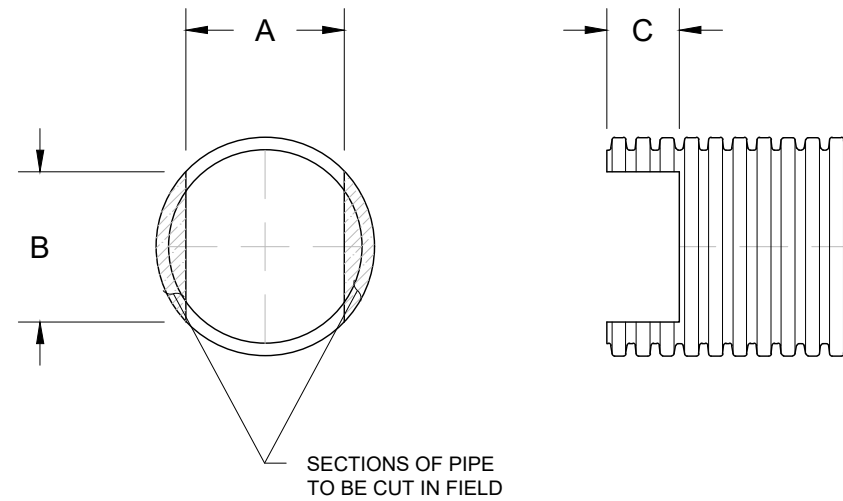
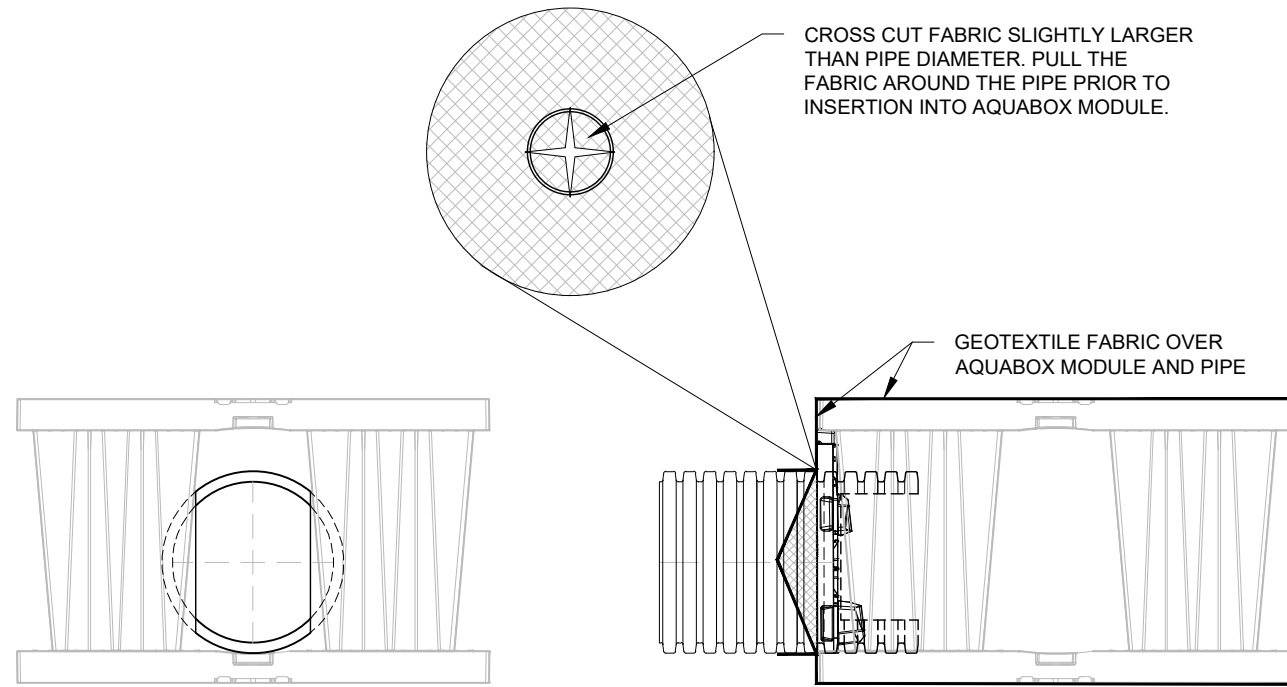


AQUABOX PIPE INSERTION DETAIL

NTS



SECTIONS OF PIPE TO BE CUT IN FIELD

PIPE SIZE	A	B	C
4" (100 mm)	-	-	5.25" (133 mm) - 8 CORRUGATIONS
6" (150 mm)	-	-	5.42" (138 mm) - 7 CORRUGATIONS
8" (200 mm)	7.75" (197 mm)	4.75" (121 mm)	5.76" (146 mm) - 6 CORRUGATIONS
10" (250 mm)	7.25" (184 mm)	8.75" (222 mm)	5.00" (127 mm) - 4 CORRUGATIONS

NOTES: DIMENSIONS AND CORRUGATIONS ARE APPROXIMATE; CORRUGATIONS SHOULD BE CUT TO VALLEYS

PIPE INSERTION DETAIL AQUABOX

DATE: 07/09/2025 DRAWN: SMW
DRAWING #: 774-009 CHECKED: JLM

DATE	DRWN	CHKD	MIN/MAX COVER CHANGES	DESCRIPTION

Aquabox
Modular Stormwater Management System

4640 TRUEMAN BLVD
HILLIARD, OH 43026



THIS DRAWING HAS BEEN PREPARED BASED ON INFORMATION PROVIDED TO ADS/STORMTECH UNDER THE DIRECTION OF THE PROJECT'S ENGINEER OF RECORD (EOR) OR OTHER PROJECT REPRESENTATIVE. THIS DRAWING IS NOT INTENDED FOR USE IN BIDDING OR CONSTRUCTION WITHOUT THE EOR'S PRIOR APPROVAL. EOR SHALL REVIEW THIS DRAWING PRIOR TO BIDDING AND/OR CONSTRUCTION. IT IS THE ULTIMATE RESPONSIBILITY OF THE EOR TO ENSURE THAT THE PRODUCT(S) DEPICTED AND ALL ASSOCIATED DETAILS MEET ALL APPLICABLE LAWS, REGULATIONS, AND PROJECT REQUIREMENTS.