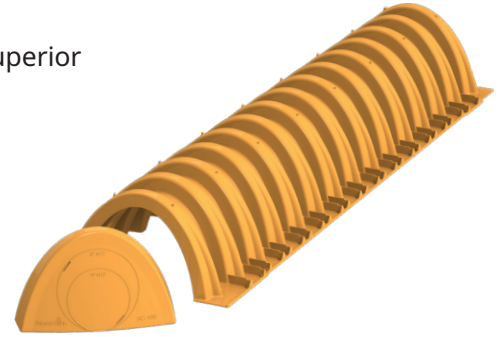


StormTech® SC-160LP Chamber

Designed to meet the most stringent industry performance standards for superior structural integrity while providing designers with a cost-effective method to save valuable land and protect water resources. The StormTech system is designed primarily to be used under parking lots, thus maximizing land usage for commercial and municipal applications. StormTech chambers can also be used in conjunction with Green Infrastructure, thus enhancing the performance and extending the service life of these practices.



The SC-160LP chamber was developed for infiltration and detention in shallow cover applications

- Only 350 mm (14") required from top of chamber to bottom of pavement
- Only 300 mm (12") tall

Nominal Chamber Specifications

(not to scale)

Size (L x W x H)

2170 mm x 635 mm x 305 mm
85.4" x 25" x 12"

Chamber Storage

0.19 m³ (6.85 ft³)

Min. Installed Storage*

0.42 m³ (15.0 ft³)

Weight

10.9 kg (24.0 lbs)

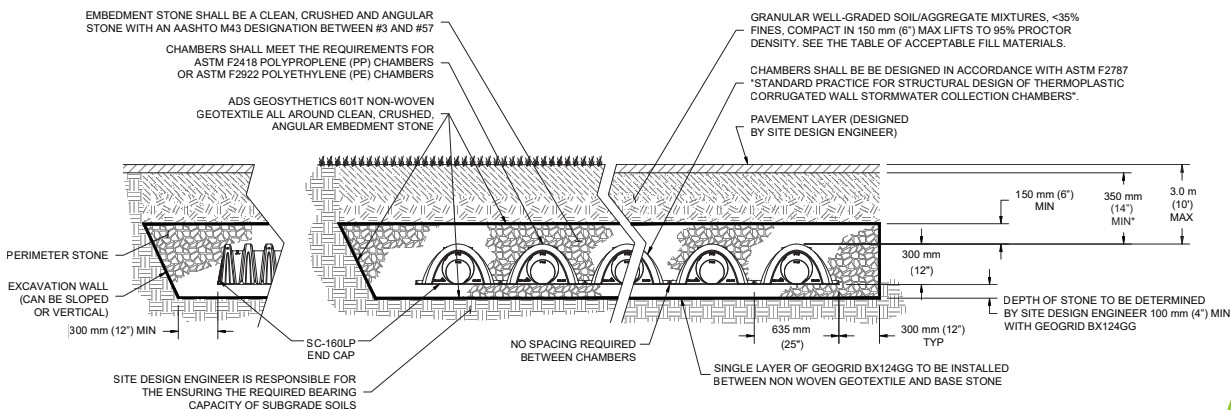
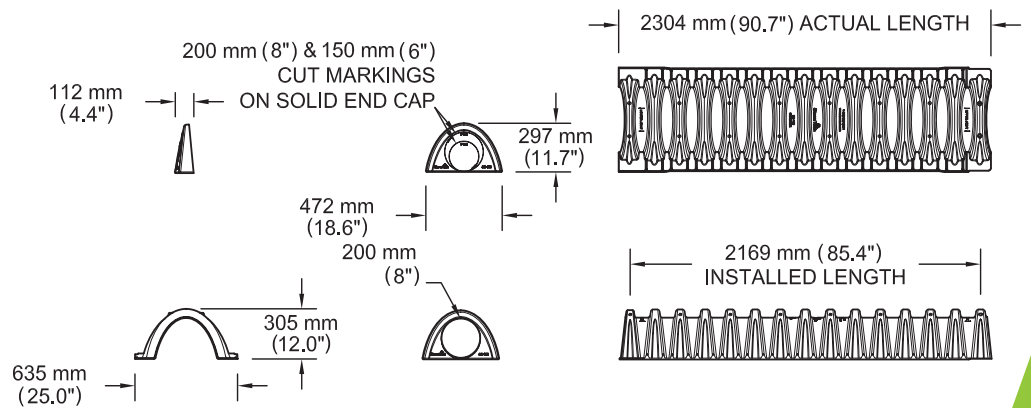
Shipping

132 chambers/pallet

144 end caps/pallet

12 pallets/truck

*Assumes 150 mm (6") stone above, 100 mm (4") below and stone between chambers with 40% stone porosity.



*MINIMUM COVER TO BOTTOM OF FLEXIBLE PAVEMENT. FOR UNPAVED INSTALLATIONS WHERE RUTTING FROM VEHICLES MAY OCCUR, INCREASE COVER TO 510 mm (20").

StormTech SC-160LP Specifications

Cumulative Storage Volumes Per Chamber

Assumes 40% Stone Porosity. Calculations are Based Upon a 100 mm (4") Stone Base Under Chambers.

Depth of Water in System Millimeters (in)	Cumulative Chamber Storage m ³ (ft ³)	Total System Cumulative Storage m ³ (ft ³)
559 (22)	0.194 (6.85)	0.424 (14.98)
533 (21)	0.194 (6.85)	0.410 (14.49)
508 (20)	0.194 (6.85)	0.396 (14.00)
483 (19)	0.194 (6.85)	0.382 (13.50)
457 (18)	0.194 (6.85)	0.368 (13.01)
432 (17)	0.194 (6.85)	0.354 (12.51)
406 (16)	0.194 (6.85)	0.340 (12.02)
381 (15)	0.193 (6.80)	0.325 (11.49)
356 (14)	0.189 (6.67)	0.309 (10.92)
330 (13)	0.181 (6.38)	0.290 (10.25)
305 (12)	0.168 (5.94)	0.269 (9.49)
279 (11)	0.153 (5.40)	0.246 (8.67)
254 (10)	0.135 (4.78)	0.221 (7.81)
229 (9)	0.116 (4.10)	0.196 (6.91)
203 (8)	0.095 (3.36)	0.169 (5.97)
178 (7)	0.073 (2.58)	0.142 (5.01)
152 (6)	0.050 (1.76)	0.114 (4.02)
127 (5)	0.025 (0.89)	0.085 (3.01)
102 (4)	0 (0)	0.056 (1.98)
76 (3)	0 (0)	0.042 (1.48)
51 (2)	0 (0)	0.028 (0.99)
25 (1)	0 (0)	0.014 (0.49)

Note: Add 0.014 m³ (0.49 ft³) of storage for each additional 25.4 mm (1") of stone foundation.

Amount of Stone Per Chamber

Metric Kilograms (m ³)	Stone Foundation Depth		
	100 mm	150 mm	200 mm
SC-160LP	652 (0.7)	1074 (0.8)	1197 (0.8)
English Tons (yds ³)	4"	8"	8"
SC-160LP	1.1 (0.8)	1.2 (0.9)	1.3 (0.9)

Note: Assumes 150 mm (6") of stone above and only embedment stone between chambers.

Volume Excavation Per Chamber m³ (yd³)

	Stone Foundation Depth		
	100 (4)	200 (8)	300 (12)
SC-160LP	1.1 (1.4)	1.2 (1.6)	1.3 (1.8)

Note: Assumes no row separation and 350 mm (14") of cover. The volume of excavation will vary as depth of cover increases.

Working on a project?

Visit us at <https://adspipe.ca/water-management-solutions/retention> and utilize the Design Tool

