

Tomorrow's Drainage System Today

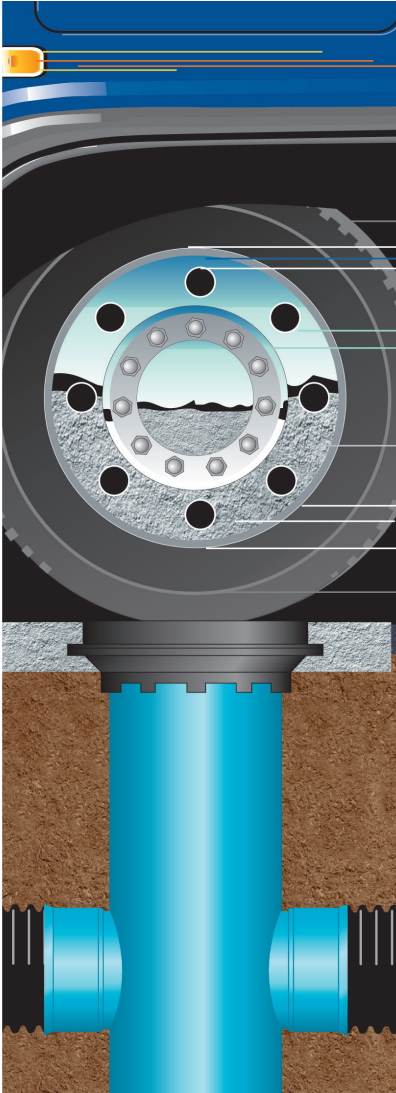


Table of Contents

About Nyloplast®	2
Nyloplast Drainage Structures	3
Drain Basins, Curb Inlet Structures	4
Road & Highway Structures, Weir Structure	5
Inline Drains, Universal Inline Drains	6
Grate Options	7-8
Accessories: Inserta Tee® & Sump Insert,	9
Accessories: Envirohood® Structure & FlexStorm® Inlet Protection	10
Do-it-Yourself Drain Basin Configurator	11

About Nyloplast

Nyloplast specializes in the development, manufacture and sale of PVC plastic structures for the stormwater capture market. We serve the commercial, industrial, landscaping, government, general sport/recreation, golf course and other markets with a full line of custom fabricated heavy-duty road & highway structures, curb inlet structures, drain basins, inline drains and drop-in grates.

Nyloplast Structures represent the latest in stormwater inlet technology. Their innovative combination of performance proven ductile iron grates with a rugged, heavy-duty PVC structure makes them unique in the surface drainage field.

At Nyloplast, we have seen the enormous cost of rebuilding yesterday's infrastructure, as metal and concrete systems complete their often limited service life. Today, the engineered plastic system is a reality, providing better hydraulic performance, extended service life, and cost efficiencies in installation and maintenance costs. Tomorrow, you will continue to see new products and applications from Nyloplast, the leader in drainage systems.

Stormwater Treatment Products

We also have a full line of inserts and inlet protection devices designed to improve water quality as part of the National Pollution Discharge Elimination System (NPDES) and EPA Phase II standards.



Manufactured in compliance with ASTM F3778, Nyloplast fabricated PVC basins deliver dependable quality, watertight performance, and long-lasting durability for stormwater infrastructure.

Drainage Structures 8”-36” (200-900 mm) Diameter

Nyloplast drainage structures are custom built for each application. Our PVC products are more durable and corrosion resistant than precast basins. With a faster installation, lower installed cost, and great field and project support teams, Nyloplast is the clear choice for your drainage needs.

Applications



Commercial



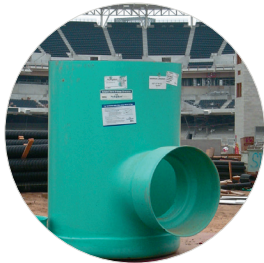
Government



Road & Highway



Schools



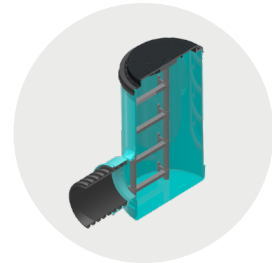
Parks & Recreational



Golf Courses



Residential



Access

Features & Benefits



Watertight Joint

- Avoid premature degradation of infrastructure by preventing erosion of surrounding soil
- Control exfiltration & infiltration to avoid potential contamination



Consistent supply

- Delivery of custom, watertight basin within 5-7 days of initial order



Lightweight/Easy Handling

- Installs 3-4 times faster than precast structures
- Safer to install - less chance of injury from heavy concrete structures
- Does not require heavy equipment to handle or install
- Easy to transport



Water quality features may be added

- Basins are factory built and delivered ready to install
- Control the quality & quantity of stormwater to meet a wide variety of project specifications with built-in weirs, EnviroHood™, inlet filters, valves, orifices and much more



Size-on-size pipe-to-basin connections

- Allows pipe structures to be downsized based on pipe network to save time, money & space, while matching designed inlet flow



Field adaptability options

- Structures may be modified on site to meet field conditions
- Allows for stocking & same day pick-up



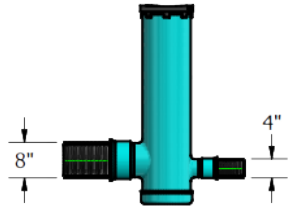
Wide selection of grates

- Utilize in variety of applications
- Connect to any domestic casting

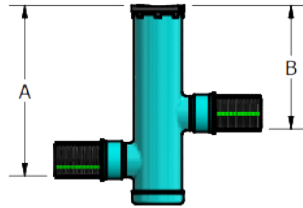
Drain Basins

Nyloplast Drain Basins are used as a stormwater collection point where one or more drain lines converge. Nyloplast basins can provide a transition between different sizes and types of pipe and change the elevation or direction of the pipe. Basins offer size-on-size pipe to basin connections, which reduce excavation, storage, weight and allow for faster and more economical installations over traditional precast.

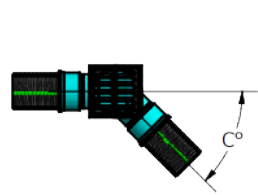
When are Drain Basins Used?



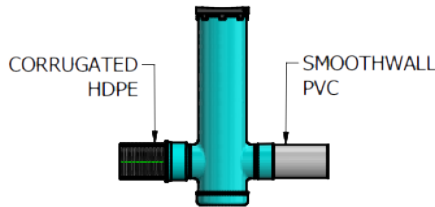
Change Diameter



Change Elevation



Change Direction

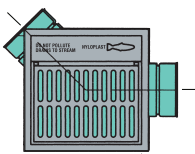


Change Pipe



Curb Inlet Structures

Nyloplast Curb Inlet Structures include all the advantages of our drain basins and fit drainage pipe up to 30". The curb inlet hoods have a "do-not-pollute" message, and are fully adjustable—as is the grate position—to make installation easier.



TOP VIEW



Curb Inlet 24" x 24" (600 x 600 mm) Standard Grate



Curb Inlet 24" x 24" (600 x 600 mm) Diagonal Flow Grate



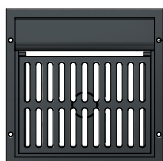
Curb Inlet 24" x 36" (600 x 900 mm) Vane Grate



Curb Inlet 24" x 36" (600 x 900 mm) Diagonal Flow Grate

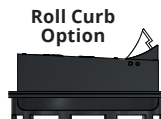


Double Curb Inlet

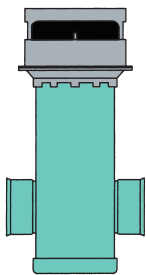


Field Frame Adjustment

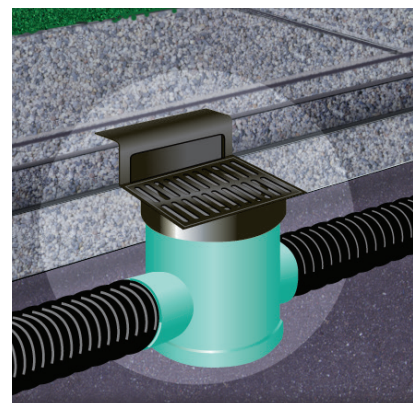
Field Hood Adjustment



Roll Curb Option

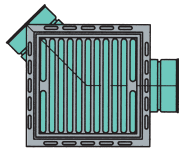


SIDE VIEW

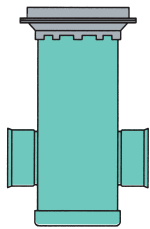


Road & Highway Structures

Nyloplast Road & Highway Structures offer all of the Nyloplast product benefits such as heavy-duty construction, easy, economical installation and a watertight system. Plus, our H-20 rated ductile iron grates provide maximum strength for traffic applications.



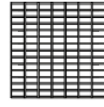
TOP VIEW



SIDE VIEW



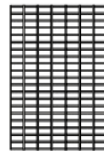
Road & Hwy.
24"x 24"
(600 x 600 mm)
Square Grate



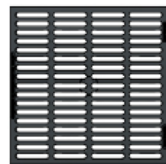
Road & Hwy.
24"x 24"
(600 x 600 mm)
Steel Bar Grate
& Frame



Road & Hwy.
24"x 36"
(600 x 900 mm)
Rectangular
Grate



Road & Hwy.
24"x 36"
(600 x 900
mm)Steel Bar
Grate & Frame



Road &
Hwy. 3'x 3'
Square Grate

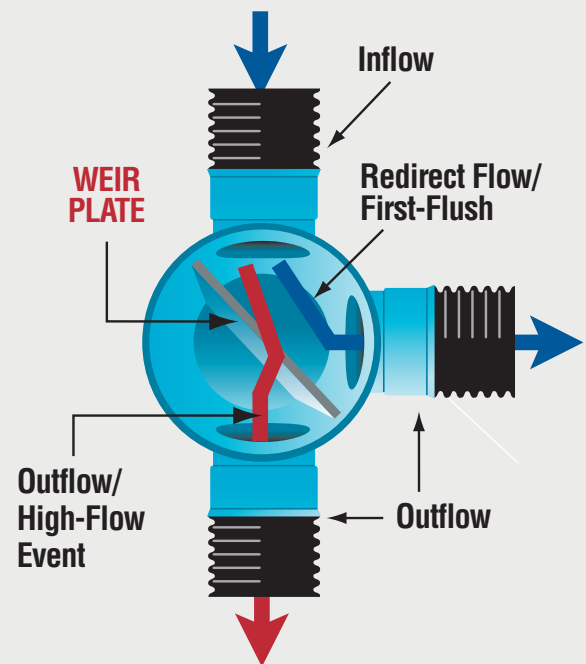
Basin Accessory: Weir Structure

How the Weir Structure Works:

- Stormwater flows into the Nyloplast catch basin structure.
- The water flow is diverted to a desired outlet from the catch basin, typically to a water quality device, in order to effectively capture pollutants during the "first flush" of a storm event.
- The Weir Structure may also serve to restrict or regulate the flow of water exiting the drainage system. The restriction is determined by height of the weir and/ or the size of the orifice hole in the weir plate.

Weir Structure Benefits:

- Simple and effective method to direct the inlet flow into a stormwater management system or water quality device.
- Simple and effective method to regulate outlet flow from a stormwater management system.
- Enhances ability of a water quality device to capture pollutants from storm event.
- Re-direct water flow during a high-flow event.
- Nyloplast can customize Weir Structures to provide a variety of weir functions for site-specific needs, including "key way slot" and "v-notch" weir designs, and high flow or low flow orifice hole designs to further regulate the flow of storm water.

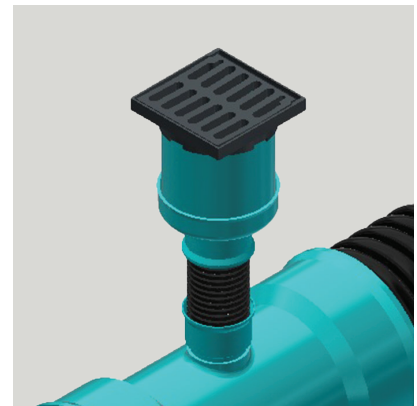
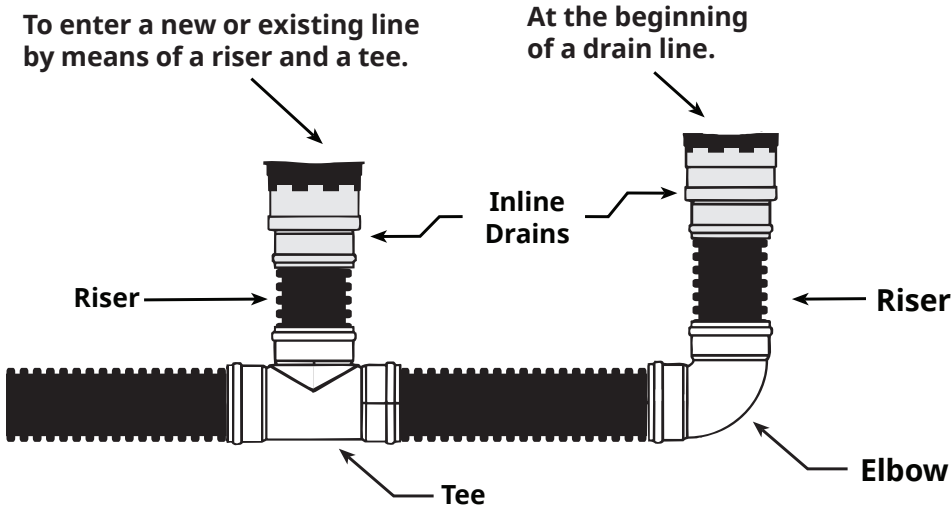


Inline Drains

Nyloplast Inline Drains are designed to enter an existing line with a riser and tee or for use at the beginning of a drain line.

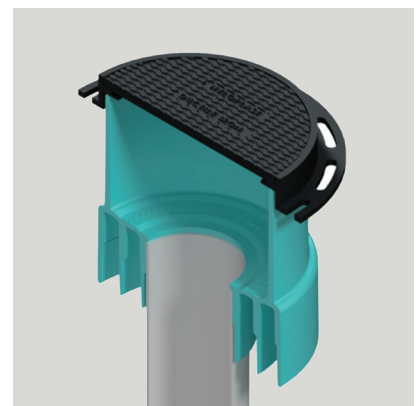
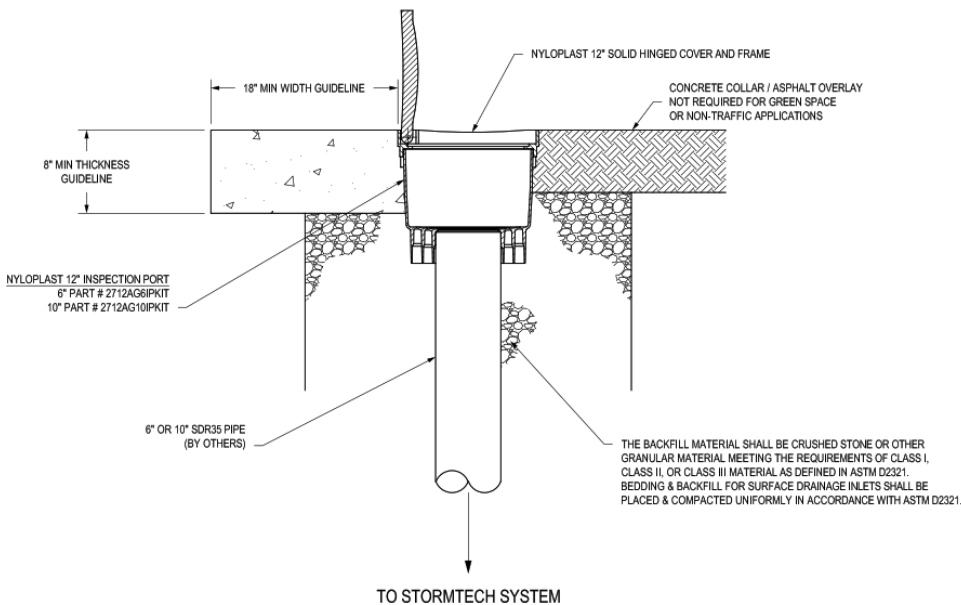
When are Inline Drains Used?

Inline Drains allow you to match inlet capacity to pipe capacity, reducing cost of riser pipe.



Universal Inline Drains

The universal inline drain is designed for contractors seeking a durable and water-tight pipe fitting for stormwater inlets. Common applications include commercial settings, academic institutions, sports and turf fields, big box retail and grocery, multi-family and mixed-use development projects, warehouses, and large manufacturing plants.



Grate Options

Nyloplast has a full line of grates for any application. Nyloplast basins connect to any type of grate. Nyloplast provides inlet capacity and sizing calculations to meet project site demands.



Weight Load and Site Requirements

- H-20 Traffic Rated Grates
- H-10 Medium-Duty Grates
- H-20 Solid Covers
- Bronze Grates
- Domed Grates
- Drop-in Grates
- ADA Compliant Grates
- Road & Highway Castings
- Curb Inlets

Ductile Iron Grates conform to the following ASTM standard:
ASTM A536 grade 70-50-05 for ductile iron.

Grate Marker

Public education and outreach is part of the NPDES requirement. Storm drain marking is an established method of involving the public and increasing community awareness about nonpoint source pollution. Many Nyloplast castings come with a recessed area on the grate designed to accommodate these grate markers. Nyloplast keeps inventory of only the featured marker shown at right, however, other markers may be purchased in 100 piece lots as custom orders. Call for details.

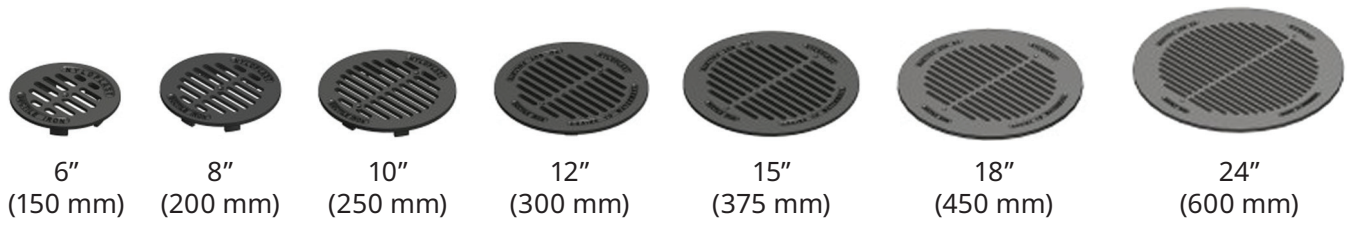


LOCKING OPTION IS AVAILABLE FOR MOST GRATES

All grate options are available for drain basins and inline drains.

Grate Options

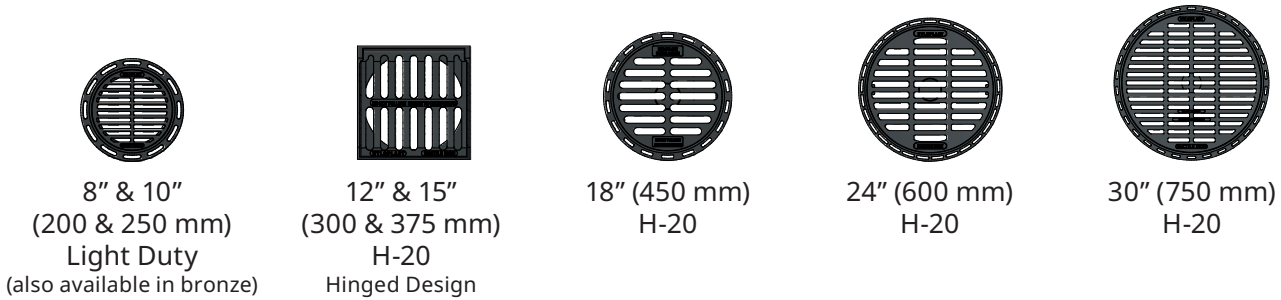
Drop-In Grates



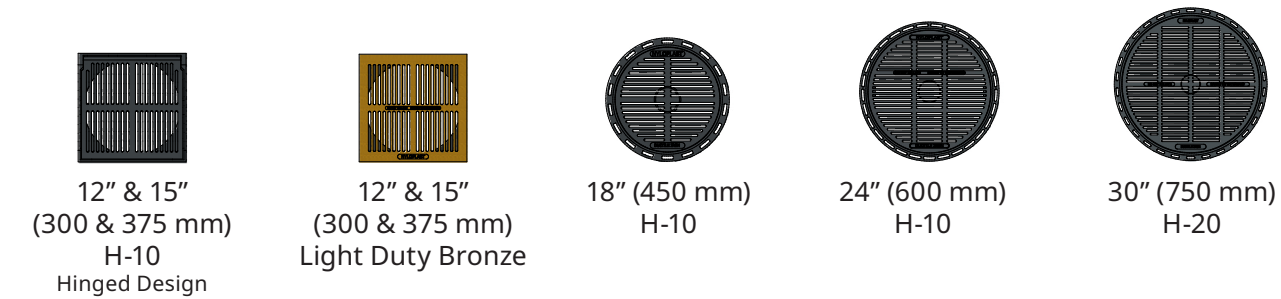
Domed Grates



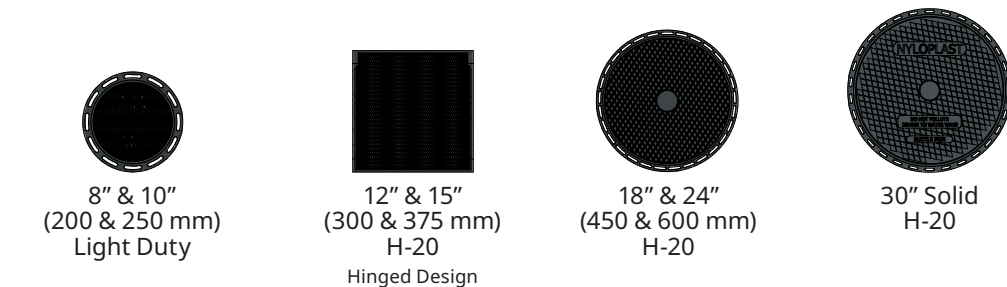
Standard Grates



Pedestrian Grates



Solid Cover Grates



Accessories

Inserta Tee®

Inserta Tee is a three-piece service connection consisting of a PVC Hub, Rubber Sleeve and Stainless Steel Band. Inserta Tee is compression fit into the cored wall of a mainline and requires no special tooling. Inserta Tees are designed to connect to 2"-30" (50-750 mm) services to all known solid wall, profile, closed profile and corrugated pipe manufactured today.

Nyloplast basin can incorporate Inserta Tee or Add-A-Branch™ to allow for reliable lateral field connections. Inserta Tee Basins are available in all diameters from 8"-36" (200-900 mm).



Rubber Sleeve



Stainless Steel Band



Gasketed PVC Hub

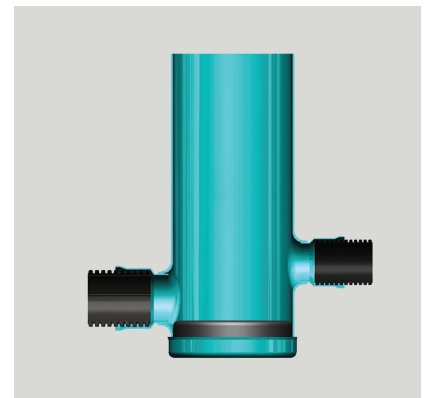
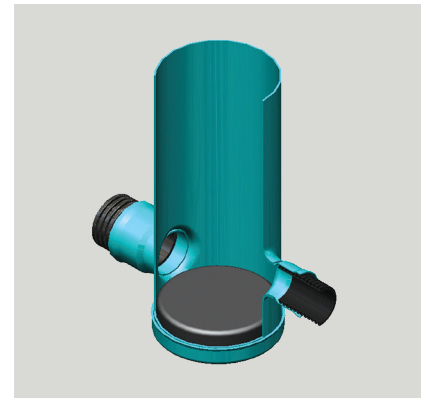
Features & Benefits

- Inserta Tee meets ASTM D3212
- Round structure allows multiple angles for lateral connections
- One to two people can handle basin easily in the field
- Installs in ¼ to ½ the time of concrete basins

Sump Insert

Nyloplast offers a Sump Insert accessory that will allow our drain basins to be manufactured without a sump. This new component is the first of its kind in the industry and is designed to direct inlet water to the lowest outlet by filling in the area where the sump would normally be present.

The Sump Insert eliminates the concern of sitting water in the drain basin, thus eliminating concerns of bacterial growth and pests such as mosquitoes. This product can only be installed during production of 12"-30" (300-750 mm) diameter drain basins. The shell of the Sump Insert is made from polyethylene, which is corrosion and abrasion resistant, and is completely sealed.



Part Number	Basin Diameter
3812AGSI	12" (300 mm)
3815AGSI	15" (375 mm)
3818AGSI	18" (450 mm)
3824AGSI	24" (600 mm)
3830AGSI	30" (750 mm)

Accessories

EnviroHood Structure

EnviroHood is a stormwater management device attached to the inside of a catch basin or manhole designed to prevent the outflow of floating debris and oil.

The need for cleaner stormwater has caused municipal leaders to demand forward-thinking solutions to improve their overall water quality. EnviroHood offers lower installed costs and less intrusive installations than competitive devices.

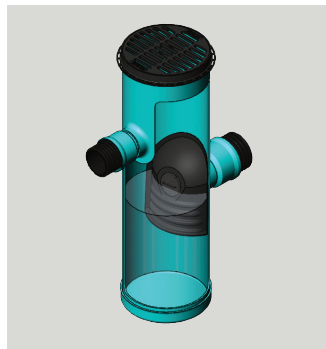
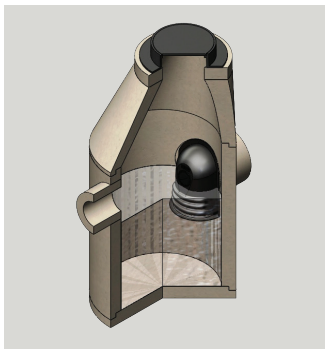
The innovative design incorporates the same proven corrugation technology used on ADS N-12® pipe products. This delivers maximum strength to weight ratio and ensures the structure is capable of supporting the hydraulic forces of a rainfall event.

Features & Benefits

- Molded from HDPE for lightweight & sturdy design
- Corrugated design eliminates flat surfaces and provides increased structural capacity
- Effective low-cost solution for storm water treatment
- Easy to clean
- Highly corrosion-resistant for long service life

How to order

- Size of basin must be 18" (450 mm), 24" (600 mm) or 30" (750 mm)
- Number of stubs
- Contact Nyloplast for EnviroHood and weir minimum angles (standard chart does not apply)
- Must have part number and price on individual line on order
- EnviroHood should be ordered on the specific EnviroHood order form.
- Part number specifies the size of stub, but should also be notated on the drawing/order form, and must signify which stub will accept the EnviroHood



FlexStorm Inlet Protection

FlexStorm Lite™ and FlexStorm Pure™ inlet filters are the preferred choice for stormwater runoff control. FlexStorm Lite is a temporary and re-usable solution to use during construction, while FlexStorm Pure provides permanent inlet protection. Both FlexStorm Lite and FlexStorm Pure comply with ASTM D8057 standard specification for inlet filters with a rigid frame and are configured to fit into any drain structure.



Applications

- Roadway construction
- Commercial developments
- Car washes
- Maintenance
- Residential developments
- Gas stations
- Parking lots
- Industrial
- Dock drains
- Loading ramps

Features & Benefits

- Frames configured to fit Nyloplast storm drainage structure
- Works below grade with bypass to drain area if the bag is full or in a heavy rain event
- Installed and maintained by one worker, without additional equipment
- Reduces jobsite flooding and keeps projects running
- Rigid frame supports itself on ledge, even when grate is removed, and bag is full
- Prevents siltation and pollution of rivers, lakes, and ponds



*National Pollutant Discharge Elimination System

Do-it-Yourself Drain Basin Configurator

The Drain Basin Configurator design program automatically designs a Nyloplast drain structure quickly and easily online. Entering basic design or plan page information enables the proprietary software to customize a basin for any project. Input sections include type of pipe, basin diameter and details for each branch, including diameter, angle and invert height. Any miscalculations are avoided as the program automatically guides you to the correct measurement(s). The program then provides a shop drawing and downloadable product detail that can be immediately ordered or saved in the user's private account.

Features & Benefits



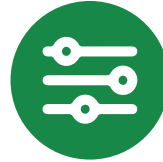
Automatic design is quick, easy and customizable for any project



Online accounts can store multiple projects to order or save for a later date



Submit to order button for faster, accurate order processing



Option for blank basins using Add-A-Branch or Inserta-tee for pipe connections



Expanded grate options including our new 36" x 36" (900 x 900 mm) grate and curb grates



Design basins with internal stainless steel wear plates and/or Envirohood accessory



Basin and accessory part codes added to shop drawings for easy reference



Products arrive on the job site ready to install

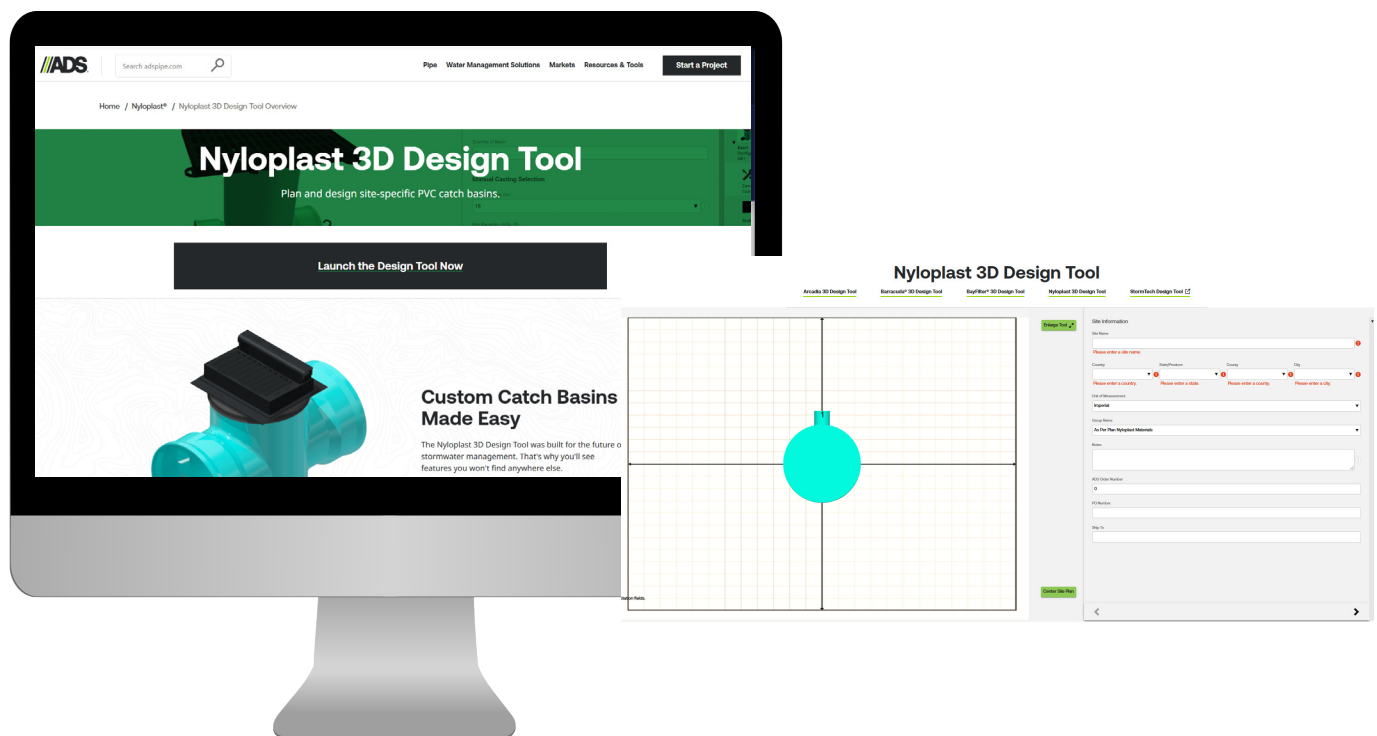


Installation is quick, safe and simple



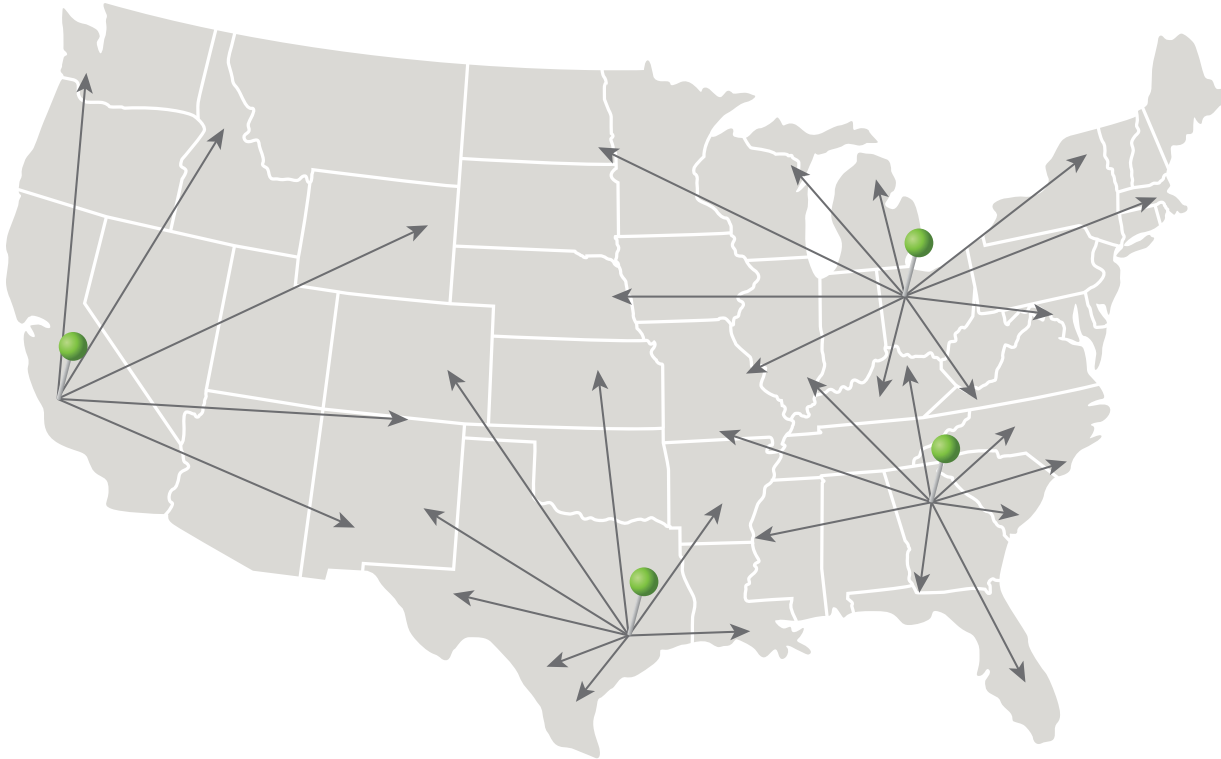
Minimal labor contributes to immediate cost savings all around

The Drain Basin Configurator can be found at adspipe.com, or at basinconfigurator.com



STRATEGIC SHIPPING LOCATIONS

The strategic location of our manufacturing facilities in Buford, GA, Bakersfield, CA, Findlay, OH and Hempstead, TX make for fast arrival just about anywhere in North America. In fact, once you've worked with our products and experienced our service, we're confident you'll be impressed.



adspipe.com

ADS "Terms and Conditions of Sale" are available on the ADS website, www.adspipe.com
The ADS logo, N-12®, Inserta Tee®, FlexStorm®, FlexStorm® Lite™ and FlexStorm® Pure™, Nyloplast®, EnviroHood® and the Green Stripe are registered trademarks of Advanced Drainage Systems, Inc.
© 2026 Advanced Drainage Systems, Inc. NP109 4/26 CS

