

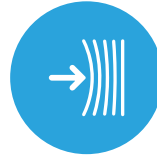
# Nyloplast<sup>®</sup> Drain Basins

Basins are used as a collection point where one or more drain lines converge. They can provide a transition between different sizes and types of pipe and change the elevation or direction of the pipe.



## Watertight connection

Structures are shipped with rubber gaskets to ensure a watertight connection. This prevents the soil infiltration that plagues precast structures and prevents long-term settlement around the basin.



## Flexible resilient connection

Flexible connections allow minor movement to take place without compromising the structural or watertight integrity of the basin. With Nyloplast, you can connect and backfill immediately.



## Quick, easy and inexpensive installation

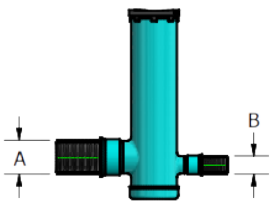
The product is lightweight and easily handled which translates into safer and faster installation with less equipment and personnel, which results in a lower total cost.



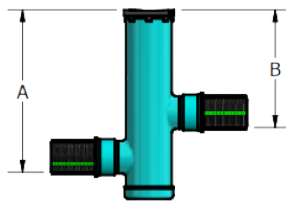
## Field Adjustments

Add-a-Branch™ kits are a quick and cost-effective way to connect lateral pipes to drain basins in the field when unknown variables may be expected or encountered.

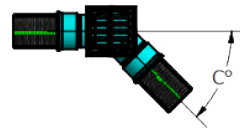
When are drain basins used?



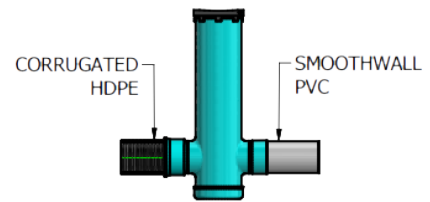
Change Diameter



Change Elevation



Change Direction

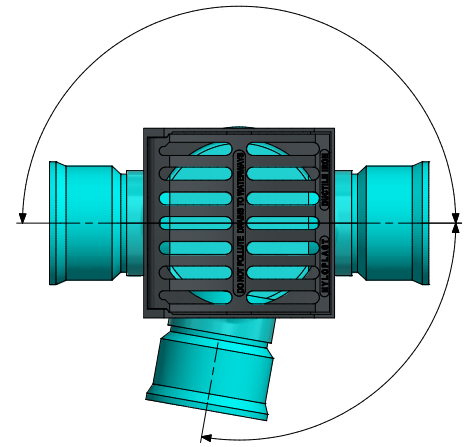


Change Pipe Type



# Building a Drain Basin Body

Part Number	Product Description	Available Outlets
2808AG__	8" (200 mm) Custom Basin	4"-8" (100-200 mm)
2810AG__	10" (250 mm) Custom Basin	4"-10" (100-250 mm)
2812AG__	12" (300 mm) Custom Basin	4"-12" (100-300 mm)
2815AG__	15" (375 mm) Custom Basin	4"-15" (100-375 mm)
2818AG_	18" (450 mm) Custom Basin	4"-18" (100-450 mm)
2824AG__	24" (600 mm) Custom Basin	4"-24" (100-600 mm)
2830AG__	30" (750 mm) Custom Basin	4"-30" (100-750 mm)
2836AG__	36" (900 mm) Custom Basin	4"-36" (100-900 mm)



28 08 AG \_\_

- "28" is our standard drain basin series. Includes all round grate options
- The next two numbers represent the basin body diameter
- AG is the product code for Drain Basins
- The second set of numbers is the overall height of the drain basin in foot increments 3 , 5, 7, 10

Drain Basins connect to these common pipe types: ADS N-12, ADS HP, PVC SCH.40, SCH.80, PVC. If pipe type does not fit any of these please note type of pipe and outside diameter of pipe and call Nyloplast at 1-800-821-6710 for technical assistance.

Manufactured in compliance with ASTM F3778, Nyloplast fabricated PVC basins deliver dependable quality, watertight performance, and long-lasting durability for stormwater infrastructure.



adspipe.com