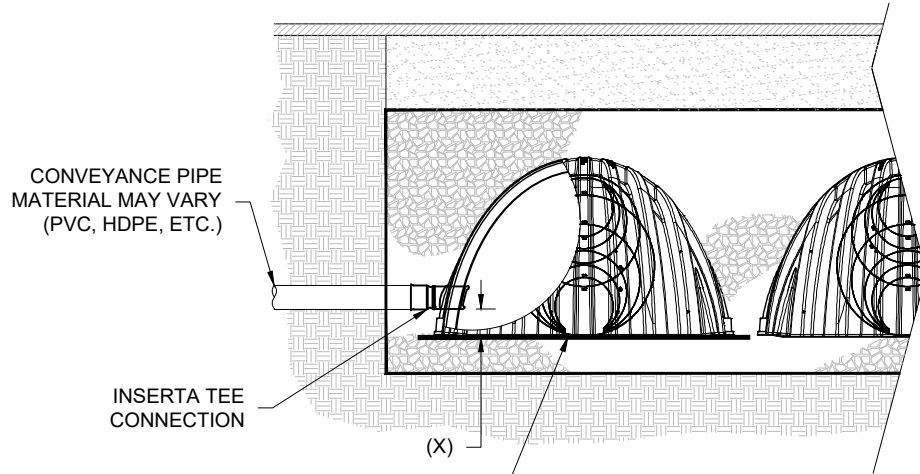


## INSERTA TEE DETAIL

NTS

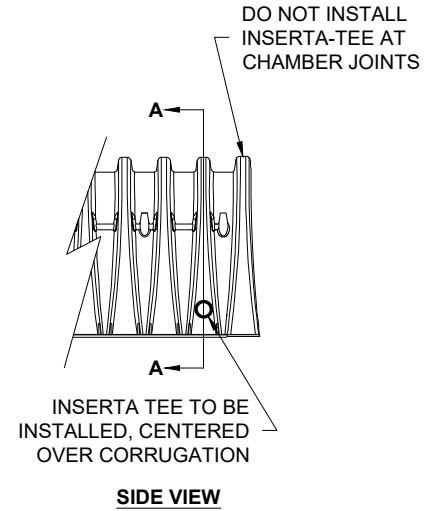


**SECTION A-A**

PLACE ADSPLUS WOVEN GEOTEXTILE (CENTERED ON INSERTA-TEE INLET) OVER BEDDING STONE FOR SCOUR PROTECTION AT SIDE INLET CONNECTIONS. GEOTEXTILE MUST EXTEND 150 mm (6") PAST CHAMBER FOOT

**NOTES:**

- PART NUMBERS WILL VARY BASED ON INLET PIPE MATERIALS. CONTACT STORMTECH FOR MORE INFORMATION.
- CONTACT ADS ENGINEERING SERVICES IF INSERTA TEE INLET MUST BE RAISED AS NOT ALL INVERTS ARE POSSIBLE.



**SIDE VIEW**

CHAMBER	MAX DIAMETER OF INSERTA TEE	HEIGHT FROM BASE OF CHAMBER (X)
SC-310	150 mm (6")	100 mm (4")
SC-800	250 mm (10")	100 mm (4")
DC-780	250 mm (10")	100 mm (4")
MC-3500	300 mm (12")	150 mm (6")
MC-4500	300 mm (12")	200 mm (8")
MC-7200	300 mm (12")	200 mm (8")
INSERTA TEE FITTINGS AVAILABLE FOR SDR 26, SDR 35, SCH 40 IPS GASKETED & SOLVENT WELD, N-12, HP STORM, C-900 OR DUCTILE IRON		

**INSERTA TEE SIDE INLET DETAIL**  
**STORMTECH**

DATE: 08/04/25 DRAWN: SMW  
DRAWING #: 720-020 C CHECKED: JLM

THIS DRAWING HAS BEEN PREPARED BASED ON INFORMATION PROVIDED TO ADS/STORMTECH UNDER THE DIRECTION OF THE PROJECTS ENGINEER OF RECORD (PE) OR OTHER PROJECT REPRESENTATIVE. THIS DRAWING IS NOT INTENDED FOR USE IN BIDDING OR CONSTRUCTION WITHOUT THE EGRS PRIOR APPROVAL OR SHALL REVIEW. THIS DRAWING PRIOR TO BIDDING AND/OR CONSTRUCTION IS THE ULTIMATE RESPONSIBILITY OF THE EGR TO ENSURE THAT THE PRODUCT(S) DEPICTED AND ALL ASSOCIATED DETAILS MEET ALL APPLICABLE LAWS, REGULATIONS, AND PROJECT REQUIREMENTS.

4640 TRUEAMAN BLVD  
HILLIARD, OH 43026

