

# EZsnap<sup>®</sup>

## Risers

The EZsnap riser is designed to create an easy-to-assemble watertight riser system for septic tanks, pump tanks, and cisterns.

The EZsnap Riser features click and lock technology eliminating the need for assembly tools, sealant/caulk and hardware. The 24" diameter EZsnap Riser is available in 2", 6" and 12" tall sections that nest together making for efficient storage and shipping.

### 2, 6 & 12 Inch Riser System Available in Black or Green

- A. 24" x 2" Risers (SNAPRIS-2402)
- B. 24" x 6" Risers (SNAPRIS-2406)
- C. 24" x 12" Risers (SNAPRIS-2412)
- D. 24" Lids (IMLID-2400)
- E. 24" Adapter Rings (SNAPAR-2400-2)
- F. 24" Safety Star (SNAPSAFT-2400)
- G. 24" Adapter Flange (ADF-2400)



### Benefits

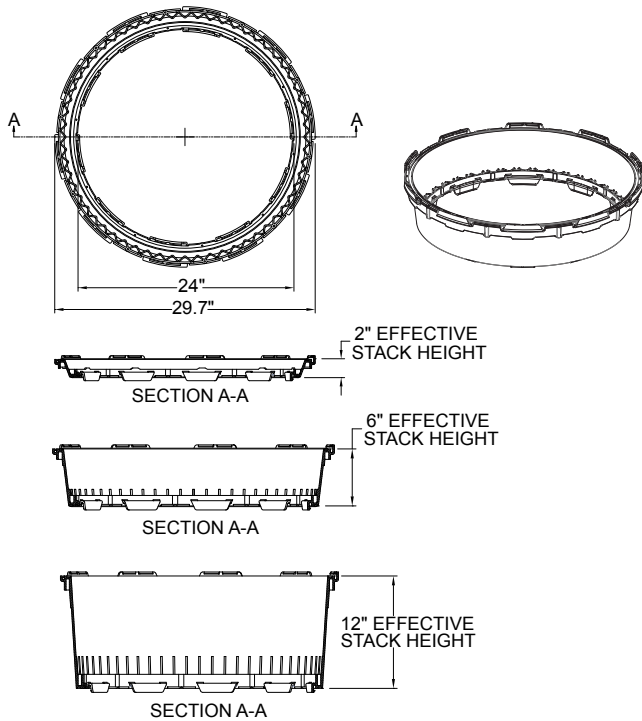
- Easy to Assemble
- No Tools or Adhesive
- Watertight – Gasketed Connection
- Nest Together for Efficient Shipping
- Available in 2, 6 and 12 Inch Heights
- Strong, Durable, Polypropylene Construction
- Secondary Safety Lid System

### WATERTIGHT GASKET TO GASKET CONNECTION

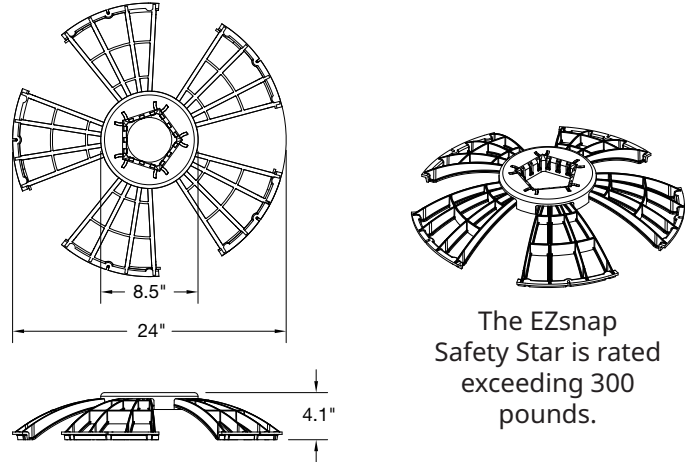


# EZsnap Riser System Sizes and Specifications

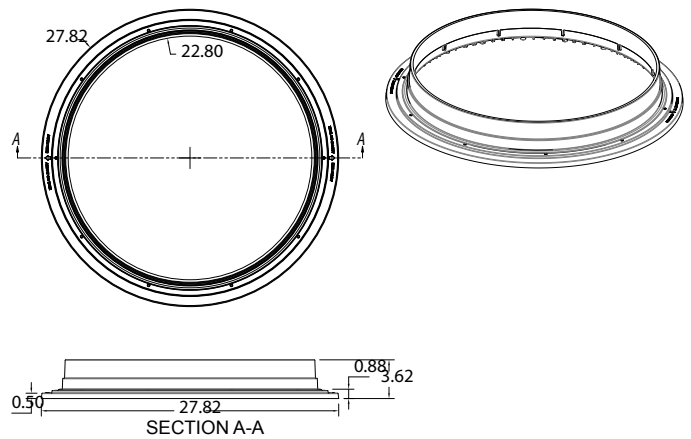
## EZsnap Riser Specifications



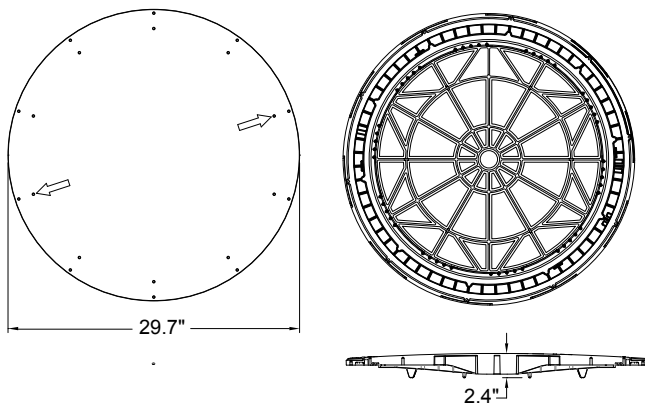
## EZsnap Safety Star Specifications



## EZsnap Pipe Adapter Ring

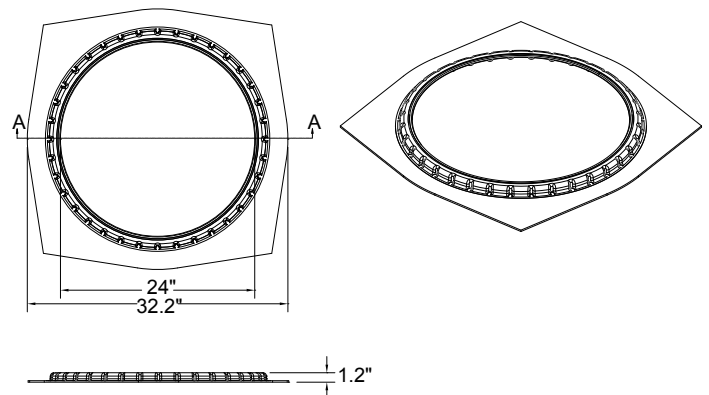


## EZsnap 12" Lid Specifications



**NOTE:** A minimum 6-inch (150-mm) depth of suitable soil must be placed over the top of the tank. The balance of backfill placed to finish grade above the tank may be either suitable or unsuitable soil.

## EZSnap Adapter Flange Specifications



Contact Infiltrator's Technical Services Department for assistance at 1-800-221-4436 or [info@infiltratorwater.com](mailto:info@infiltratorwater.com)