

2.5" SLOT RISER COUPLER BAND DIMENSIONS

PIPE Ø, in (mm)	H, in (mm)	O, in (mm)	F, in (mm)	W, in (mm)	A, in (mm)	PRODUCT #
6 (150)	2.00 (50)	2.38 (60)	1.00 (25)	5.00 (127)	6.94 (176)	0621DS
8 (200)				5.00 (127)	6.00 (152)	0821DS
10 (250)				5.00 (127)	5.00 (128)	1021DS
12 (300)				8.00 (203)	7.70 (195)	1221DS

6" SLOT RISER COUPLER BAND DIMENSIONS

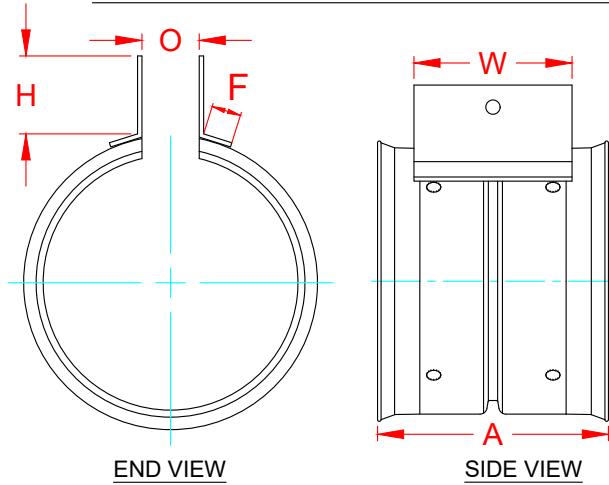
PIPE Ø, in (mm)	H, in (mm)	O, in (mm)	F, in (mm)	W, in (mm)	A, in (mm)	PRODUCT #	
6 (150)	5.50 (140)	2.38 (60)	1.00 (25)	5.00 (127)	6.94 (176)	0626DS	
8 (200)				5.00 (127)	6.00 (152)	0826DS	
10 (250)				5.00 (127)	5.00 (128)	1026DS	
12 (300)				8.00 (203)	7.70 (195)	1226DS	
15 (375)				9.00 (229)	10.40 (263)	1526DS	
18 (450)				9.00 (229)	10.70 (272)	1826DS	
24 (600)				5.00 (127)	10.00 (254)	12.60 (320)	2426DS
30 (750)					10.00 (254)	16.50 (419)	3026DS
36 (900)	10.00 (254)	21.00 (533)	3626DS				

VARIABLE SLOT RISER COUPLER BAND DIMENSIONS

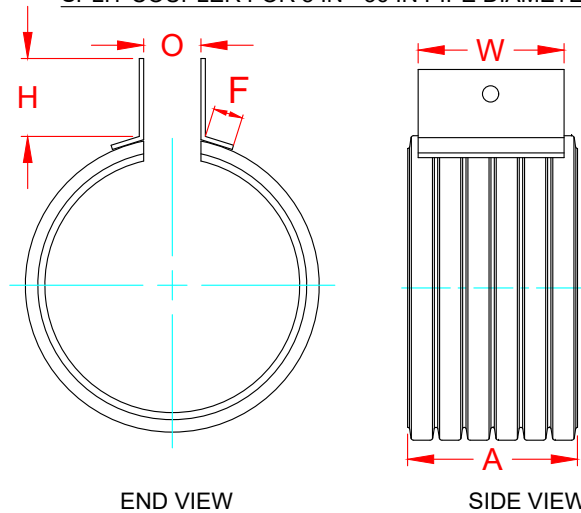
PIPE Ø, in (mm)	H, in (mm)	O, in (mm)	F, in (mm)	W, in (mm)	A, in (mm)	PRODUCT #
6 (150)	2.00 - 24.00 (50 - 610)	2.38 (60)	1.00 (25)	5.00 (127)	6.94 (176)	0691DS
8 (200)				5.00 (127)	6.00 (152)	0891DS
10 (250)				5.00 (127)	5.00 (128)	1091DS
12 (300)	2.00 - 36.00 (50 - 915)			8.00 (203)	7.70 (195)	1291DS
15 (375)				9.00 (229)	10.40 (263)	1591DS
18 (450)				9.00 (229)	10.70 (272)	1891DS
24 (600)				10.00 (254)	12.60 (320)	2491DS
30 (750)				10.00 (254)	16.50 (419)	3091DS
36 (900)				10.00 (254)	21.00 (533)	3691DS

NOTE: ALL DIMENSIONS ARE FOR REFERENCE ONLY.

BELL-BELL COUPLER FOR 6 IN PIPE DIAMETER



SPLIT COUPLER FOR 8 IN - 36 IN PIPE DIAMETER



© 2025 ADS, INC.

0	-	-	-	-
REV.	DESCRIPTION	BY	MM/DD/YY	CHK'D

ADVANCED DRAINAGE SYSTEMS, INC. ("ADS") HAS PREPARED THIS DETAIL BASED ON INFORMATION PROVIDED TO ADS. THIS DRAWING IS INTENDED TO DEPICT THE COMPONENTS AS REQUESTED. ADS HAS NOT PERFORMED ANY ENGINEERING OR DESIGN SERVICES FOR THIS PROJECT, NOR HAS ADS INDEPENDENTLY VERIFIED THE INFORMATION SUPPLIED. THE INSTALLATION DETAILS PROVIDED HEREIN ARE GENERAL RECOMMENDATIONS AND ARE NOT SPECIFIC FOR THIS PROJECT. THE DESIGN ENGINEER SHALL REVIEW THESE DETAILS PRIOR TO CONSTRUCTION. IT IS THE DESIGN ENGINEERS RESPONSIBILITY TO ENSURE THE DETAILS PROVIDED HEREIN MEETS OR EXCEEDS THE APPLICABLE NATIONAL, STATE, OR LOCAL REQUIREMENTS AND TO ENSURE THAT THE DETAILS PROVIDED HEREIN ARE ACCEPTABLE FOR THIS PROJECT.

Duraslot Coupler Band	
DRAWING NUMBER:	STD-1410A



4640 TRUEMAN BLVD
HILLIARD, OHIO 43026

DRAWN BY:	KJS
DATE:	03-26-2025
CHK'D BY:	-
SCALE:	NTS
SHEET:	1 OF 1