

PRODUCT SPECIFICATIONS

- THE STORMWATER TREATMENT UNIT SHALL BE AN INLINE UNIT CAPABLE OF CONVEYING 100% OF THE DESIGN PEAK FLOW. IF PEAK FLOW RATES EXCEED MAXIMUM HYDRAULIC RATE, THE UNIT SHALL BE INSTALLED OFFLINE.
- THE BARRACUDA UNIT SHALL BE DESIGNED TO REMOVE AT LEAST 80% OF THE SUSPENDED SOLIDS ON AN ANNUAL AGGREGATE REMOVAL BASIS. SAID REMOVAL SHALL BE BASED ON FULL-SCALE THIRD PARTY TESTING USING OK-110 MEDIA GRADATION OR EQUIVALENT AND 300 mg/L INFLUENT CONCENTRATION. SAID FULL SCALE TESTING SHALL HAVE INCLUDED SEDIMENT CAPTURE BASED ON ACTUAL TOTAL MASS COLLECTED BY THE STORMWATER TREATMENT UNIT.
 - OR-
 - THE BARRACUDA UNIT SHALL BE DESIGNED TO REMOVE AT LEAST 50% OF TSS USING A MEDIA MIX WITH $d_{50}=75$ MICRON AND 200 MG/L INFLUENT CONCENTRATION.
 - OR-
 - THE BARRACUDA UNIT SHALL BE DESIGNED TO REMOVE AT LEAST 50% OF TSS PER PREVIOUS 2013 NJDEP/NJCAT HDS PROTOCOL.

BARRACUDA MAX S6		
	CFS	L/s
NJDEP (50% Removal)	3.40	96.3
OK-110 (80% Removal)	3.42	96.8

**BARRACUDA MAX S6
WITH TRASH SCREEN
STANDARD DETAIL**

DATE: 09/06/24 DRAWN: JLM
DRAWING #: 531-611 CHECKED: SMW

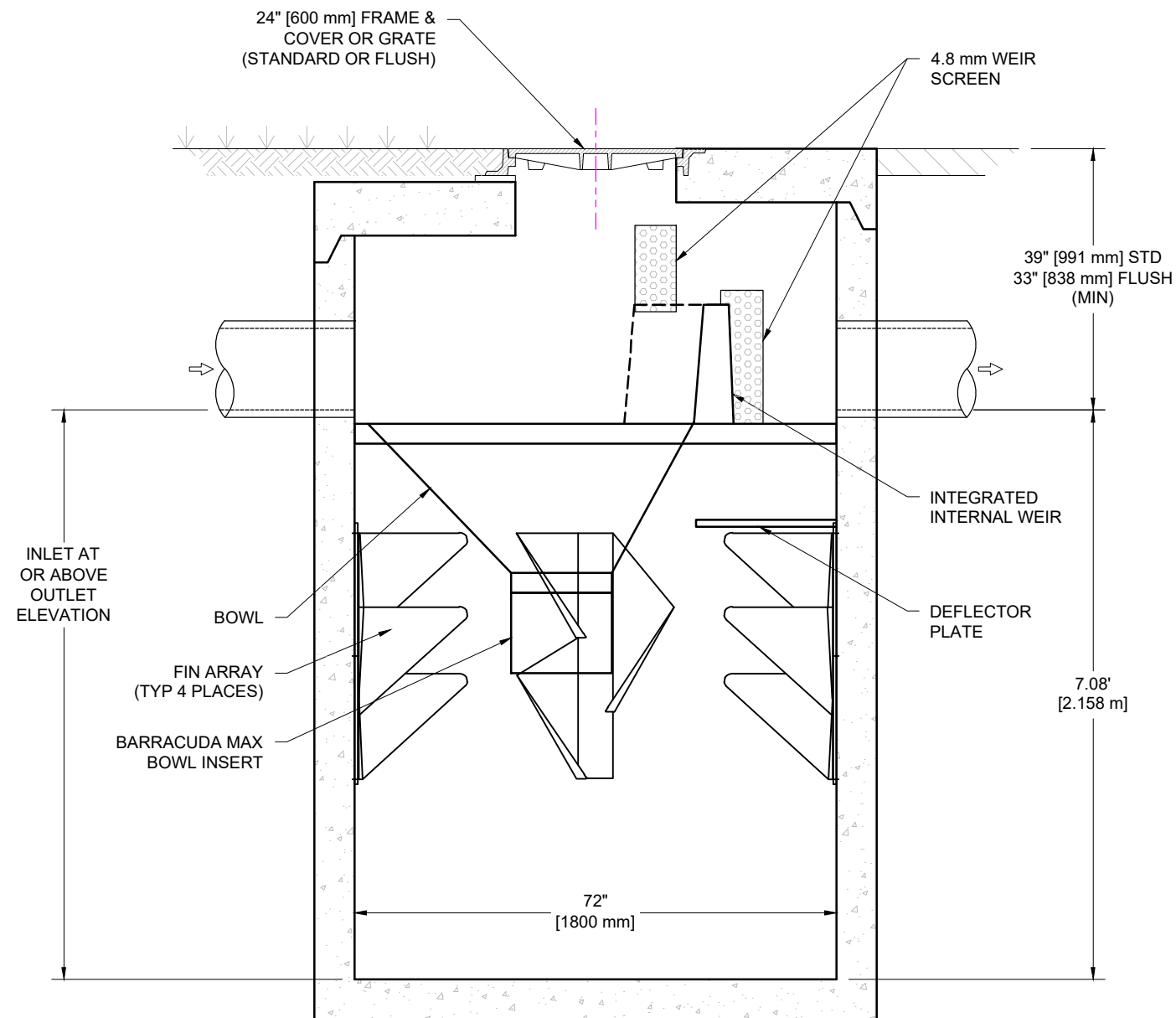
DATE	DRWN	CHKD	AT	LID LEADER	DESCRIPTION
04/02/25	JLM				

Barracuda Max
Stormwater Separator

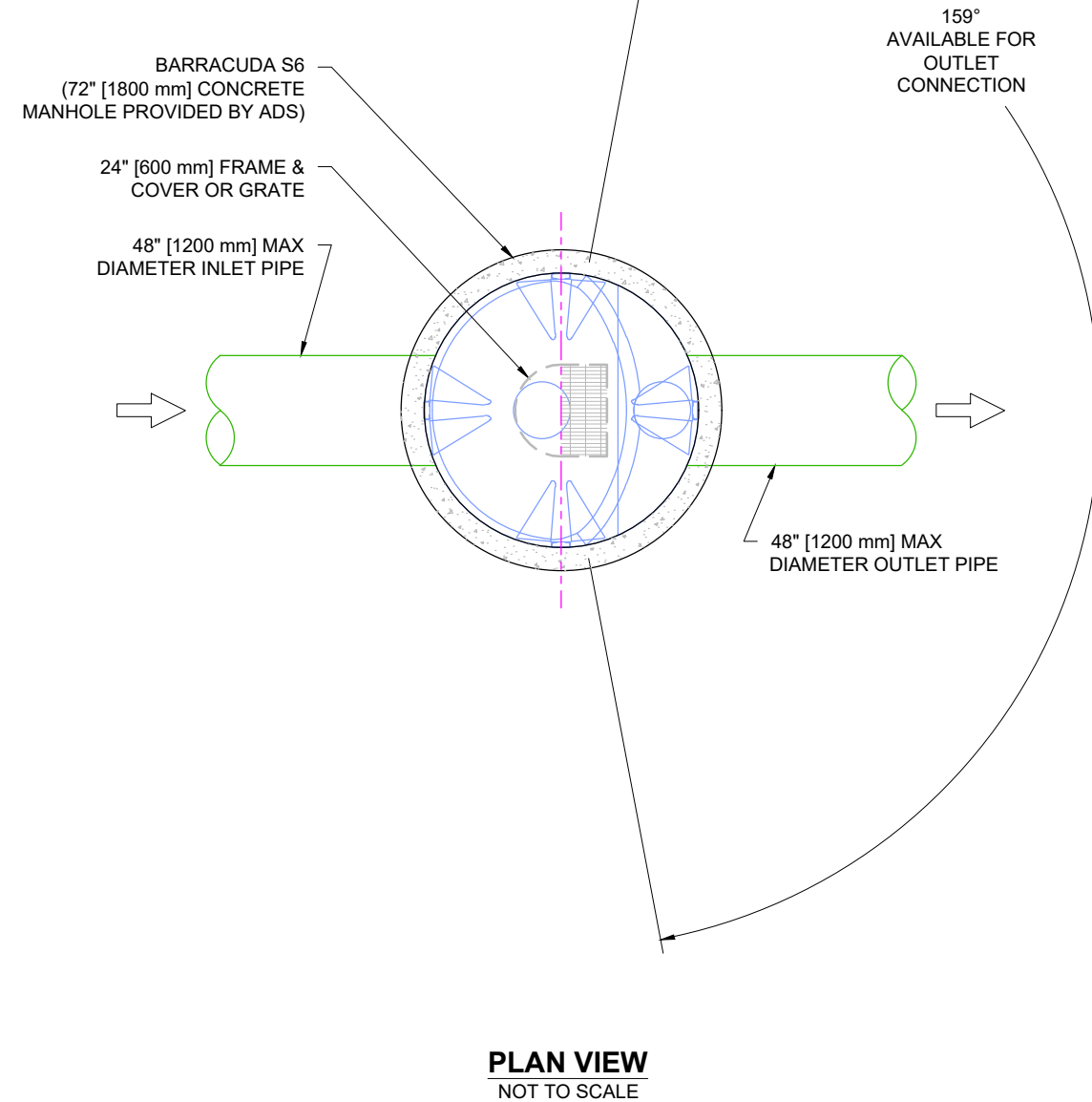
4640 TRUEMAN BLVD
HILLIARD, OH 43026



THIS DRAWING HAS BEEN PREPARED BASED ON INFORMATION PROVIDED TO ADS/STORMTECH UNDER THE DIRECTION OF THE PROJECT'S ENGINEER OF RECORD (EOR) OR OTHER PROJECT REPRESENTATIVE. THIS DRAWING IS NOT INTENDED FOR USE IN BIDDING OR CONSTRUCTION WITHOUT THE EOR'S PRIOR APPROVAL. EOR SHALL REVIEW THIS DRAWING PRIOR TO BIDDING AND/OR CONSTRUCTION. IT IS THE ULTIMATE RESPONSIBILITY OF THE EOR TO ENSURE THAT THE PRODUCT(S) DEPICTED AND ALL ASSOCIATED DETAILS MEET ALL APPLICABLE LAWS, REGULATIONS, AND PROJECT REQUIREMENTS.



SECTION VIEW A-A
NOT TO SCALE



PLAN VIEW
NOT TO SCALE

NOTES:

- ENGINEER / CONTRACTOR TO CONFIRM PIPE MATERIALS AND APPLICABLE ADAPTERS
- CONTRACTOR IS RESPONSIBLE FOR MATERIAL AND LABOR TO BRING CASTINGS TO FINISHED GRADE
- CONTRACTOR TO MEASURE HEIGHT OF STRUCTURE TO ENSURE THAT DEPTH OF EXCAVATION IS CORRECT.
- UNIT SHALL CONFORM TO HS20-44 LOAD RATINGS.
- **CASQA CERTIFIED TRASH FULL CAPTURE SYSTEM**