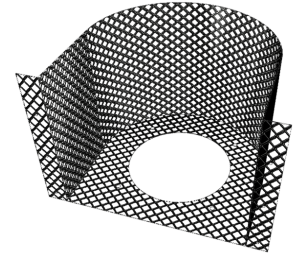


# Arcadia™ Hydrodynamic Separator Trash Screen Installation Guide

## Instructions for all Models

This instruction manual starts after the Top Baffle (C) is bolted in place. For AR3-AR6 this is after Section 2, Step 11. For AR8 & AR10, this is after Section 3B, Step 10.



1. Install a nut with washer on each threaded rod. The distance from the Top Baffle (C) to the washer shall be set to match the distance in Table 1. See **figure 1** for example of how to measure this distance.

**Table 1:** Frame Support Measurements

Arcadia Model	Spacing mm (in)
AR3	95.3 (3.75)
AR4	152.4 (6)
AR5	165.1 (6.5)
AR6	177.8 (7)
AR8	260.4 (10.25)
AR10	323.9 (12.75)

**Figure 1**



**Figure 2**



**Figure 3**

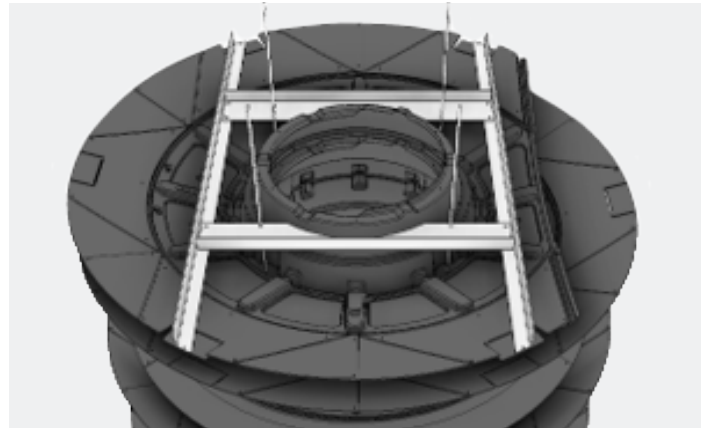


2. Two people are needed for this step. Assemble Frame (G) by bolting the 4 metal pieces with provided short bolts, nuts, & washers, as shown in **figures 2 and 3**.

*Note: Make sure the frame is installed upright, with the angled bends pointing upward, as shown in **figure 3**.*

3. Slide Frame (G) onto the threaded rods until it rests flat on nuts and washers added in Step 1. Orient Frame (G) so that it aligns parallel to the flat portion of Top Baffle (C), as shown in **figure 4**.
4. Add a washer and nut to each of the long-threaded rods above Frame (G). Tighten firmly as seen in **figure 5**.
5. Attach a nut and threaded coupling at the top end of each long-threaded rod. Screw both down far enough so that the threaded coupling is half on the threaded rod. Hold the coupling nut with a wrench and tighten the lower nut to **lock** both in place as shown in **figure 6**.
6. Install Trash Screen. The screen for AR3, AR4 and AR5 can be lifted by hand and placed such that the threaded rods pass through the holes in the screen. Align the screen flanges with the cut edge of the Top Baffle, as shown in **figure 7**. For AR6, AR8, and AR10 use lifting points for mechanical lifting attachment, as shown in **figure 8**.
7. Place a washer and nut onto the end of the four short-threaded rods, screwing about 3" (75 mm) down. Orient Cylinder (E) with the flange facing up; feed the rods from the top through the holes in the Cylinder (E) until the nuts rest on top of the Cylinder, as shown in **figure 9**.
8. Place Cylinder (E) assembly on top of Top Baffle (C). Each part mates with the previous part in only one orientation. Check that flat side of the flange of Cylinder (E) is aligned with the flat side of the Top Baffle (C) as shown in **figure 10**. Attach the bottom end of the 4 short-threaded rods to each threaded coupling at the top of the 4 long-threaded rods. Hand tighten snug by twisting the long and short-threaded rods in opposite directions.
9. Secure Cylinder (E) onto each of the 4 short threaded rods with the washer and nut at the top. Hand snug with wrench.

**Figure 4**



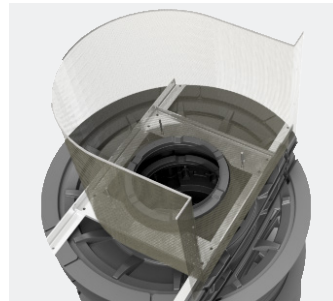
**Figure 5**



**Figure 6**



**Figure 7**



**Figure 8**



**Figure 9**



**Figure 10**



10. Slide Weir (F) into top slot with the curved edge down. Ensure Weir (F) is centered in the slot. To easily insert Weir (F), push one end home and secure lower corner of Weir (F) to Top Baffle (C) with a screw, as shown in **figures 11 and 12**; then push the other end home and secure with screw. Add additional screws into the slot and through the bottom of the weir at approximately the middle,  $\frac{1}{4}$ , and  $\frac{3}{4}$  positions.

11. Secure the top of Weir (F) with three screws into Cylinder (E), as shown in **figure 13**.

12. Secure Trash Screen to Weir (F) using 6 7.93 mm ( $\frac{5}{16}$ " ) x 25 mm (1" ) lag screws through holes shown in **figure 14**. For safety, use bolt caps 7.93 mm ( $\frac{5}{16}$ " ) x 38.1 mm ( $\frac{1}{2}$ " ) on the protruding tips of these lag screws.

13. Install nuts onto 2 opposite threaded rods, then install 2 lifting eye nuts onto the same 2 threaded rods. Tighten each nut to the bottom of the eye nut, locking them in place. See **figures 15 and 16**.

*Note: Use the lifting eye nuts as rigging points for any lifting of the unit. figure 15.*

14. Return to the Arcadia Installation Guide.

- For AR3, AR4, AR5 and AR6, go to Section 3.
- For AR8 and AR10, go to Section 4.

**Figure 11**



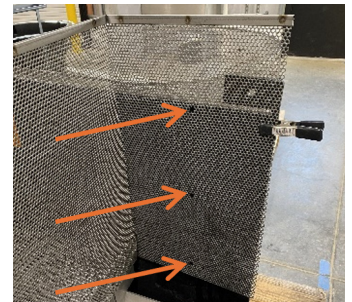
**Figure 12**



**Figure 13**



**Figure 14**



**Figure 15**



**Figure 16**

