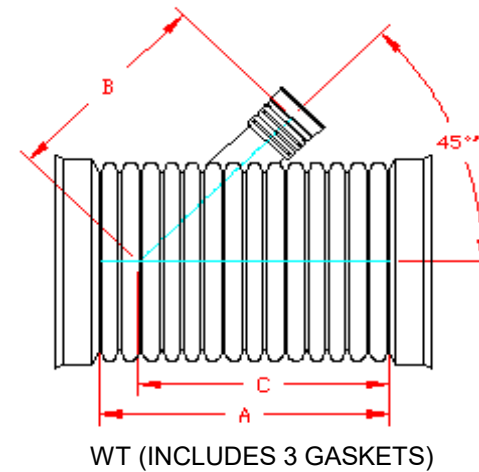
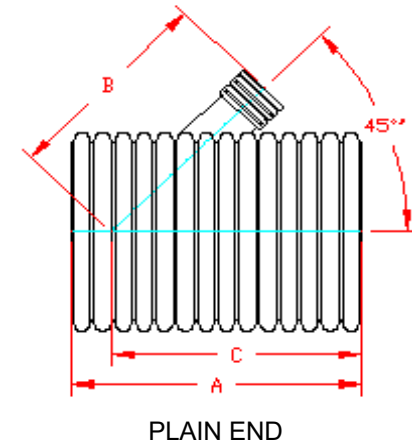


DUAL WALL FABRICATED REDUCING WYES 18"×4" - 18"×10" DIAMETER

PART #	PIPE SIZE	A	B	C	JOINT
1880AN	18 x 4 in (450 x 100 mm)	28.7 in (729 mm)	23.0 in (584 mm)	25.3 in (644 mm)	*
1880AN65B	18 x 4 in (450 x 100 mm)	24.1 in (613 mm)	23.0 in (584 mm)	22.7 in (576 mm)	WT
1881AN	18 x 6 in (450 x 150 mm)	31.3 in (796 mm)	25.1 in (638 mm)	26.7 in (678 mm)	*
1881AN65B	18 x 6 in (450 x 150 mm)	26.8 in (681 mm)	25.1 in (638 mm)	24.0 in (610 mm)	WT
1882AN	18 x 8 in (450 x 200 mm)	33.9 in (862 mm)	27.2 in (691 mm)	28.0 in (712 mm)	*
1882AN65B	18 x 8 in (450 x 200 mm)	28.7 in (729 mm)	27.2 in (691 mm)	25.3 in (644 mm)	WT
1883AN	18 x 10 in (450 x 250 mm)	36.6 in (928 mm)	28.7 in (729 mm)	29.4 in (746 mm)	*
1883AN65B	18 x 10 in (450 x 250 mm)	31.3 in (796 mm)	28.7 in (729 mm)	26.7 in (678 mm)	WT



* = PLAIN END
ST = SOIL TIGHT
WT = WATER TIGHT

NOTE: ALL FITTINGS DIMENSIONS ARE FOR REFERENCE ONLY

© 2023 Advanced Drainage Systems, Inc.



DRAWING #:	2320	
DRAWN BY:	JCB	06.14.06
APPROVED BY:	JCB	06.26.07
REVISIONS:	TJR	05.30.08