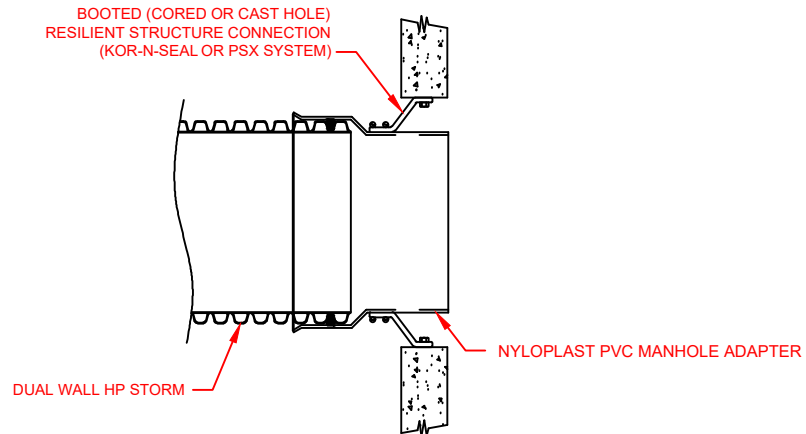
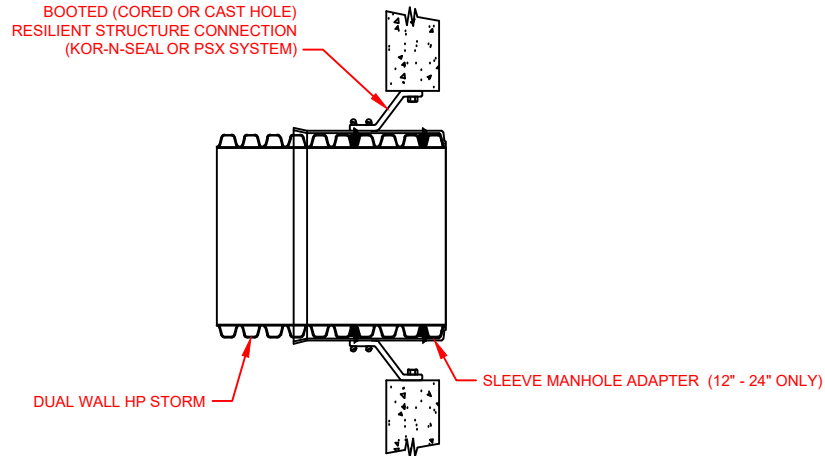


BOOTED (CORED OR CAST HOLE) RESILIENT STRUCTURE CONNECTION 12"-30" DUAL WALL HP STORM W/ SLEEVE MH ADAPTER OR NYLOPLAST PVC ADAPTER



SLEEVE MANHOLE ADAPTER				
PIPE SIZE	ADS ADAPTER PRODUCT CODES	PRESS SEAL® SYSTEMS *	TRELLEBORG	
		PSX: DIRECT DRIVE *	KOR-N-SEAL® *	
			SERIES I OR II	SERIES 306
12" (300mm)	1222AAPP	18Y OR 20Y	S106-20BWS	N/A
15" (375mm)	1522AAPP	22M	S206-22	S306-22
18" (450mm)	1822AAPP	26L	S206-26	S306-26
24" (600mm)	2422AAPP	32A	S206-32	S306-32

* THIRD PARTY - CODES AS SUPPLIED BY MANUFACTURER
KOR-N-SEAL is a registered trademark of NPC, Inc. (www.npc.com)
PSX Systems are a product of PRESS-SEAL GASKET CORPORATION. (www.press-seal.com)

NYLOPLAST PVC MANHOLE ADAPTER				
PIPE SIZE	NYLOPLAST PRODUCT CODES	PRESS SEAL® SYSTEMS *	TRELLEBORG	
		PSX: DIRECT DRIVE *	KOR-N-SEAL® *	
			SERIES I OR II	SERIES 306
12" (300mm)	1257AGHPU	16M	S106-16AW	N/A
15" (375mm)	1557AGHPU	18M OR 20Y	S106-20BWS	N/A
18" (450mm)	1857AGHPU	22M	S206-22	S306-22L
24" (600mm)	2457AGHPU	28A	S206-28	S306-28L
30" (750mm)	3057AGHPU	36A	S206-36	S306-36L

* THIRD PARTY - CODES AS SUPPLIED BY MANUFACTURER
KOR-N-SEAL is a registered trademark of NPC, Inc. (www.npc.com)
PSX Systems are a product of PRESS-SEAL GASKET CORPORATION. (www.press-seal.com)

NOTES:
PERFORMANCE HIGHLY DEPENDENT ON INSTALLATION. CONTRACTOR MUST ENSURE MANHOLE GASKET IS UNIFORMLY SEATED AROUND STRUCTURE ADAPTER. EXTRA PRECAUTIONS MUST BE TAKEN TO PREVENT DIFFERENTIAL SETTLEMENT BETWEEN THE PIPE AND MANHOLE.

SEE STANDARD DETAIL STD-201 AND TECHNICAL NOTE: 5.04 CONNECTIONS TO MANHOLES AND STRUCTURES FOR INSTALLATION RECOMMENDATIONS.

NYLOPLAST PVC ADAPTER OD EQUIVALENT TO SDR 35

4	MODIFIED ADAPTER DATA AND DETAIL	AMT	09-09-19	
REV.	DESCRIPTION	BY	MM/DD/YY	CHKD

© 2019 ADS, INC.

ADVANCED DRAINAGE SYSTEMS, INC. ("ADS") HAS PREPARED THIS DETAIL BASED ON INFORMATION PROVIDED TO ADS. THIS DRAWING IS INTENDED TO DEPICT THE COMPONENTS AS REQUESTED. ADS HAS NOT PERFORMED ANY ENGINEERING OR DESIGN SERVICES FOR THIS PROJECT, NOR HAS ADS INDEPENDENTLY VERIFIED THE INFORMATION SUPPLIED. THE INSTALLATION DETAILS PROVIDED HEREIN ARE GENERAL RECOMMENDATIONS AND ARE NOT SPECIFIC FOR THIS PROJECT. THE DESIGN ENGINEER SHALL REVIEW THESE DETAILS PRIOR TO CONSTRUCTION. IT IS THE DESIGN ENGINEERS RESPONSIBILITY TO ENSURE THE DETAILS PROVIDED HEREIN MEETS OR EXCEEDS THE APPLICABLE NATIONAL, STATE, OR LOCAL REQUIREMENTS AND TO ENSURE THAT THE DETAILS PROVIDED HEREIN ARE ACCEPTABLE FOR THIS PROJECT.

12"-30" HP STORM BOOTED (CORED OR CAST HOLE)
STRUCTURE CONNECTION W/ SLEEVE OR PVC ADAPTER

DRAWING NUMBER: STD-207D



4640 TRUEMAN BLVD
HILLIARD, OHIO 43026

DRAWN BY	CKM
DATE	2/23/10
CR'D BY	
SCALE	NTS
SHEET	1 OF 1