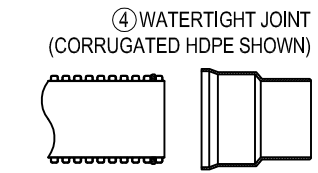
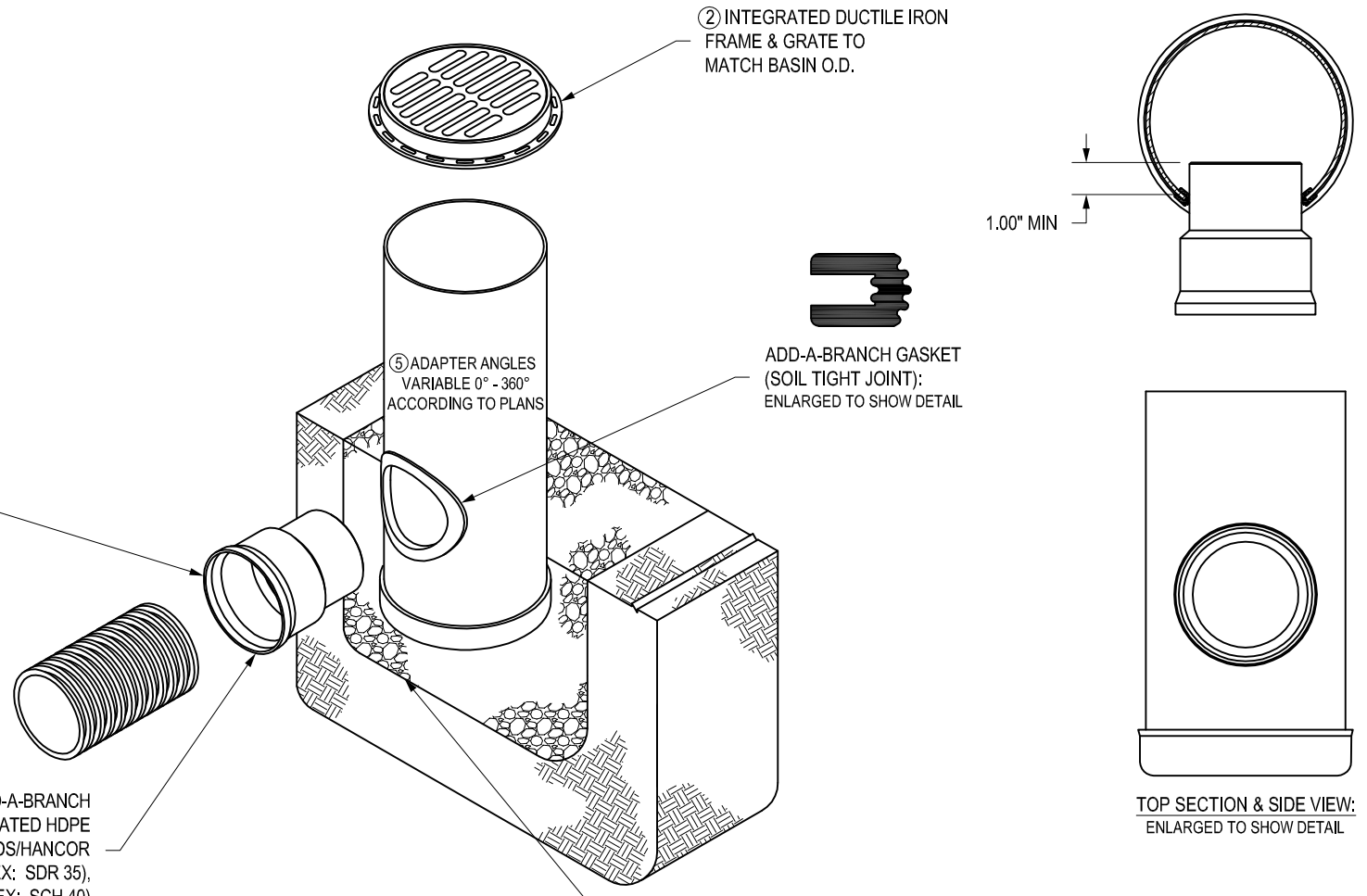


NYLOPLAST DRAIN BASIN WITH ADD-A-BRANCH

PIPE SIZE	PART #	MIN. BASIN SIZE
4"	6004AG	8"
6"	6006AG	10"
8"	6008AG	12"
10"	6010AG	15"
12"	6012AG	18"
15"	6015AG	24"
4"	6004AG_30	SPEC. TO 30" & 36"
6"	6006AG_30	SPEC. TO 30" & 36"
8"	6008AG_30	SPEC. TO 30" & 36"
10"	6010AG_30	SPEC. TO 30" & 36"
12"	6012AG_30	SPEC. TO 30" & 36"
15"	6015AG_30	SPEC. TO 30" & 36"
18"	6018AG_30	SPEC. TO 30" & 36"
24"	6024AG_36	SPEC. TO 36"



④ VARIOUS TYPES OF INLET & OUTLET ADD-A-BRANCH ADAPTERS AVAILABLE: 4" - 24" FOR CORRUGATED HDPE (ADS N-12/HANCOR DUAL WALL, ADS/HANCOR SINGLE WALL), PVC SEWER (EX: SDR 35), & PVC DWV (EX: SCH 40)

THE BACKFILL MATERIAL SHALL BE CRUSHED STONE OR OTHER GRANULAR MATERIAL MEETING THE REQUIREMENTS OF CLASS I, CLASS II, OR CLASS III MATERIAL AS DEFINED IN ASTM D2321. BEDDING & BACKFILL FOR SURFACE DRAINAGE INLETS SHALL BE PLACED & COMPACTED UNIFORMLY IN ACCORDANCE WITH ASTM D2321.

- 1 - ADD-A-BRANCH (PATENT NO. 6349936) AVAILABLE FOR ALL 8" - 36" STRUCTURE OPTIONS (CUSTOM BASIN, ROAD & HIGHWAY, & CURB INLET)
- ② - FRAMES, GRATES, COVERS, HOODS, & BASE PLATES SHALL BE DUCTILE IRON PER ASTM A536 GRADE 70-50-05, WITH THE EXCEPTION OF THE BRONZE GRATES
- 3 - DRAIN BASIN TO BE CUSTOM MANUFACTURED ACCORDING TO PLAN DETAILS RISERS ARE NEEDED FOR BASINS OVER 84" DUE TO SHIPPING RESTRICTIONS SEE DRAWING NO. 7001-110-065
- ④ - DRAINAGE CONNECTION STUB JOINT TIGHTNESS SHALL CONFORM TO ASTM D3212 FOR CORRUGATED HDPE (ADS N-12/HANCOR DUAL WALL) & PVC SEWER (4" - 24")
- ⑤ - ADD-A-BRANCH ADAPTERS CAN BE MOUNTED ON ANY ANGLE 0° TO 360°. TO DETERMINE MINIMUM ANGLE BETWEEN ADD-A-BRANCH ADAPTERS SEE DRAWING NO. 0110-110-005

THIS PRINT DISCLOSES SUBJECT MATTER IN WHICH NYLOPLAST HAS PROPRIETARY RIGHTS. THE RECEIPT OR POSSESSION OF THIS PRINT DOES NOT CONFER, TRANSFER, OR LICENSE THE USE OF THE DESIGN OR TECHNICAL INFORMATION SHOWN HEREIN REPRODUCTION OF THIS PRINT OR ANY INFORMATION CONTAINED HEREIN, OR MANUFACTURE OF ANY ARTICLE HEREFROM, FOR THE DISCLOSURE TO OTHERS IS FORBIDDEN, EXCEPT BY SPECIFIC WRITTEN PERMISSION FROM NYLOPLAST.

DRAWN BY	EBC	MATERIAL
DATE	5-9-06	
REVISED BY	NMH	PROJECT NO./NAME
DATE	12-4-19	
DWG SIZE	A	SCALE 1:25 SHEET 1 OF 1

	3130 VERONA AVE BUFORD, GA 30518 PHN (770) 932-2443 FAX (770) 932-2490 www.nyloplast-us.com
	TITLE DRAIN BASIN WITH ADD-A-BRANCH QUICK SPEC INSTALLATION DETAIL
DWG NO.	0110-110-009 REV F