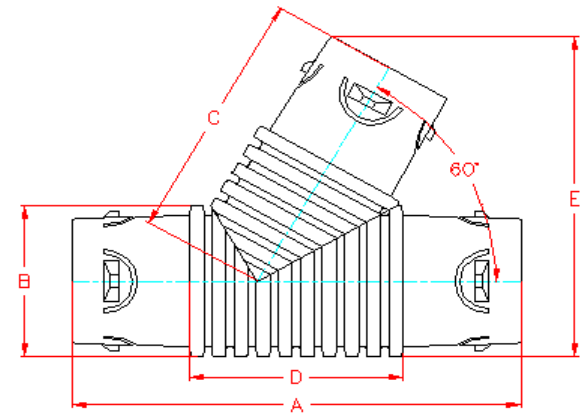


SINGLE WALL INTERNAL WYE

PART #	PIPE SIZE	A	B	C	D	E
0321AA	3 in (75 mm)	9.9 in (250 mm)	3.5 in (89 mm)	5.8 in (147 mm)	4.7 in (119 mm)	7.5 in (190 mm)



NOTE: ALL DIMENSIONS ARE NOMINAL

© 2023 Advanced Drainage Systems, Inc.

 Advanced Drainage Systems, Inc.	DRAWING #:	1021	
	DRAWN BY:	CRM	09.11.06
	APPROVED BY:	JCB	06.25.07
	REVISIONS:	TJR	10.17.07