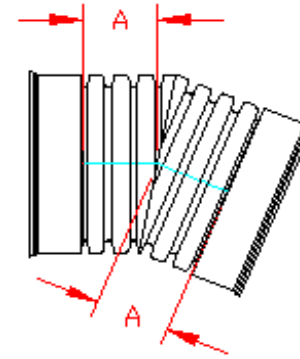



SANITITE® HP DUAL WALL FABRICATED 11.25° BENDS
12" - 24" DIAMETER (BELL\BELL)

PART #	PIPE SIZE	A	JOINT
1291AN30BP	12 in (300 mm)	4.3 in (109 mm)	WT
1591AN30BP	15 in (375 mm)	6.0 in (152 mm)	WT
1891AN30BP	18 in (450 mm)	5.8 in (147 mm)	WT
2491AN30BP	24 in (600 mm)	7.9 in (201 mm)	WT



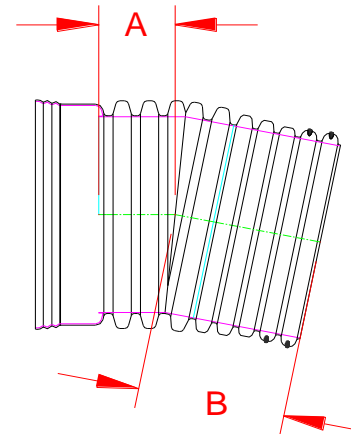
WT (INCLUDES 2 GASKETS)

NOTE: ALL FITTINGS DIMENSIONS ARE FOR REFERENCE ONLY

	DRAWING #:	HP 15000
	DRAWN BY:	TJR 10/27/2009
	APPROVED BY:	
	REVISIONS:	TJR 8/16/2010

SANITITE® HP DUAL WALL FABRICATED 11.25° BENDS
30" DIAMETER (IB BELL\IB SPIGOT)

PART #	PIPE SIZE	A	B	JOINT
3091AN30BP	30 in (750 mm)	11.1 in (282 mm)	21.5 in (546 mm)	WT



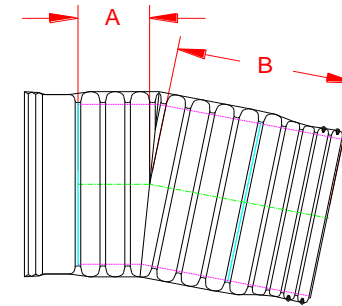
WT (INCLUDES 2 GASKETS)

NOTE: ALL FITTINGS DIMENSIONS ARE FOR REFERENCE ONLY

	DRAWING #:	HP 15050
	DRAWN BY:	TJR 8/16/2010
	APPROVED BY:	
	REVISIONS:	

**SANITITE® HP TRIPLE WALL FABRICATED 11.25° BENDS
30" - 60" DIAMETER (IB BELL\IB SPIGOT)**

PART #	PIPE SIZE	A	B	JOINT
3091AN30BPT	30 in (750 mm)	13.1 in (332 mm)	27.4 in (697 mm)	WT
3691AN30BPT	36 in (900 mm)	15.4 in (390 mm)	38.8 in (986 mm)	WT
4291AN30BPT	42 in (1200 mm)	13.9 in (353 mm)	26.1 in (664 mm)	WT
4891AN30BPT	48 in (1200 mm)	17.0 in (431 mm)	35.9 in (913 mm)	WT
6091AN30BPT	60 in (1500 mm)	18.5 in (470 mm)	47.9 in (1216 mm)	WT



WT (INCLUDES 2 GASKETS)

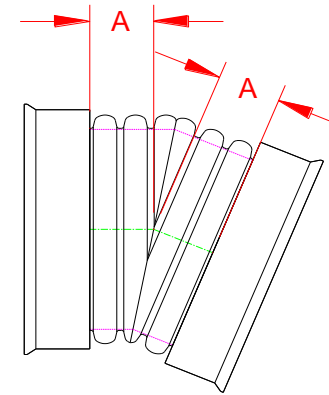
NOTE: ALL FITTINGS DIMENSIONS ARE FOR REFERENCE ONLY



DRAWING #:	HP 15100	
DRAWN BY:	TJR	10/29/2009
APPROVED BY:		
REVISIONS:	TJR	5/13/2014

SANITITE® HP DUAL WALL FABRICATED 22.5° BENDS
12" - 24" DIAMETER (BELL\BELL)

PART #	PIPE SIZE	A	JOINT
1292AN30BP	12 in (300 mm)	5.8 in (147 mm)	WT
1592AN30BP	15 in (375 mm)	5.4 in (137 mm)	WT
1892AN30BP	18 in (450 mm)	6.9 in (175 mm)	WT
2492AN30BP	24 in (600 mm)	9.5 in (241 mm)	WT



WT (INCLUDES 2 GASKETS)

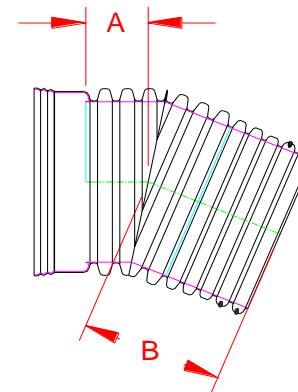
NOTE: ALL FITTINGS DIMENSIONS ARE FOR REFERENCE ONLY



DRAWING #:	HP 15200	
DRAWN BY:	TJR	10/27/2009
APPROVED BY:		
REVISIONS:	TJR	8/16/2010

**SANITITE® HP DUAL WALL FABRICATED 22.5° BENDS
30" DIAMETER (IB BELL\IB SPIGOT)**

PART #	PIPE SIZE	A	B	JOINT
3092AN30BP	30 in (750 mm)	11.1 in (282 mm)	25.5 in (647 mm)	WT



WT (INCLUDES 2 GASKETS)

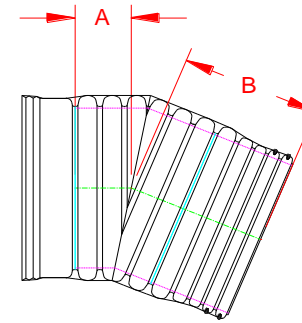
NOTE: ALL FITTINGS DIMENSIONS ARE FOR REFERENCE ONLY



DRAWING #:	HP 15250	
DRAWN BY:	TJR	8/16/2010
APPROVED BY:		
REVISIONS:		


**SANITITE® HP TRIPLE WALL FABRICATED 22.5° BENDS
30" - 60" DIAMETER (IB BELL\IB SPIGOT)**

PART #	PIPE SIZE	A	B	JOINT
3092AN30BPT	30 in (750 mm)	10.9 in (276 mm)	25.2 in (640 mm)	WT
3692AN30BPT	36 in (900 mm)	12.1 in (308 mm)	30.3 in (769 mm)	WT
4292AN30BPT	42 in (1050 mm)	16.2 in (412 mm)	28.5 in (723 mm)	WT
4892AN30BPT	48 in (1200 mm)	14.4 in (366 mm)	33.4 in (848 mm)	WT
6092AN30BPT	60 in (1500 mm)	15.8 in (400 mm)	39.0 in (991 mm)	WT



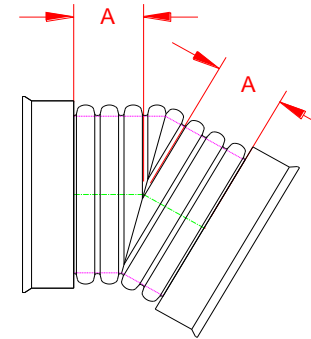
WT (INCLUDES 2 GASKETS)

NOTE: ALL FITTINGS DIMENSIONS ARE FOR REFERENCE ONLY

 Advanced Drainage Systems, Inc.	DRAWING #:	HP 15300
	DRAWN BY:	TJR 10/29/2009
	APPROVED BY:	
	REVISIONS:	TJR 8/8/2011

SANITITE® HP DUAL WALL FABRICATED 30° BENDS
12" - 24" DIAMETER (BELL\BELL)

PART #	PIPE SIZE	A	JOINT
1295AN30BP	12 in (300 mm)	5.8 in (147 mm)	WT
1595AN30BP	15 in (375 mm)	7.8 in (198 mm)	WT
1895AN30BP	18 in (450 mm)	6.7 in (170 mm)	WT
2495AN30BP	24 in (600 mm)	9.5 in (241 mm)	WT



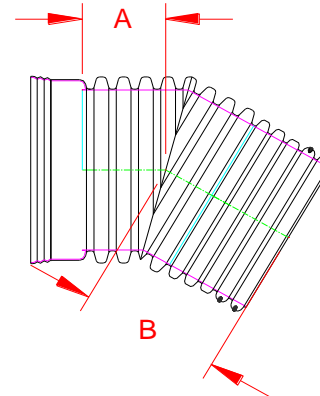
WT (INCLUDES 2 GASKETS)

NOTE: ALL FITTINGS DIMENSIONS ARE FOR REFERENCE ONLY

 Advanced Drainage Systems, Inc.	DRAWING #:	HP 15400
	DRAWN BY:	TJR 10/27/2009
	APPROVED BY:	
	REVISIONS:	TJR 8/16/2010

**SANITITE® HP DUAL WALL FABRICATED 30° BENDS
30" DIAMETER (IB BELL\IB SPIGOT)**

PART #	PIPE SIZE	A	B	JOINT
3095AN30BP	30 in (750 mm)	14.9 in (379 mm)	25.3 in (643 mm)	WT



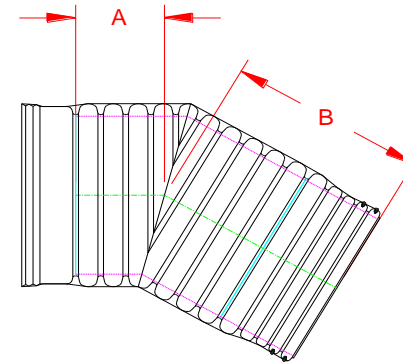
WT (INCLUDES 2 GASKETS)

NOTE: ALL FITTINGS DIMENSIONS ARE FOR REFERENCE ONLY

	DRAWING #:	HP 15450	
	DRAWN BY:	TJR	8/16/2010
	APPROVED BY:		
	REVISIONS:		


SANITITE® HP TRIPLE WALL FABRICATED 30° BENDS
30" - 60" DIAMETER (IB BELL\IB SPIGOT)

PART #	PIPE SIZE	A	B	JOINT
3095AN30BPT	30 in (750 mm)	16.0 in (407 mm)	30.4 in (772 mm)	WT
3695AN30BPT	36 in (900 mm)	18.9 in (480 mm)	42.4 in (1076 mm)	WT
4295AN30BPT	42 in (1050 mm)	17.8 in (453 mm)	30.1 in (763 mm)	WT
4895AN30BPT	48 in (1200 mm)	22.8 in (579 mm)	41.8 in (1061 mm)	WT
6095AN30BPT	60 in (1500 mm)	24.1 in (613 mm)	53.5 in (1359 mm)	WT



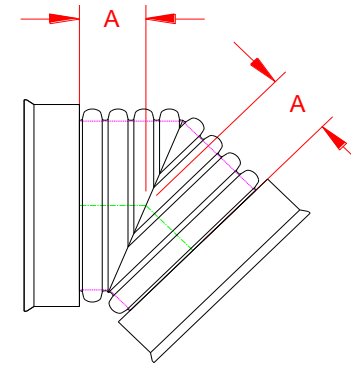
WT (INCLUDES 2 GASKETS)

NOTE: ALL FITTINGS DIMENSIONS ARE FOR REFERENCE ONLY

 Advanced Drainage Systems, Inc.	DRAWING #:	HP 15500
	DRAWN BY:	TJR 10/29/2009
	APPROVED BY:	
	REVISIONS:	TJR 8/8/2011

SANITITE® HP DUAL WALL FABRICATED 45° BENDS
12" - 24" DIAMETER (BELL\BELL)

PART #	PIPE SIZE	A	JOINT
1297AN30BP	12 in (300 mm)	5.8 in (147 mm)	WT
1597AN30BP	15 in (375 mm)	7.8 in (198 mm)	WT
1897AN30BP	18 in (450 mm)	6.7 in (170 mm)	WT
2497AN30BP	24 in (600 mm)	9.5 in (241 mm)	WT



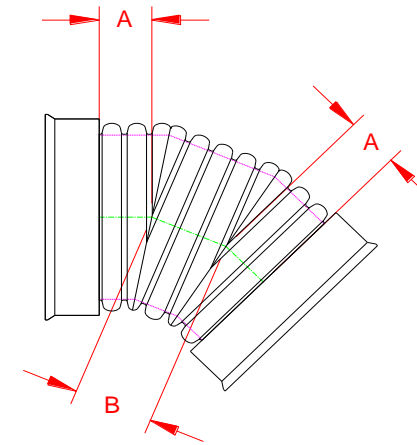
WT (INCLUDES 2 GASKETS)

NOTE: ALL FITTINGS DIMENSIONS ARE FOR REFERENCE ONLY

	DRAWING #:	HP 15550	
	DRAWN BY:	TJR	2/8/2010
	APPROVED BY:		
	REVISIONS:	TJR	8/16/2010

SANITITE® HP DUAL WALL FABRICATED SWEEPING 45° BENDS
12" - 24" DIAMETER (BELL\BELL)

PART #	PIPE SIZE	A	B	JOINT
1294AN30BP	12 in (300 mm)	5.7 in (144 mm)	7.7 in (196 mm)	WT
1594AN30BP	15 in (375 mm)	5.2 in (133 mm)	7.9 in (200 mm)	WT
1894AN30BP	18 in (450 mm)	6.4 in (162 mm)	10.1 in (257 mm)	WT
2494AN30BP	24 in (600 mm)	9.4 in (238 mm)	12.4 in (314 mm)	WT



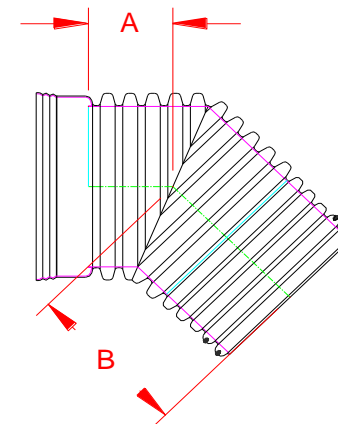
WT (INCLUDES 2 GASKETS)

NOTE: ALL FITTINGS DIMENSIONS ARE FOR REFERENCE ONLY

	DRAWING #:	HP 15600
	DRAWN BY:	TJR 10/27/2009
	APPROVED BY:	
	REVISIONS:	TJR 8/16/2010

**SANITITE® HP DUAL WALL FABRICATED 45° BENDS
30" DIAMETER (IB BELL\IB SPIGOT)**

PART #	PIPE SIZE	A	B	JOINT
3097AN30BP	30 in (750 mm)	14.9 in (379 mm)	29.3 in (743 mm)	WT



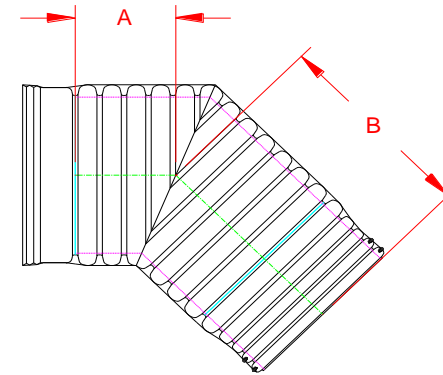
WT (INCLUDES 2 GASKETS)

NOTE: ALL FITTINGS DIMENSIONS ARE FOR REFERENCE ONLY

	DRAWING #:	HP 15625
	DRAWN BY:	TJR 8/26/2013
	APPROVED BY:	
	REVISIONS:	


SANITITE® HP TRIPLE WALL FABRICATED 45° BENDS
30" - 60" DIAMETER (IB BELL\IB SPIGOT)

PART #	PIPE SIZE	A	B	JOINT
3097AN30BPT	30 in (750 mm)	18.6 in (472 mm)	32.9 in (837 mm)	WT
3697AN30BPT	36 in (900 mm)	22.0 in (558 mm)	45.4 in (1153 mm)	WT
4297AN30BPT	42 in (1050 mm)	19.8 in (504 mm)	32.1 in (814 mm)	WT
4897AN30BPT	48 in (1200 mm)	25.4 in (645 mm)	44.4 in (1128 mm)	WT
6097AN30BPT	60 in (1500 mm)	29.0 in (736 mm)	58.4 in (1483 mm)	WT



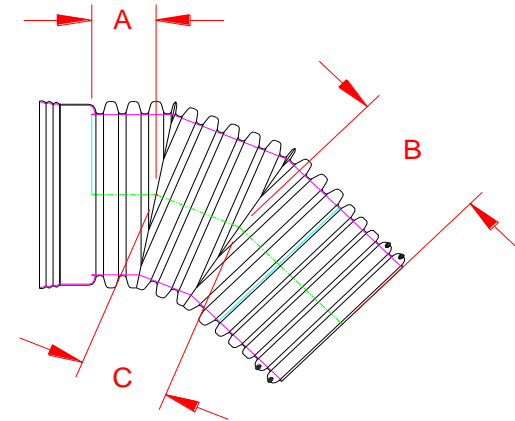
WT (INCLUDES 2 GASKETS)

NOTE: ALL FITTINGS DIMENSIONS ARE FOR REFERENCE ONLY

	DRAWING #:	HP 15650	
	DRAWN BY:	TJR	2/8/2010
	APPROVED BY:		
	REVISIONS:	TJR	8/8/2011


**SANITITE® HP DUAL WALL FABRICATED SWEEPING 45° BENDS
30" DIAMETER (IB BELL\IB SPIGOT)**

PART #	PIPE SIZE	A	B	C	JOINT
3094AN30BP	30 in (750 mm)	11.4 in (288 mm)	25.7 in (653 mm)	15.9 in (404 mm)	WT



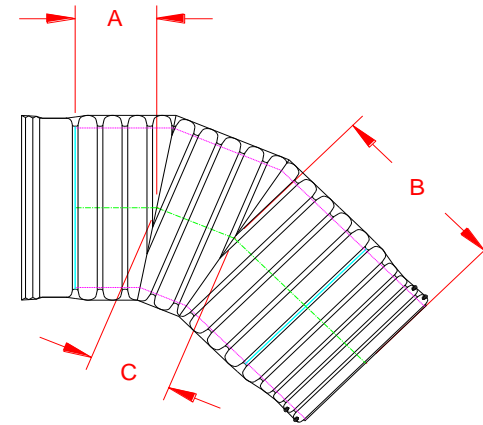
WT (INCLUDES 2 GASKETS)

NOTE: ALL FITTINGS DIMENSIONS ARE FOR REFERENCE ONLY

 <small>Advanced Drainage Systems, Inc.</small>	DRAWING #:	HP 15675
	DRAWN BY:	TJR 8/16/2010
	APPROVED BY:	
	REVISIONS:	TJR 2/17/2014

SANITITE® HP TRIPLE WALL FABRICATED SWEEPING 45° BENDS
30" - 60" DIAMETER (IB BELL\IB SPIGOT)

PART #	PIPE SIZE	A	B	C	JOINT
3094AN30BPT	30 in (750 mm)	15.3 in (389 mm)	29.7 in (754 mm)	15.9 in (404 mm)	WT
3694AN30BPT	36 in (900 mm)	17.5 in (444 mm)	39.9 in (1013 mm)	17.9 in (455 mm)	WT
4294AN30BPT	42 in (1050 mm)	16.2 in (412 mm)	28.5 in (723 mm)	17.6 in (447 mm)	WT
4894AN30BPT	48 in (1200 mm)	19.6 in (499 mm)	40.0 in (1015 mm)	22.5 in (571 mm)	WT
6094AN30BPT	60 in (1500 mm)	27.9 in (709 mm)	51.2 in (1301 mm)	25.4 in (645 mm)	WT



WT (INCLUDES 2 GASKETS)

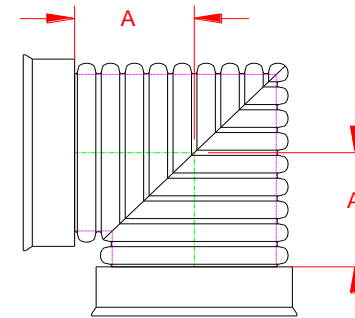
NOTE: ALL FITTINGS DIMENSIONS ARE FOR REFERENCE ONLY



DRAWING #:	HP 15700	
DRAWN BY:	TJR	10/29/2009
APPROVED BY:		
REVISIONS:	TJR	2/17/2014

SANITITE® HP DUAL WALL FABRICATED 90° BENDS
12" - 24" DIAMETER (BELL\BELL)

PART #	PIPE SIZE	A	JOINT
1298AN30BP	12 in (300 mm)	10.8 in (274 mm)	WT
1598AN30BP	15 in (375 mm)	11.8 in (300 mm)	WT
1898AN30BP	18 in (450 mm)	14.7 in (373 mm)	WT
2498AN30BP	24 in (600 mm)	17.7 in (450 mm)	WT



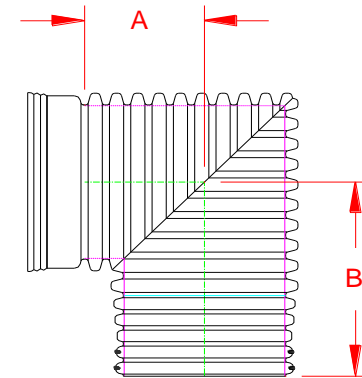
WT (INCLUDES 2 GASKETS)

NOTE: ALL FITTINGS DIMENSIONS ARE FOR REFERENCE ONLY

 <small>Advanced Drainage Systems, Inc.</small>	DRAWING #:	HP 15750
	DRAWN BY:	TJR 8/19/2010
	APPROVED BY:	
	REVISIONS:	TJR 3/1/2012

**SANITITE ® HP DUAL WALL FABRICATED 90° BENDS
30" DIAMETER (IB BELL/IB SPIGOT)**

PART #	PIPE SIZE	A	B	JOINT
3098AN30BP	30 in (750 mm)	23.8 in (605 mm)	38.2 in (969 mm)	WT



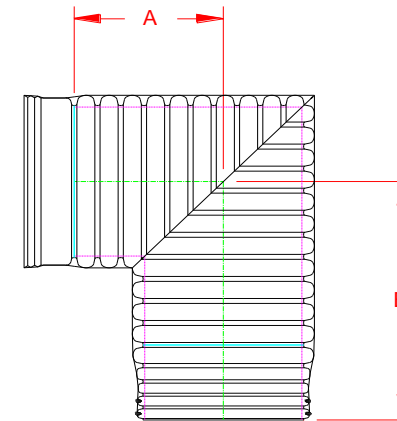
WT (INCLUDES 2 GASKET)

NOTE: ALL FITTINGS DIMENSIONS ARE FOR REFERENCE ONLY

	DRAWING #:	HP 15800
	DRAWN BY:	TJR 8/19/2010
	APPROVED BY:	
	REVISIONS:	TJR 3/1/2012

SANITITE® HP TRIPLE WALL FABRICATED 90° BENDS
30" - 60" DIAMETER (IB BELL\IB SPIGOT)

PART #	PIPE SIZE	A	B	JOINT
3098AN30BPT	30 in (750 mm)	28.8 in (732 mm)	43.2 in (1096 mm)	WT
3698AN30BPT	36 in (900 mm)	34.2 in (868 mm)	57.6 in (1463 mm)	WT
4298AN30BPT	42 in (1050 mm)	34.8 in (884 mm)	47.0 in (1194 mm)	WT
4898AN30BPT	48 in (1200 mm)	41.1 in (1044 mm)	54.9 in (1394 mm)	WT
6098AN30BPT	60 in (1500 mm)	46.2 in (1173 mm)	69.5 in (1764 mm)	WT



WT (INCLUDES 2 GASKETS)

NOTE: ALL FITTINGS DIMENSIONS ARE FOR REFERENCE ONLY

	DRAWING #:	HP 15850	
	DRAWN BY:	TJR	8/19/2010
	APPROVED BY:		
	REVISIONS:	TJR	8/8/2011