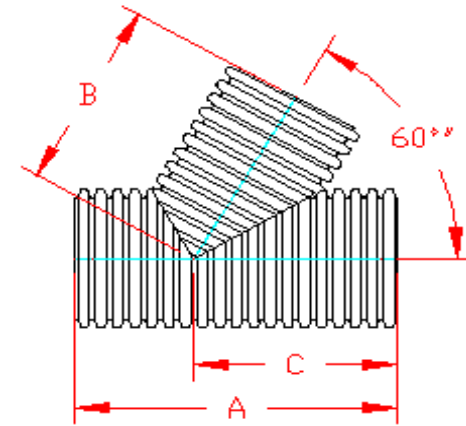


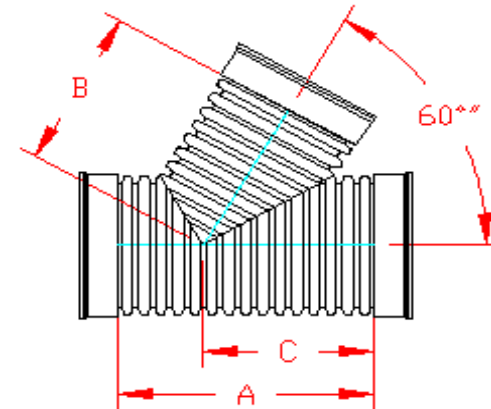
DUAL WALL FABRICATED 60° STANDARD WYES
18" - 24" DIAMETER

| PART # | PIPE SIZE | A | B | C | JOINT |
|-------------|-------------------|----------------------|---------------------|---------------------|-------|
| 1886AN60 | 18 in (450 mm) | 48.2 in (1225 mm) | 29.5 in (749 mm) | 29.5 in (749 mm) | * |
| 1886AN6065B | 18 in (450 mm) | 37.5 in (953 mm) | 24.1 in (613 mm) | 24.1 in (613 mm) | WT |
| 2487AN60 | 24 in (600 mm) | 59.9 in (1520 mm) | 37.3 in (948 mm) | 37.3 in (948 mm) | * |
| 2487AN6065B | 24 in (600 mm) | 47.3 in (1200 mm) | 32.0 in (812 mm) | 32.0 in (812 mm) | WT |

* = PLAIN END
ST = SOIL TIGHT
WT = WATER TIGHT



PLAIN END



WT (INCLUDES 3 GASKETS)

NOTE: ALL FITTINGS DIMENSIONS ARE FOR REFERENCE ONLY

© 2023 Advanced Drainage Systems, Inc.



| | |
|--------------|--------------|
| DRAWING #: | 2355 |
| DRAWN BY: | JCB 08.09.06 |
| APPROVED BY: | JCB 06.26.07 |
| REVISIONS: | NJP 06.14.07 |
| | |
| | |

