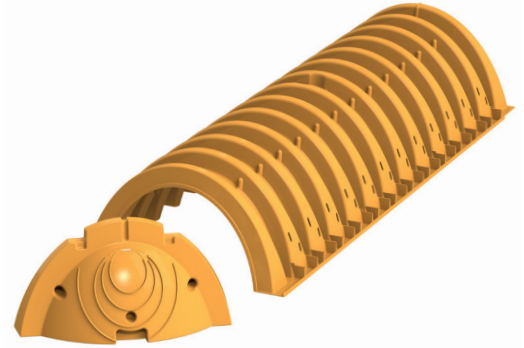


StormTech® SC-310 Chamber

Designed to meet the most stringent industry performance standards for superior structural integrity while providing designers with a cost-effective method to save valuable land and protect water resources. The StormTech system is designed primarily to be used under parking lots, thus maximizing land usage for private (commercial) and public applications. StormTech chambers can also be used in conjunction with Green Infrastructure, thus enhancing the performance and extending the service life of these practices.



Nominal Chamber Specifications (not to scale)

Size (L x W x H)
85.4" x 34" x 16"
2170 mm x 864 mm x 406 mm

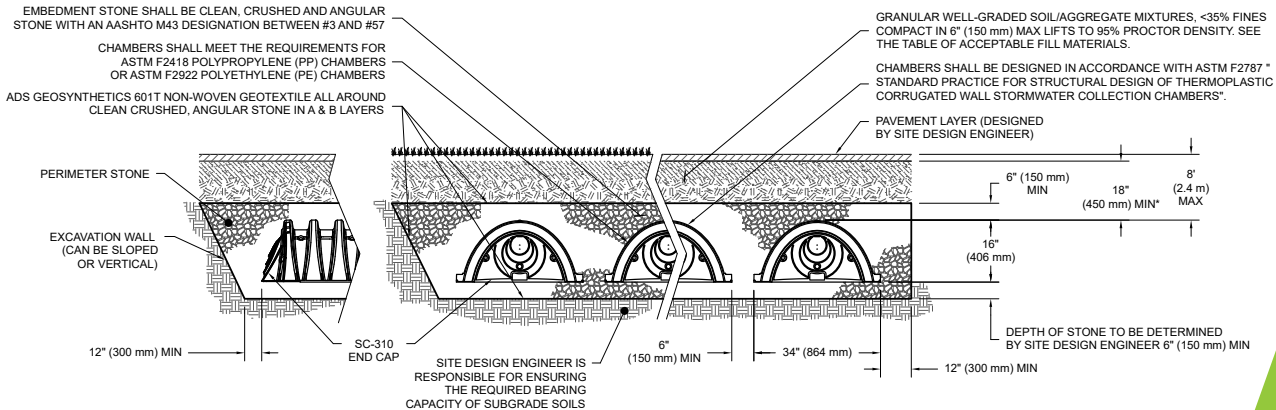
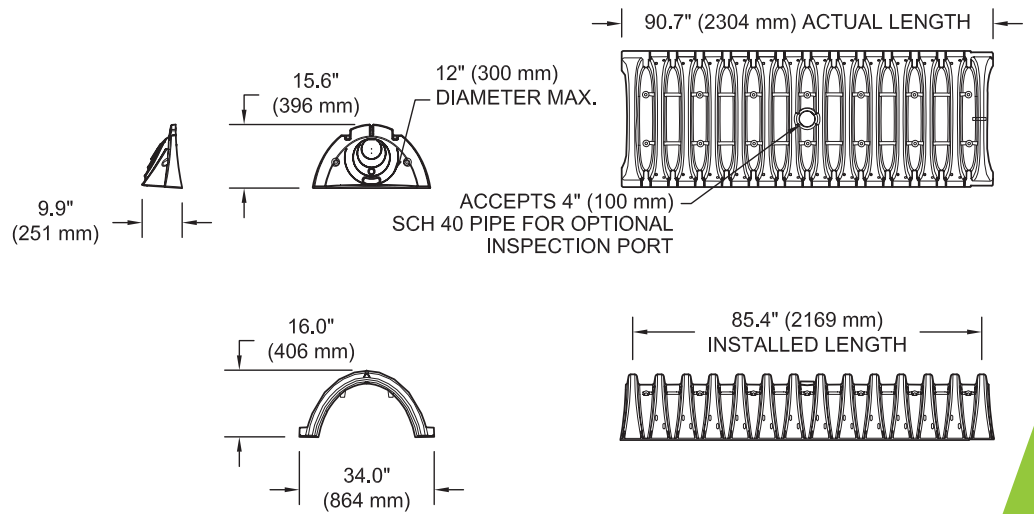
Chamber Storage
14.7 ft³ (0.42 m³)

Min. Installed Storage*
31.0 ft³ (0.88 m³)

Weight
37.0 lbs (16.8 kg)

Shipping
55 chambers/pallet
108 end caps/pallet
18 pallets/truck

*Assumes 6" (150 mm) stone above and below chambers and 40% stone porosity.



*MINIMUM COVER TO BOTTOM OF FLEXIBLE PAVEMENT. FOR UNPAVED INSTALLATIONS WHERE RUTTING FROM VEHICLES MAY OCCUR, INCREASE COVER TO 24" (600 mm).

StormTech SC-310 Specifications

Cumulative Storage Volumes Per Chamber

Assumes 40% Stone Porosity. Calculations are Based Upon a 6" (150 mm) Stone Base Under Chambers.

| Depth of Water in System Inches (mm) | Cumulative Chamber Storage ft ³ (m ³) | Total System Cumulative Storage ft ³ (m ³) |
|--------------------------------------|--|---|
| 28 (711) | 14.70 (0.416) | 31.00 (0.878) |
| 27 (686) | 14.70 (0.416) | 30.21 (0.855) |
| 26 (660) | 14.70 (0.416) | 29.42 (0.833) |
| 25 (635) | 14.70 (0.416) | 28.63 (0.811) |
| 24 (610) | 14.70 (0.416) | 27.84 (0.788) |
| 23 (584) | 14.70 (0.416) | 27.05 (0.766) |
| 22 (559) | 14.70 (0.416) | 26.26 (0.748) |
| 21 (533) | 14.64 (0.415) | 25.43 (0.720) |
| 20 (508) | 14.49 (0.410) | 24.54 (0.695) |
| 19 (483) | 14.22 (0.403) | 23.58 (0.668) |
| 18 (457) | 13.68 (0.387) | 22.47 (0.636) |
| 17 (432) | 12.99 (0.368) | 21.25 (0.602) |
| 16 (406) | 12.17 (0.345) | 19.97 (0.566) |
| 15 (381) | 11.25 (0.319) | 18.62 (0.528) |
| 14 (356) | 10.23 (0.290) | 17.22 (0.488) |
| 13 (330) | 9.15 (0.260) | 15.78 (0.447) |
| 12 (305) | 7.99 (0.227) | 14.29 (0.425) |
| 11 (279) | 6.78 (0.192) | 12.77 (0.362) |
| 10 (254) | 5.51 (0.156) | 11.22 (0.318) |
| 9 (229) | 4.19 (0.119) | 9.64 (0.278) |
| 8 (203) | 2.83 (0.081) | 8.03 (0.227) |
| 7 (178) | 1.43 (0.041) | 6.40 (0.181) |
| 6 (152) | 0 | 4.74 (0.134) |
| 5 (127) | 0 | 3.95 (0.112) |
| 4 (102) | 0 | 3.16 (0.090) |
| 3 (76) | 0 | 2.37 (0.067) |
| 2 (51) | 0 | 1.58 (0.046) |
| 1 (25) | 0 | 0.79 (0.022) |

Note: Add 0.79 ft³ (0.022 m³) of storage for each additional inch (25 mm) of stone foundation.

ADS StormTech products, manufactured in accordance with ASTM F2418 or ASTM F2922, comply with all requirements in the Build America, Buy America (BABA) Act.

Storage Volume Per Chamber ft³ (m³)

| | Bare Chamber Storage ft ³ (m ³) | Chamber and Stone Foundation Depth in. (mm) | | |
|----------------|--|---|------------|------------|
| | | 6 (150) | 12 (300) | 18 (450) |
| SC-310 Chamber | 14.7 (0.4) | 31.0 (0.9) | 35.7 (1.0) | 40.4 (1.1) |

Note: Assumes 6" (150 mm) stone above chambers, 6" (150 mm) row spacing and 40% stone porosity.

Amount of Stone Per Chamber

| English Tons (yds ³) | Stone Foundation Depth | | |
|------------------------------------|------------------------|------------|------------|
| | 6" | 12" | 18" |
| SC-310 | 2.1 (1.5) | 2.7 (1.9) | 3.4 (2.4) |
| Metric Kilograms (m ³) | 150 mm | 300 mm | 450 mm |
| SC-310 | 1830 (1.1) | 2490 (1.5) | 2990 (1.8) |

Note: Assumes 6" (150 mm) of stone above and between chambers.

Volume Excavation Per Chamber yd³ (m³)

| | Stone Foundation Depth | | |
|--------|------------------------|-----------|-----------|
| | 6 (150) | 12 (300) | 18 (450) |
| SC-310 | 2.9 (2.2) | 3.4 (2.6) | 3.8 (2.9) |

Note: Assumes 6" (150 mm) of row separation and 18" (450 mm) of cover. The volume of excavation will vary as the depth of the cover increases.

Working on a project?

Visit us at adspipe.com/stormtech and utilize the Design Tool

