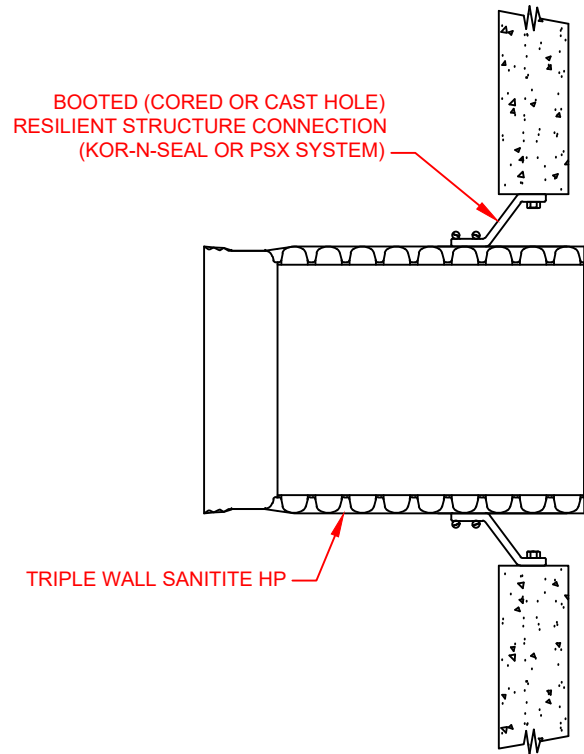


BOOTED (CORED OR CAST HOLE) RESILIENT STRUCTURE CONNECTION 30"-60" TRIPLE WALL SANITITE® HP



PIPE SIZE	PRESS SEAL® SYSTEMS *	TRELLEBORG
		KOR-N-SEAL® SERIES 306 *
30" (750mm)	40L	S306-38L-40
36" (900mm)	46L	S306-44L-46
42" (1050mm)	CONTACT PRESS SEAL	CONTACT TRELLEBORG
48" (1200mm)		
60" (1500mm)		

* THIRD PARTY - CODES AS SUPPLIED BY MANUFACTURER
 KOR-N-SEAL is a registered trademark of NPC, Inc. (www.npc.com)
 PSX:DIRECT DRIVE is registered trademarks of PRESS-SEAL GASKET CORPORATION. (www.press-seal.com)

NOTES:
 PERFORMANCE HIGHLY DEPENDENT ON INSTALLATION. CONTRACTOR MUST ENSURE MANHOLE GASKET IS UNIFORMLY SEATED AROUND STRUCTURE ADAPTER. EXTRA PRECAUTIONS MUST BE TAKEN TO PREVENT DIFFERENTIAL SETTLEMENT BETWEEN THE PIPE AND MANHOLE.

SEE STANDARD DETAIL STD-201 AND TECHNICAL NOTE: 5.04 CONNECTIONS TO MANHOLES AND STRUCTURES FOR INSTALLATION RECOMMENDATIONS.

8	UPDATED DETAIL AND TABLE	AMT	04-26-19	
REV.	DESCRIPTION	BY	MM/DD/YY	CHK'D

© 2019 ADS, INC.

ADVANCED DRAINAGE SYSTEMS, INC. ("ADS") HAS PREPARED THIS DETAIL BASED ON INFORMATION PROVIDED TO ADS. THIS DRAWING IS INTENDED TO DEPICT THE COMPONENTS AS REQUESTED. ADS HAS NOT PERFORMED ANY ENGINEERING OR DESIGN SERVICES FOR THIS PROJECT, NOR HAS ADS INDEPENDENTLY VERIFIED THE INFORMATION SUPPLIED. THE INSTALLATION DETAILS PROVIDED HEREIN ARE GENERAL RECOMMENDATIONS AND ARE NOT SPECIFIC FOR THIS PROJECT. THE DESIGN ENGINEER SHALL REVIEW THESE DETAILS PRIOR TO CONSTRUCTION. IT IS THE DESIGN ENGINEERS RESPONSIBILITY TO ENSURE THE DETAILS PROVIDED HEREIN MEETS OR EXCEEDS THE APPLICABLE NATIONAL, STATE, OR LOCAL REQUIREMENTS AND TO ENSURE THAT THE DETAILS PROVIDED HEREIN ARE ACCEPTABLE FOR THIS PROJECT.

30-60 SANITITE HP BOOTED (CORED OR CAST HOLE) STRUCTURE CONNECTION

DRAWING NUMBER: STD-205F



4640 TRUEMAN BLVD
 HILLIARD, OHIO 43026

DRAWN BY:	JAB
DATE:	4/3/09
CHK'D BY:	
SCALE:	NTS
SHEET:	1 OF 1