

Duraslot® Submittal Package



Package Contents

1. Product overview
 - a. ADS standard specification
2. Duraslot standard drawings
 - a. Standard Slot Height
 - b. Custom Slot Height
 - c. Grate (by McNichols Co.)
 - d. Grated assembly
 - e. Open top assembly

adspipe.com
800-821-6710



DURASLOT® SLOTTED DRAIN SPECIFICATION

Scope

This specification describes 4- through 36-inch (100 to 900 mm) Duraslot slotted drain for use in surface drain and conveyance applications.

Pipe Requirements

Duraslot pipe, as manufactured and distributed by ADS, Inc., shall have a smooth interior and annular exterior corrugations with an aluminum slot grate frame mounted longitudinally along the length of the pipe to accept the grate while maintaining the original pipe diameter.

- 4- through 10-inch (100 to 250 mm) pipe shall meet AASHTO M252, Type S.
- 12- through 36-inch (300 to 900 mm) pipe shall meet AASHTO M294, Type S or ASTM F2306.
- Manning's "n" value for use in design shall be 0.012.

The aluminum slot grate frame shall be manufactured from 0.063-inch (1.6 mm) tempered commercial aluminum meeting the requirements of ASTM B209, consisting of two parallel plates separated by spacers spanning the slot on 6-inch (150 mm) centers. The aluminum slot grate frame shall be coated with a primer to protect the aluminum when installed in concrete. The grate shall be ½ - #13 galvanized steel or ½ - #13 304 stainless steel per ASTM F1267. Alternatively, aluminum slot grate may be left open top. The grate shall have diamond-shaped openings with a 52% open area and be ADA compliant. The flange at the bottom of the aluminum slot grate frame shall be riveted to the pipe with a minimum of two rivets per linear foot.

Fittings

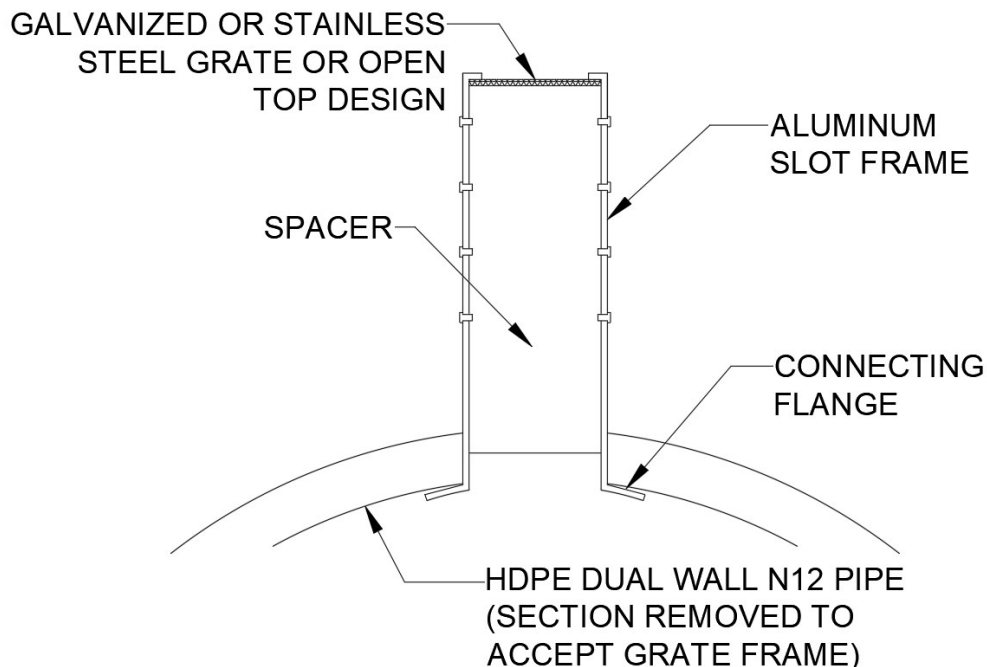
Duraslot fittings shall be modified from fittings which conform to AASHTO M252, AASHTO M294 or ASTM F2306.

Build America, Buy America (BABA)

Duraslot pipe, manufactured in accordance with AASHTO M252, AASHTO M294 or ASTM F2306, complies with the requirements in the Build America, Buy America (BABA) Act.

Installation

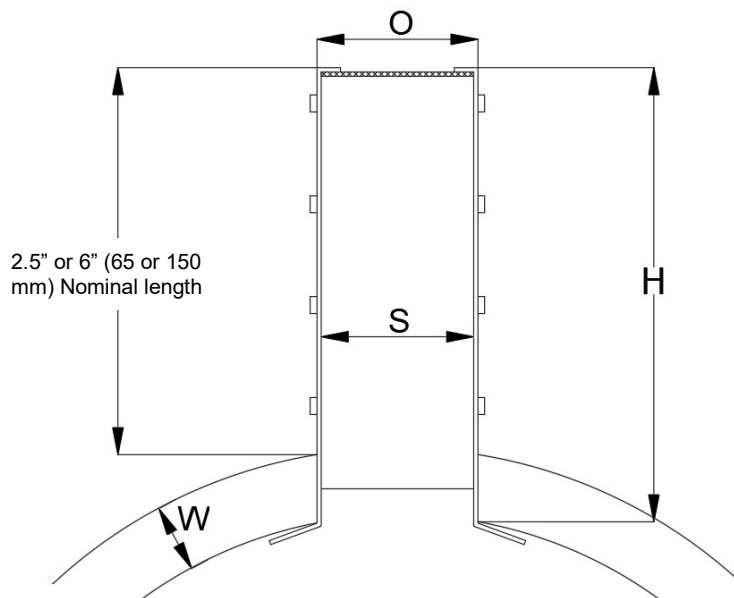
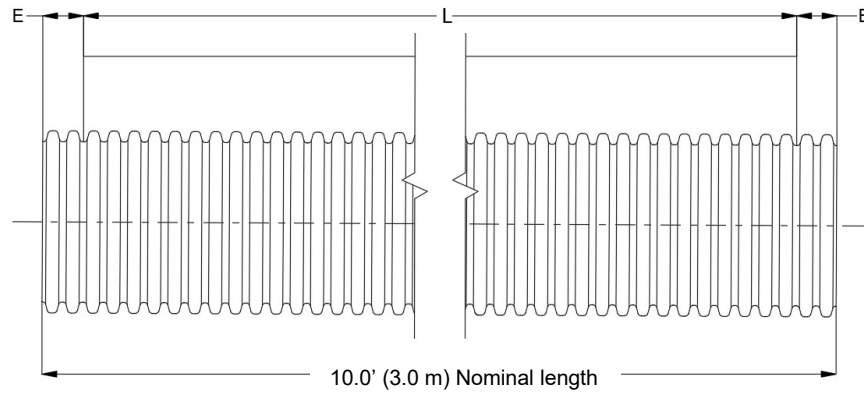
Installation shall be in accordance with ADS recommended installation instructions. Contact your local ADS representative or visit www.adspipe.com for a copy of the latest installation guidelines.

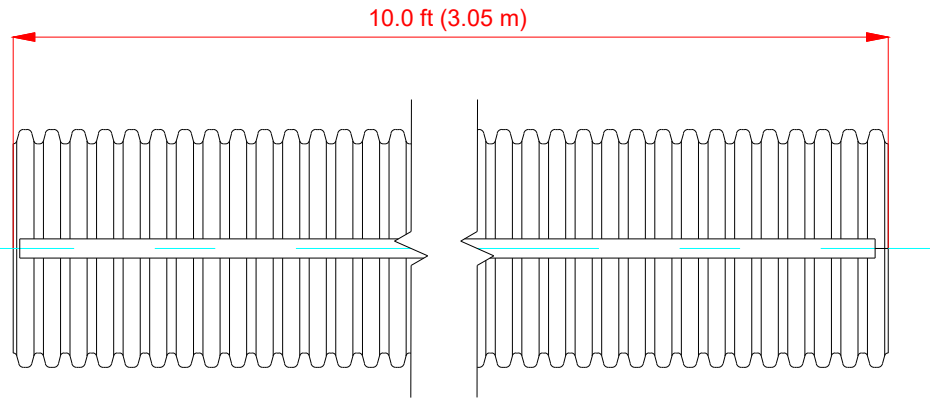


Duraslot Standard Dimensions

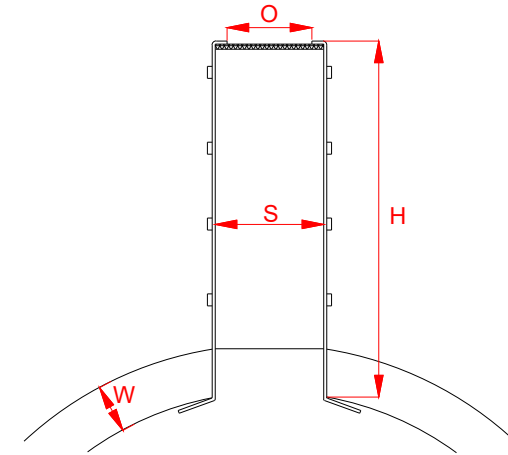
	Nominal Pipe Diameter in (mm)									
	4" (100)	6" (150)	8" (200)	10" (250)	12" (300)	15" (375)	18" (450)	24" (600)	30" (750)	36" (900)
L - Drain Grate Length)	118.0 (2997)					116.0 (2946)				
E - Pipe End Length	1.0 (25)					2.0 (51)				
H -.5" slot	2.75 (70)	3.0 (76)	3.0 (76)	3.0 (76)	3.5 (89)	3.75 (95)	4.0 (102)	4.75 (121)	5.0 (127)	5.25 (133)
H - 6.0" slot	6.25 (159)	6.5 (165)	6.5 (165)	6.5 (165)	7.0 (178)	7.0 (178)	7.0 (178)	7.25 (184)	8.25 (210)	8.25 (210)
O - Opening Width	1.25 (32)	1.75 (44)	1.75 (44)	1.75 (44)	1.75 (44)	1.75 (44)	1.75 (44)	1.75 (44)	1.75 (44)	1.75 (44)
S - Slot Width	1.75 (44)	2.25 (57)	2.25 (77)	2.25 (77)	2.25 (77)	2.25 (77)	2.25 (77)	2.25 (77)	2.25 (77)	2.25 (77)
W - Pipe Width with Corrugations	0.34 (9)	0.46 (12)	0.61 (15)	0.73 (19)	1.15 (29)	1.30 (33)	1.57 (40)	1.86 (47)	2.55 (65)	2.85 (72)

Note: Custom slot heights available upon request. Production of custom slots will require approval by the Duraslot Project Engineer. Signed shop drawings also required from interested party.

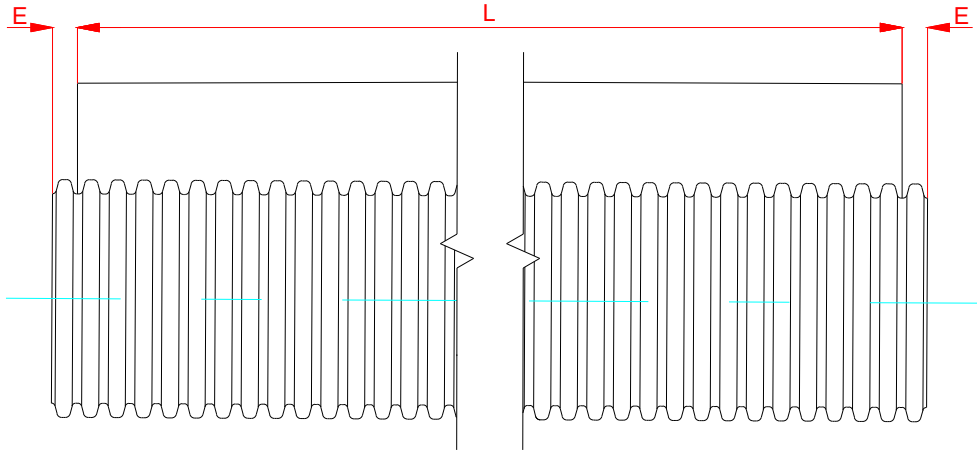




PLAN VIEW



CROSS SECTION



PROFILE VIEW

PIPE Ø, in (mm)	H, in (mm)	W, in (mm)	O, in (mm)	S, in (mm)	L in (mm)	E in (mm)	GRATED PRODUCT #	OPEN TOP PRODUCT #							
4 (100)	2.75 (70)	0.34 (9)	1.25 (32)	1.75 (44)	118.0 (2997)	1.0 (25)	0420DS	0420DSOT							
4 (100)	6.25 (159)						0460DS	0460DSOT							
6 (150)	3.00 (76)	0.46 (13)	1.75 (44)	118.0 (2997)			1.0 (25)	0620DS	0620DSOT						
6 (150)	6.50 (165)							0660DS	0660DSOT						
8 (200)	3.00 (76)	0.61 (15)	1.75 (44)					118.0 (2997)	1.0 (25)	0820DS	0820DSOT				
8 (200)	6.50 (165)									0860DS	0860DSOT				
10 (250)	3.00 (76)	0.73 (19)	1.75 (44)							118.0 (2997)	1.0 (25)	1020DS	1020DSOT		
10 (250)	6.50 (165)											1060DS	1060DSOT		
12 (300)	3.50 (89)	1.15 (29)	1.75 (44)									116.0 (2946)	2.0 (51)	1220DS	1220DSOT
12 (300)	7.00 (178)													1260DS	1260DSOT
15 (375)	7.00 (178)	1.30 (33)	1.75 (44)		116.0 (2946)	2.0 (51)								1560DS	1560DSOT
18 (450)	7.00 (178)	1.57 (40)												1860DS	1860DSOT
24 (600)	7.25 (184)	1.86 (47)	1.75 (44)	116.0 (2946)			2.0 (51)							2460DS	2460DSOT
30 (750)	8.25 (210)	2.55 (65)												3060DS	3060DSOT
36 (900)	8.25 (210)	2.85 (72)	1.75 (44)					116.0 (2946)	2.0 (51)					3660DS	3660DSOT

NOTES:

1. ADA COMPLIANT GRATING OR OPEN TOP SURFACE TREATMENT OPTIONS AVAILABLE

© 2022 ADS, INC.

REV.	DESCRIPTION	BY	MM/DD/YY	CHK'D
0	-	-	-	-

ADVANCED DRAINAGE SYSTEMS, INC. ("ADS") HAS PREPARED THIS DETAIL BASED ON INFORMATION PROVIDED TO ADS. THIS DRAWING IS INTENDED TO DEPICT THE COMPONENTS AS REQUESTED. ADS HAS NOT PERFORMED ANY ENGINEERING OR DESIGN SERVICES FOR THIS PROJECT, NOR HAS ADS INDEPENDENTLY VERIFIED THE INFORMATION SUPPLIED. THE INSTALLATION DETAILS PROVIDED HEREIN ARE GENERAL RECOMMENDATIONS AND ARE NOT SPECIFIC FOR THIS PROJECT. THE DESIGN ENGINEER SHALL REVIEW THESE DETAILS PRIOR TO CONSTRUCTION. IT IS THE DESIGN ENGINEERS RESPONSIBILITY TO ENSURE THE DETAILS PROVIDED HEREIN MEETS OR EXCEEDS THE APPLICABLE NATIONAL, STATE, OR LOCAL REQUIREMENTS AND TO ENSURE THAT THE DETAILS PROVIDED HEREIN ARE ACCEPTABLE FOR THIS PROJECT.

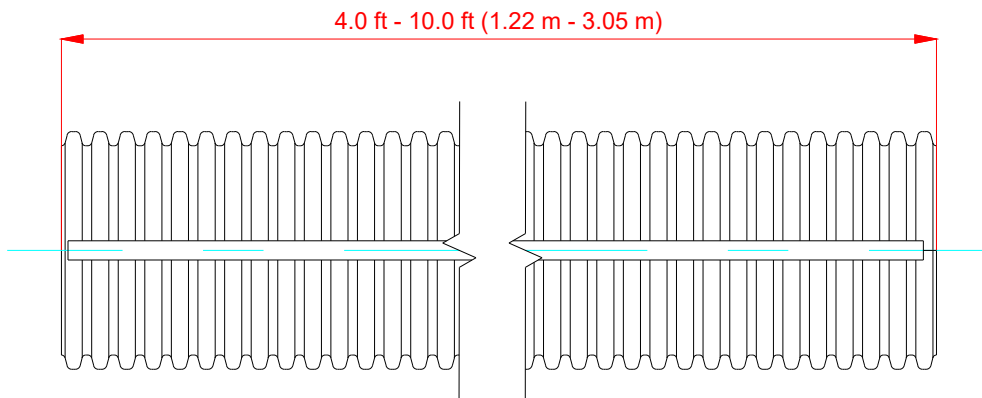
Duraslot Pipe
Standard Slot Height

DRAWING NUMBER: STD-1400A

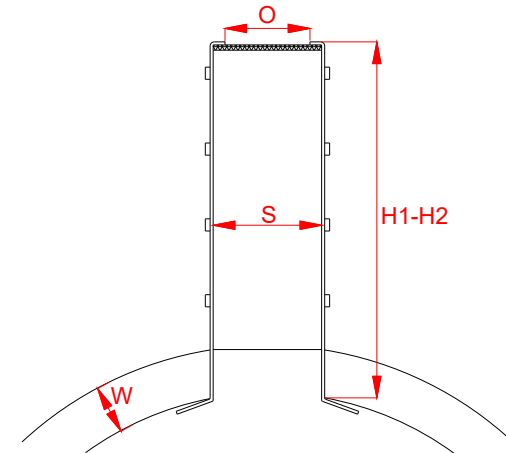


4640 TRUEMAN BLVD
HILLIARD, OHIO 43026

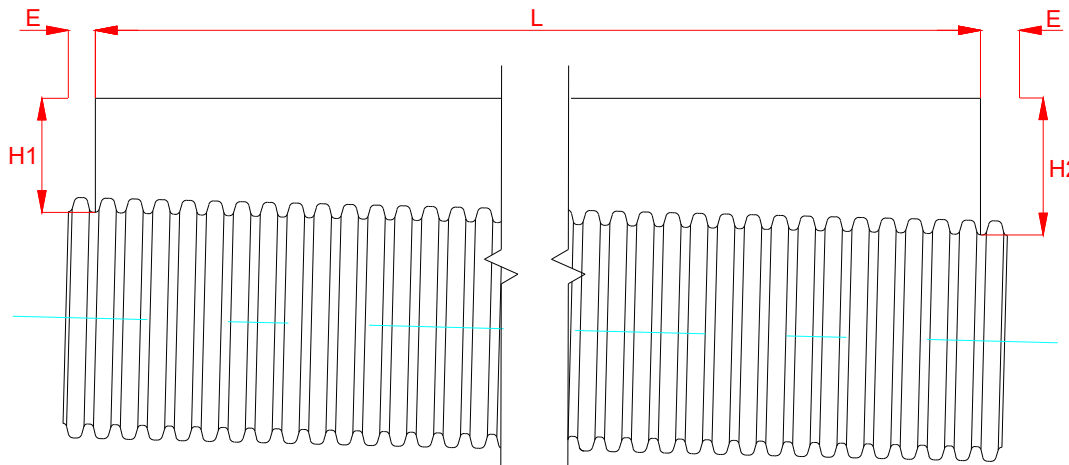
DRAWN BY:	KJS
DATE:	05-18-2023
CHK'D BY:	
SCALE:	NTS
SHEET:	1 OF 1



PLAN VIEW



CROSS SECTION



PROFILE VIEW

NOTES:

1. ADA COMPLIANT GRATING OR OPEN TOP SURFACE TREATMENT OPTIONS AVAILABLE
2. H1 AND H2 VARY BASED ON PROJECT SPECIFICATIONS AND MAY NOT RESEMBLE THE IMAGES SHOWN ABOVE.

PIPE Ø, in (mm)	H1-H2, in (mm)	W, in (mm)	O, in (mm)	S, in (mm)	L, in (mm)	E, in (mm)	PRODUCT #
4 (100)	2.75 - 24.00 (70 - 610)	0.34 (9)	1.25 (32)	1.75 (44)	46 - 118.0 (1168 - 2997)	1.0 (25)	0490DS
6 (150)	3.00 - 24.00 (76 - 610)	0.46 (13)	1.75 (44)	2.25 (57)			0690DS
8 (200)	3.00 - 24.00 (76 - 610)	0.61 (15)					0890DS
10 (250)	3.00 - 24.00 (76 - 610)	0.73 (19)					1090DS
12 (300)	3.50 - 24.00 (89 - 609)	1.15 (29)			46 - 116.0 (1168 - 2946)	2.0 (51)	1290DS
12 (300)	24.01 - 36.00 (610 - 914)	1.30 (33)	1290DSDT				
15 (375)	3.75 - 24.00 (95 - 609)		1590DS				
15 (375)	24.01 - 36.00 (610 - 914)		1590DSDT				
18 (450)	4.00 - 24.00 (102 - 609)		1.57 (40)	46 - 116.0 (1168 - 2946)	2.0 (51)	1890DS	
18 (450)	24.01 - 36.00 (610 - 914)	1.86 (40)	1890DSDT				
24 (600)	4.25 - 24.00 (121 - 609)		2490DS				
24 (600)	24.01 - 36.00 (610 - 914)		2490DSDT				
30 (750)	5.00 - 24.00 (127 - 609)		2.55 (65)	46 - 116.0 (1168 - 2946)	2.0 (51)	3090DS	
30 (750)	24.01 - 36.00 (610 - 914)	2.85 (72)	3090DSDT				
36 (900)	5.25 - 24.00 (133 - 609)		3690DS				
36 (900)	24.01 - 36.00 (610 - 914)		3690DSDT				

© 2022 ADS, INC.

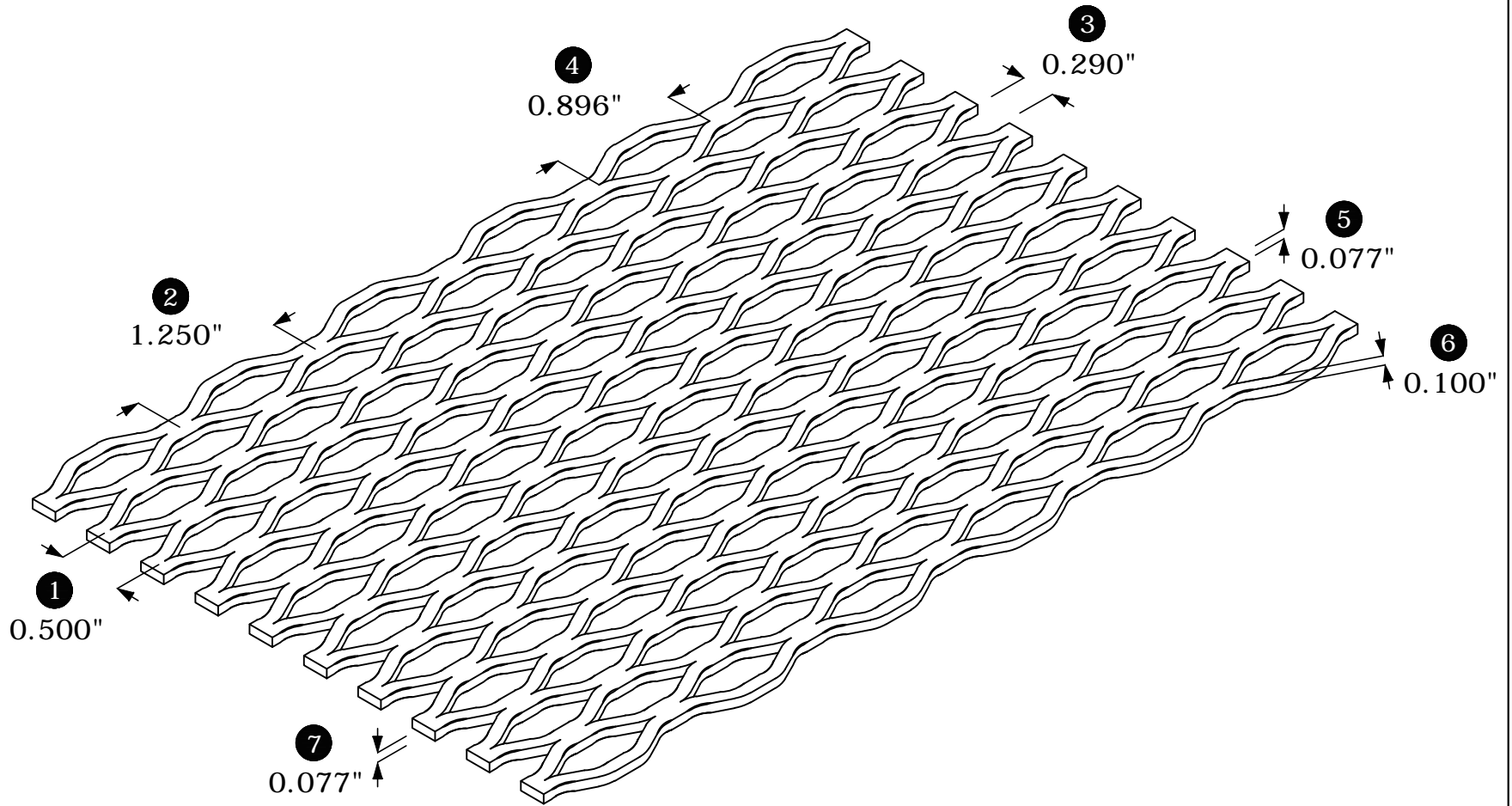
0	-	-	-	-
REV.	DESCRIPTION	BY	MM/DD/YY	CHK'D

ADVANCED DRAINAGE SYSTEMS, INC. ("ADS") HAS PREPARED THIS DETAIL BASED ON INFORMATION PROVIDED TO ADS. THIS DRAWING IS INTENDED TO DEPICT THE COMPONENTS AS REQUESTED. ADS HAS NOT PERFORMED ANY ENGINEERING OR DESIGN SERVICES FOR THIS PROJECT, NOR HAS ADS INDEPENDENTLY VERIFIED THE INFORMATION SUPPLIED. THE INSTALLATION DETAILS PROVIDED HEREIN ARE GENERAL RECOMMENDATIONS AND ARE NOT SPECIFIC FOR THIS PROJECT. THE DESIGN ENGINEER SHALL REVIEW THESE DETAILS PRIOR TO CONSTRUCTION. IT IS THE DESIGN ENGINEERS RESPONSIBILITY TO ENSURE THE DETAILS PROVIDED HEREIN MEETS OR EXCEEDS THE APPLICABLE NATIONAL, STATE, OR LOCAL REQUIREMENTS AND TO ENSURE THAT THE DETAILS PROVIDED HEREIN ARE ACCEPTABLE FOR THIS PROJECT.

**Duraslot Pipe
Custom Slot Height**
DRAWING NUMBER: STD-1401A

ADS
Advanced Drainage Systems, Inc.
4640 TRUEMAN BLVD
HILLIARD, OHIO 43026

DRAWN BY: KJS
DATE: 05-19-2023
CHECKED BY:
SCALE: NTS
SHEET 1 OF 1



McNICHOLS CO.



McNICHOLS CO. has based these drawings on the data provided by you, and they are intended solely for visual and conceptual information purposes as part of the order process. ANY USE OF THESE DRAWINGS (INCLUDING DESIGN AND DIMENSIONS) MUST BE CHECKED BY YOUR ENGINEER TO DETERMINE WHETHER THE DRAWINGS (INCLUDING DESIGN AND DIMENSIONS) ARE ADEQUATE FOR THE INTENDED USE. McNICHOLS CO. makes no representation or warranty (express or implied) regarding such drawings and expressly disclaims all implied warranties regarding them including but not limited to any implied warranties of merchantability of fitness for a particular purpose. McNICHOLS CO. will in no event be liable for your use or the results of your use of these drawings, and you assume all risk and liability for any losses, damage, claims or expenses resulting from such use.

McNICHOLS® EXPANDED METAL

EXPANDED TYPE:	Flattened
PRIMARY MATERIAL:	Galvanized Steel
STYLE & TYPE:	1/2 #13 Flattened
PERCENT OPEN AREA:	64%
① SHORT WAY OF DESIGN (SWD):	0.500"
② LONG WAY OF DESIGN (LWD):	1.250"
③ SHORT WAY OF OPENING (SWO):	0.290"
④ LONG WAY OF OPENING (LWO):	0.896"
⑤ STRAND THICKNESS:	0.077"
⑥ STRAND WIDTH:	0.100"
⑦ OVERALL THICKNESS:	0.077"

APPROVAL

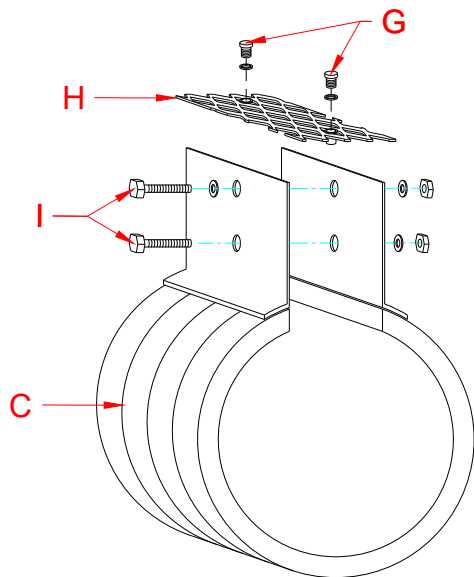
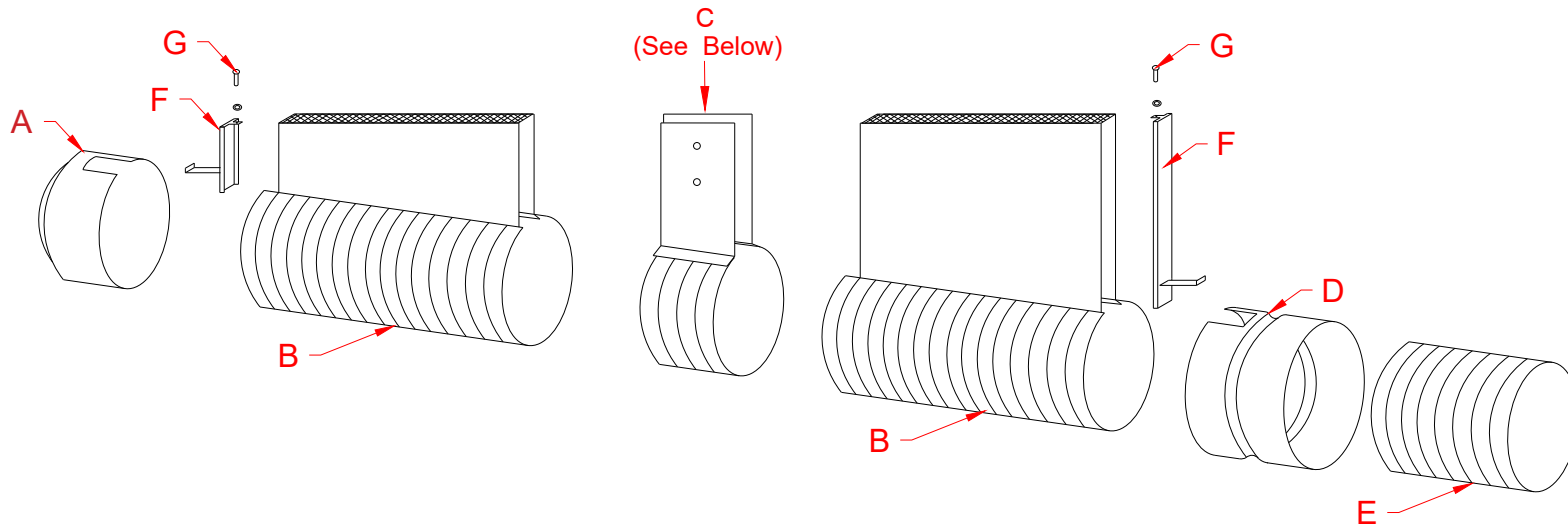
JOB NAME:
DATE:
COMPANY:
NAME:
TITLE:
SIGNATURE:

EXPANDED METAL
SPECIFICATIONS MAY VARY
SLIGHTLY WITHIN MILL
TOLERANCES.

DRAWING INFORMATION

NOT TO SCALE	
DWG NUMBER	REVISION
53E01213	A

Inspired to Serve!®
©McNICHOLS CO. 2018



**DURASLOT COUPLER BAND (C)
HARDWARE ASSEMBLY**

- A. Duraslot End Cap
- B. Duraslot Pipe
- C. Duraslot Coupler Band
- D. Duraslot Adapter
- E. ADS N-12 Pipe or HP Storm Pipe or Plain End Fitting
- F. Duraslot Grate Anchor Assembly
- G. 1/4" - 20 Flat Head Screw w/ Washer
- H. Duraslot Grate Connector
- I. Hex Head Assembly:
(1) 5/16" x 3 1/2" Hex Head Screw
w/ (2) Washers and (1) 5/16" - 18 Hex Nut

NOTE: - Slot height may vary per project
 - Each Cap (A) & Adapter (D) comes with Hardware - F, G
 - Each Coupler Band (C) comes with Hardware - G, H, I & J

© 2024 ADS, INC.

0	-	-	-	-
REV.	DESCRIPTION	BY	MM/DD/YY	CHK'D

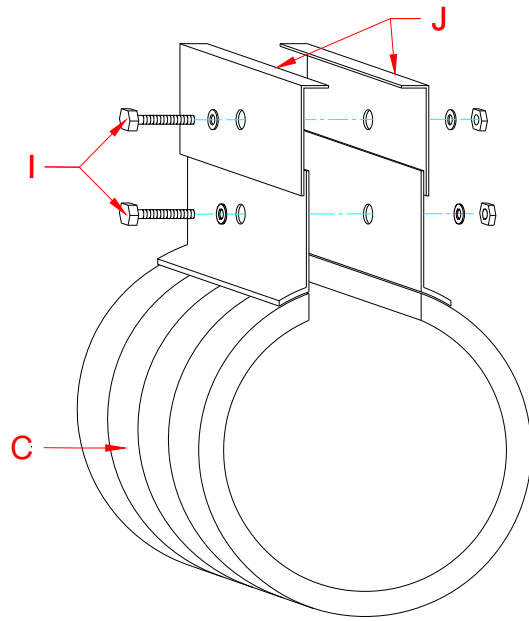
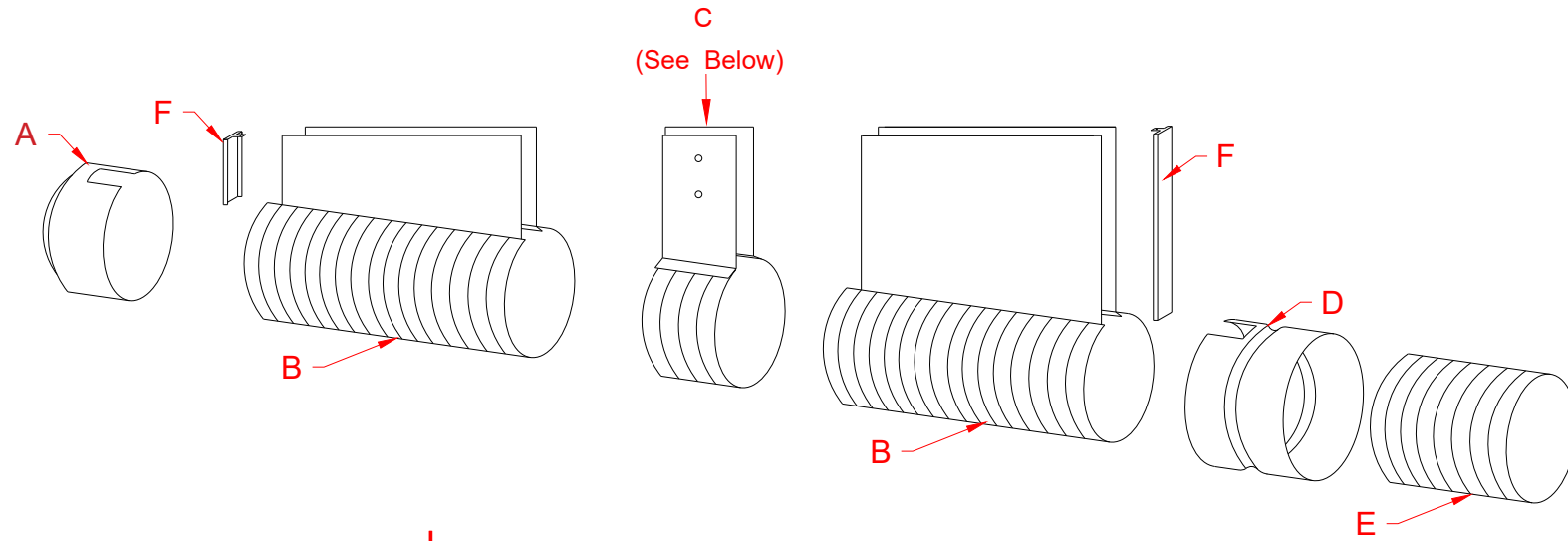
ADVANCED DRAINAGE SYSTEMS, INC. ("ADS") HAS PREPARED THIS DETAIL BASED ON INFORMATION PROVIDED TO ADS. THIS DRAWING IS INTENDED TO DEPICT THE COMPONENTS AS REQUESTED. ADS HAS NOT PERFORMED ANY ENGINEERING OR DESIGN SERVICES FOR THIS PROJECT. NOR HAS ADS INDEPENDENTLY VERIFIED THE INFORMATION SUPPLIED. THE INSTALLATION DETAILS PROVIDED HEREIN ARE GENERAL RECOMMENDATIONS AND ARE NOT SPECIFIC FOR THIS PROJECT. THE DESIGN ENGINEER SHALL REVIEW THESE DETAILS PRIOR TO CONSTRUCTION. IT IS THE DESIGN ENGINEERS RESPONSIBILITY TO ENSURE THE DETAILS PROVIDED HEREIN MEETS OR EXCEEDS THE APPLICABLE NATIONAL, STATE, OR LOCAL REQUIREMENTS AND TO ENSURE THAT THE DETAILS PROVIDED HEREIN ARE ACCEPTABLE FOR THIS PROJECT.

Duraslot Assembly
 DRAWING NUMBER: STD-1480A



4640 TRUEMAN BLVD
 HILLIARD, OHIO 43026

DRAWN BY:	KJS
DATE:	03-26-2024
CHK'D BY:	
SCALE:	NTS
SHEET:	1 OF 1



**DURASLOT COUPLER BAND (C)
HARDWARE ASSEMBLY**

- A. Duraslot End Cap
- B. Duraslot Pipe
- C. Duraslot Coupler Band
- D. Duraslot Adapter
- E. ADS N-12 Pipe or HP Storm Pipe or Plain End Fitting
- F. Duraslot Slot Cap
- G. N/A
- H. N/A
- I. Hex Head Assembly:
 (1) $\frac{5}{16}$ " x $3\frac{1}{2}$ " Hex Head Screw
 w/ (2) Washers and (1) $\frac{5}{16}$ " - 18 Hex Nut
- J. Duraslot Band Flanges

NOTE: - Slot height may vary per project
 - Each Cap (A) & Adapter (D) comes with a Grate Anchor (F)
 - Each Coupler Band (C) comes with Hardware - I, K & K

© 2024 ADS, INC.

0	-	-	-	-
REV.	DESCRIPTION	BY	MM/DD/YY	CHK'D

ADVANCED DRAINAGE SYSTEMS, INC. ("ADS") HAS PREPARED THIS DETAIL BASED ON INFORMATION PROVIDED TO ADS. THIS DRAWING IS INTENDED TO DEPICT THE COMPONENTS AS REQUESTED. ADS HAS NOT PERFORMED ANY ENGINEERING OR DESIGN SERVICES FOR THIS PROJECT. NOR HAS ADS INDEPENDENTLY VERIFIED THE INFORMATION SUPPLIED. THE INSTALLATION DETAILS PROVIDED HEREIN ARE GENERAL RECOMMENDATIONS AND ARE NOT SPECIFIC FOR THIS PROJECT. THE DESIGN ENGINEER SHALL REVIEW THESE DETAILS PRIOR TO CONSTRUCTION. IT IS THE DESIGN ENGINEERS RESPONSIBILITY TO ENSURE THE DETAILS PROVIDED HEREIN MEETS OR EXCEEDS THE APPLICABLE NATIONAL, STATE, OR LOCAL REQUIREMENTS AND TO ENSURE THAT THE DETAILS PROVIDED HEREIN ARE ACCEPTABLE FOR THIS PROJECT.

Duraslot Open Top Assembly
 DRAWING NUMBER: STD-1480C



4640 TRUEMAN BLVD
 HILLIARD, OHIO 43026

DRAWN BY:	KJS
DATE:	03-26-2024
CHK'D BY:	
SCALE:	NTS
SHEET:	1 OF 1