

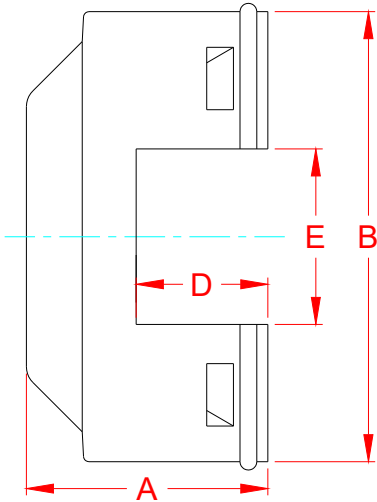
END CAP FOR DURASLOT DIMENSIONS

PIPE Ø, in (mm)	A, in (mm)	B, in (mm)	C, in (mm)	D, in (mm)	E, in (mm)	PRODUCT # (Std./Cust. Slot)
6 (150)	4.50 (114)	5.12 (130)	7.63 (194)	3.00 (76)	2.50 (64)	0633DS/ 0693DS
8 (200)	4.25 (108)	6.95 (177)	N/A	2.50 (64)	2.50 (64)	0833DS/ 0893DS
10 (250)	5.00 (127)	9.88 (251)	12.13 (308)	3.50 (89)	2.50 (64)	1033DS/ 1093DS
12 (300)	5.76 (146)	11.56 (294)	N/A	4.25 (108)	2.50 (64)	1233DS/ 1293DS
15 (375)	7.77 (197)	N/A	N/A	6.25 (159)	2.50 (64)	1533DS/ 1593DS
18 (450)	8.04 (204)	N/A	N/A	6.50 (165)	2.50 (64)	1833DS/ 1893DS
24 (600)	9.45 (240)	N/A	N/A	8.00 (200)	2.50 (64)	2433DS/ 2493DS
30 (750)	N/A	N/A	N/A	N/A	N/A	3033DS/ 3093DS
36 (900)	N/A	N/A	N/A	N/A	N/A	3633DS/ 3693DS

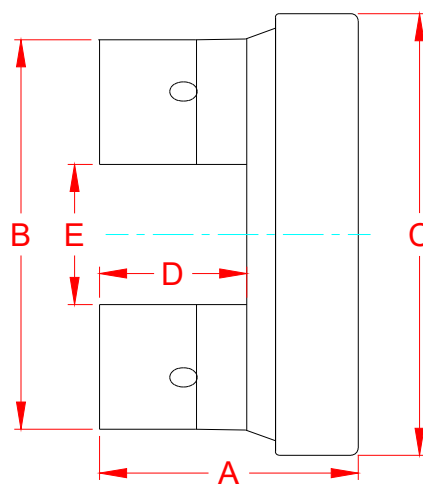
END CAP FOR DURASLOT XL DIMENSIONS

PIPE Ø, in (mm)	A, in (mm)	B, in (mm)	C, in (mm)	D, in (mm)	E, in (mm)	PRODUCT # (Std./Cust. Slot)
6 (150)	4.50 (114)	5.12 (130)	7.63 (194)	3.00 (76)	2.50 (64)	0633DSXL/ 0693DSXL
8 (200)	4.25 (108)	6.95 (177)	N/A	2.50 (64)	2.50 (64)	0833DSXL/ 0893DSXL
10 (250)	5.00 (127)	9.88 (251)	12.13 (308)	3.50 (89)	2.50 (64)	1033DSXL/ 1093DSXL
12 (300)	5.76 (146)	11.56 (294)	N/A	4.25 (108)	2.50 (64)	1233DSXL/ 1293DSXL
15 (375)	7.77 (197)	N/A	N/A	6.25 (159)	2.50 (64)	1533DSXL/ 1593DSXL
18 (450)	8.04 (204)	N/A	N/A	6.50 (165)	2.50 (64)	1833DSXL/ 1893DSXL
24 (600)	9.45 (240)	N/A	N/A	8.00 (200)	2.50 (64)	2433DSXL/ 2493DSXL
30 (750)	N/A	N/A	N/A	N/A	N/A	3033DSXL/ 3093DSXL
36 (900)	N/A	N/A	N/A	N/A	N/A	3633DSXL/ 3693DSXL

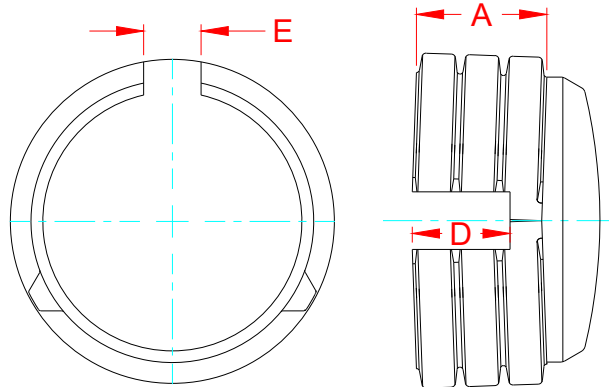
ST CLEATED END CAP FOR 8" PIPE DIAMETER



SPIGOT END CAP FOR 6 & 10" PIPE DIAMETER



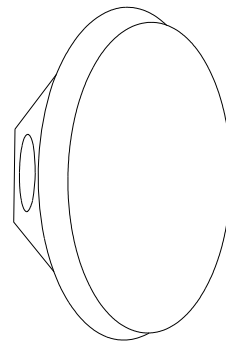
SPLIT END CAP FOR 12" - 24" PIPE DIAMETER



END VIEW

TOP VIEW

TAYLOR END PLUG FOR 30 & 36" PIPE DIAMETER



NOTES:

1. ALL FITTING DIMENSIONS ARE FOR REFERENCE ONLY.
2. ALL HARDWARE REQUIRED FOR ASSEMBLY IS INCLUDED WITH THE PURCHASE OF A COUPLER BAND, INCLUDING A SLOT END CAP.
3. THE TAYLOR END PLUG IS UTILIZED AS A PERMANENT END TREATMENT WITH DURASLOT PIPE.

1	Part numbers corrected	KJS	05/19/2023	-
REV.	DESCRIPTION	BY	MM/DD/YY	CHK'D

© 2022 ADS, INC.

ADVANCED DRAINAGE SYSTEMS, INC. ("ADS") HAS PREPARED THIS DETAIL BASED ON INFORMATION PROVIDED TO ADS. THIS DRAWING IS INTENDED TO DEPICT THE COMPONENTS AS REQUESTED. ADS HAS NOT PERFORMED ANY ENGINEERING OR DESIGN SERVICES FOR THIS PROJECT, NOR HAS ADS INDEPENDENTLY VERIFIED THE INFORMATION SUPPLIED. THE INSTALLATION DETAILS PROVIDED HEREIN ARE GENERAL RECOMMENDATIONS AND ARE NOT SPECIFIC FOR THIS PROJECT. THE DESIGN ENGINEER SHALL REVIEW THESE DETAILS PRIOR TO CONSTRUCTION. IT IS THE DESIGN ENGINEERS RESPONSIBILITY TO ENSURE THE DETAILS PROVIDED HEREIN MEETS OR EXCEEDS THE APPLICABLE NATIONAL, STATE, OR LOCAL REQUIREMENTS AND TO ENSURE THAT THE DETAILS PROVIDED HEREIN ARE ACCEPTABLE FOR THIS PROJECT.

Duraslot & Duraslot XL End Cap

DRAWING NUMBER: STD-1411



4640 TRUEMAN BLVD
HILLIARD, OHIO 43026

DRAWN BY:	KJS
DATE:	04-18-2023
CHK'D BY:	
SCALE:	NTS
SHEET:	1 OF 1