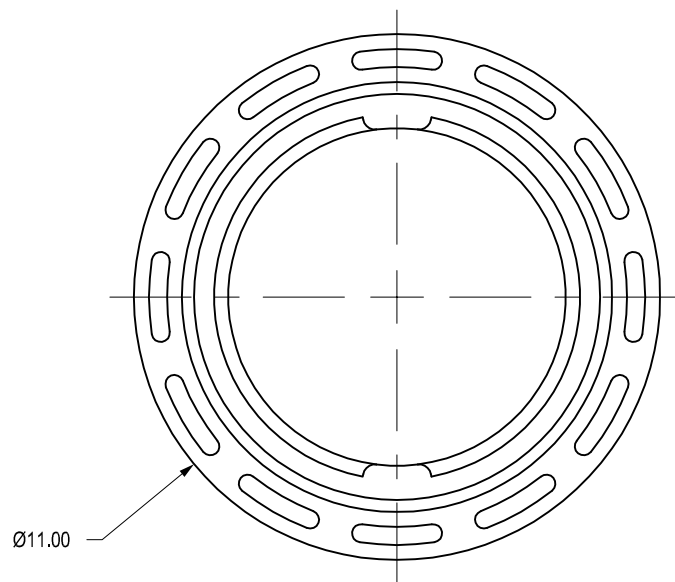
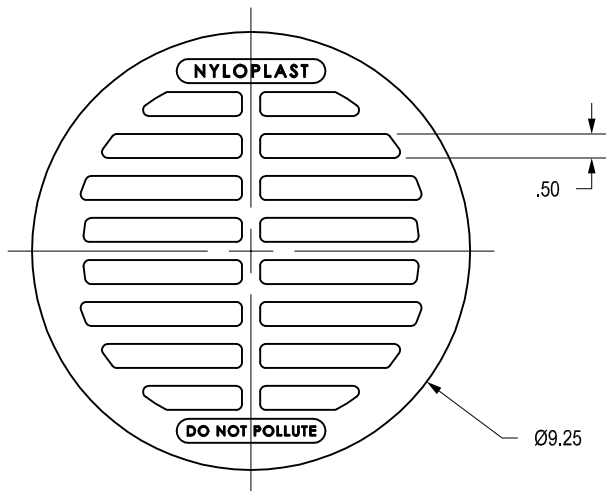
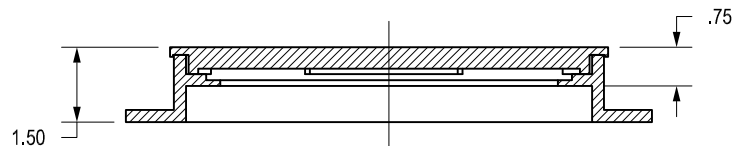


0899CGBF

APPROX. DRAIN AREA = 22.53 SQ IN
 APPROX. WEIGHT WITH FRAME = 7.84 LBS



DIMENSIONS ARE FOR REFERENCE ONLY
 ACTUAL DIMENSIONS MAY VARY
 DIMENSIONS ARE IN INCHES
 GRATE HAS LIGHT DUTY RATING
 SIZE OF OPENING MEETS REQUIREMENTS OF AMERICAN DISABILITY
 ACT AS STATED IN FEDERAL REGISTER PART III, DEPARTMENT OF
 JUSTICE, 28 CFR PART 36.
 LOCKING DEVICE AVAILABLE UPON REQUEST

THIS PRINT DISCLOSES SUBJECT MATTER IN WHICH NYLOPLAST HAS PROPRIETARY RIGHTS. THE RECEIPT OR POSSESSION OF THIS PRINT DOES NOT CONFER, TRANSFER, OR LICENSE THE USE OF THE DESIGN OR TECHNICAL INFORMATION SHOWN HEREIN REPRODUCTION OF THIS PRINT OR ANY INFORMATION CONTAINED HEREIN, OR MANUFACTURE OF ANY ARTICLE HEREFROM, FOR THE DISCLOSURE TO OTHERS IS FORBIDDEN, EXCEPT BY SPECIFIC WRITTEN PERMISSION FROM NYLOPLAST.
 ©2007 NYLOPLAST

DRAWN BY	NMH	MATERIAL	DUCTILE IRON FRAME BRONZE GRATE	
DATE	7-25-19	PROJECT NO./NAME		
APPD BY	NMH	SCALE	1:4	SHEET 1 OF 1
DATE	7-25-19	DWG NO.	7001-110-561	REV A
DWG SIZE	A			



3130 VERONA AVE
 BUFORD, GA 30518
 PHN (770) 932-2443
 FAX (770) 932-2490
 www.nyloplast-us.com

TITLE	8 IN BRONZE GRATE ASSEMBLY - TYPE B		
DWG NO.	7001-110-561	REV	A