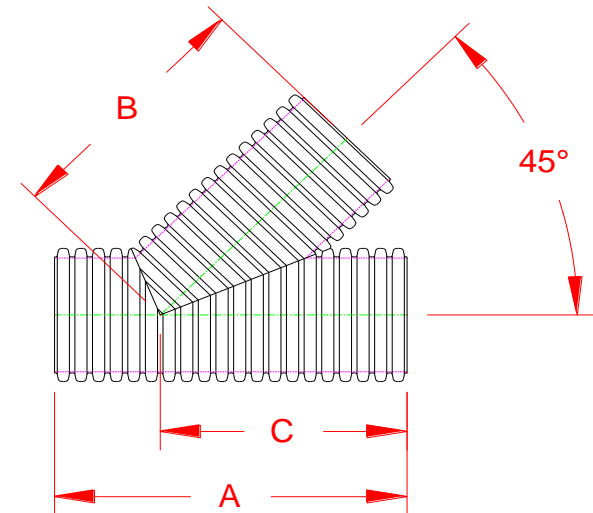


**HP STORM DUAL WALL FABRICATED 45° WYES
12" - 18" DIAMETER (PLAIN END)**

PART #	PIPE SIZE	A	B	C	JOINT
1284ANP	12 in (300 mm)	39.2 in (996 mm)	27.4 in (696 mm)	27.4 in (696 mm)	ST
1585ANP	15 in (375 mm)	49.8 in (1265 mm)	34.1 in (865 mm)	34.1 in (866 mm)	ST
1886ANP	18 in (450 mm)	52.9 in (1343 mm)	37.0 in (940 mm)	37.0 in (940 mm)	ST



NOTE: ALL FITTINGS DIMENSIONS ARE FOR REFERENCE ONLY

© 2021 Advanced Drainage Systems, Inc.

 Advanced Drainage Systems, Inc.	DRAWING #:	HP 10000
	DRAWN BY:	TJR 10/14/2009
	APPROVED BY:	
	REVISIONS:	TJR 3/24/2016