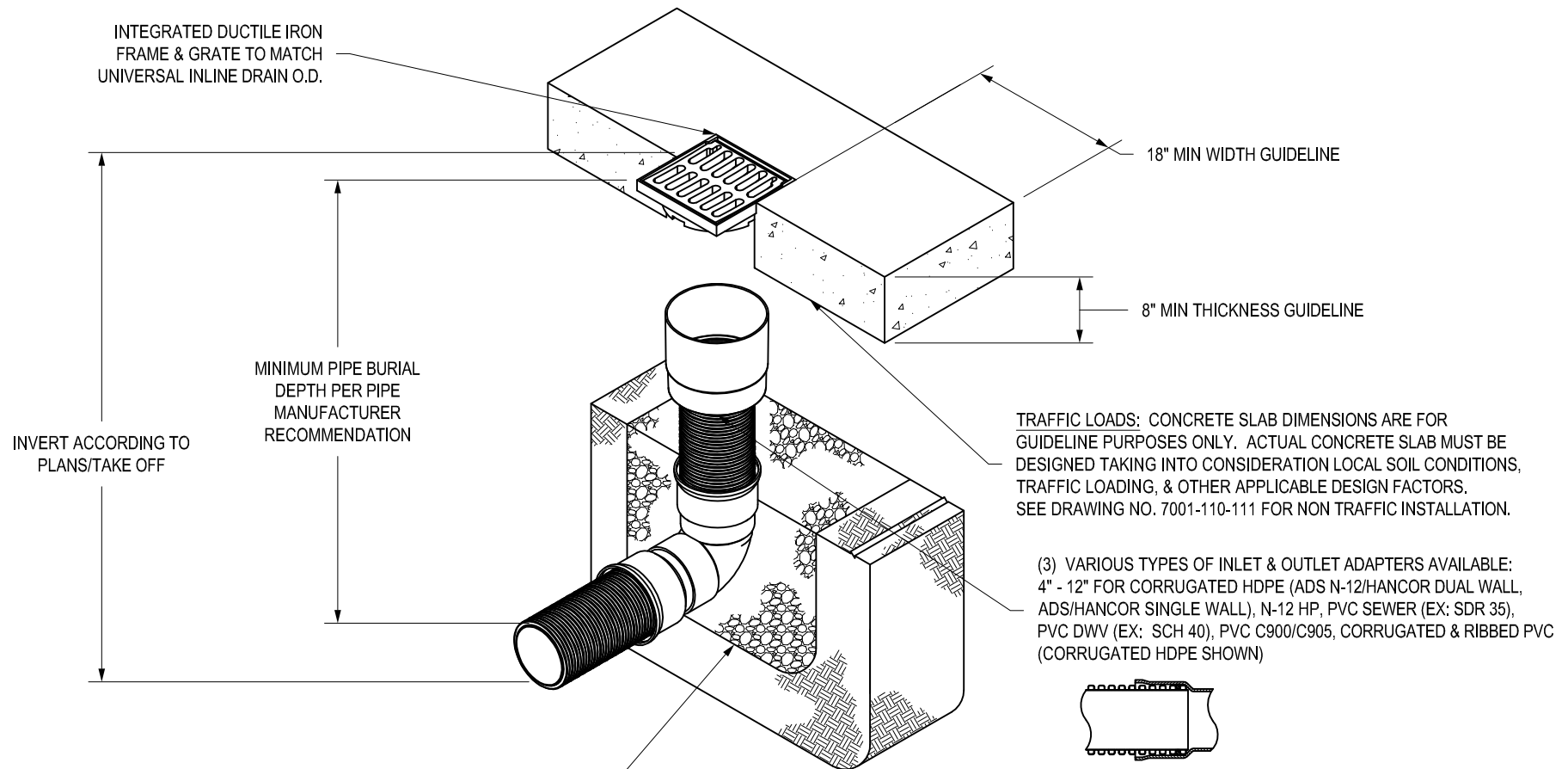


NYLOPLAST 12" UNIVERSAL INLINE DRAIN - TRAFFIC RATED INSTALLATION



THE BACKFILL MATERIAL SHALL BE CRUSHED STONE OR OTHER GRANULAR MATERIAL MEETING THE REQUIREMENTS OF CLASS I, CLASS II, OR CLASS III MATERIAL AS DEFINED IN ASTM D2321. BEDDING & BACKFILL FOR SURFACE DRAINAGE INLETS SHALL BE PLACED & COMPACTED UNIFORMLY IN ACCORDANCE WITH ASTM D2321.

TRAFFIC LOADS: CONCRETE SLAB DIMENSIONS ARE FOR GUIDELINE PURPOSES ONLY. ACTUAL CONCRETE SLAB MUST BE DESIGNED TAKING INTO CONSIDERATION LOCAL SOIL CONDITIONS, TRAFFIC LOADING, & OTHER APPLICABLE DESIGN FACTORS. SEE DRAWING NO. 7001-110-111 FOR NON TRAFFIC INSTALLATION.

(3) VARIOUS TYPES OF INLET & OUTLET ADAPTERS AVAILABLE: 4" - 12" FOR CORRUGATED HDPE (ADS N-12/HANCOR DUAL WALL, ADS/HANCOR SINGLE WALL), N-12 HP, PVC SEWER (EX: SDR 35), PVC DWV (EX: SCH 40), PVC C900/C905, CORRUGATED & RIBBED PVC (CORRUGATED HDPE SHOWN)



GRATE OPTIONS	LOAD RATING	PART #'S
PEDESTRIAN GRATE	H-10	1299CGP
STANDARD GRATE	H-20	1299CGS
SOLID COVER	H-20	1299CGC
2' X 2' CURB INLET - STANDARD GRATE	H-20	3099CGSQ / 3099CGSQFH / 12BASEG
2' X 2' CURB INLET - DIAGONAL GRATE	H-20	3099CGSQDF / 3099CGSQFH / 12BASEG
2' X 2' ROAD & HIGHWAY	H-20	3299CGSQF12

- 1 - GRATES/SOLID COVER SHALL BE DUCTILE IRON PER ASTM A536 GRADE 70-50-05.
- 2 - FRAMES SHALL BE DUCTILE IRON PER ASTM A536 GRADE 70-50-05.
- 3 - DRAINAGE CONNECTION STUB JOINT TIGHTNESS SHALL CONFORM TO ASTM D3212 FOR CORRUGATED HDPE (ADS N-12 DUAL WALL), ADS HP, & PVC SEWER.

THIS PRINT DISCLOSES SUBJECT MATTER IN WHICH NYLOPLAST HAS PROPRIETARY RIGHTS. THE RECEIPT OR POSSESSION OF THIS PRINT DOES NOT CONFER, TRANSFER, OR LICENSE THE USE OF THE DESIGN OR TECHNICAL INFORMATION SHOWN HEREIN REPRODUCTION OF THIS PRINT OR ANY INFORMATION CONTAINED HEREIN, OR MANUFACTURE OF ANY ARTICLE HEREFROM, FOR THE DISCLOSURE TO OTHERS IS FORBIDDEN, EXCEPT BY SPECIFIC WRITTEN PERMISSION FROM NYLOPLAST.

DRAWN BY	NMH	MATERIAL
DATE	09-23-21	
APPD BY	NMH	PROJECT NO./NAME
DATE	09-23-21	
DWG SIZE	A	SCALE 1:20 SHEET 1 OF 1

ADS
Nyloplast

3130 VERONA AVE
BUFORD, GA 30518
PHN (770) 932-2443
FAX (770) 932-2490
www.nyloplast-us.com

TITLE	
12" UNIVERSAL INLINE DRAIN QUICK SPEC TRAFFIC RATED INSTALLATION DETAIL	
DWG NO.	7003-110-158 REV A