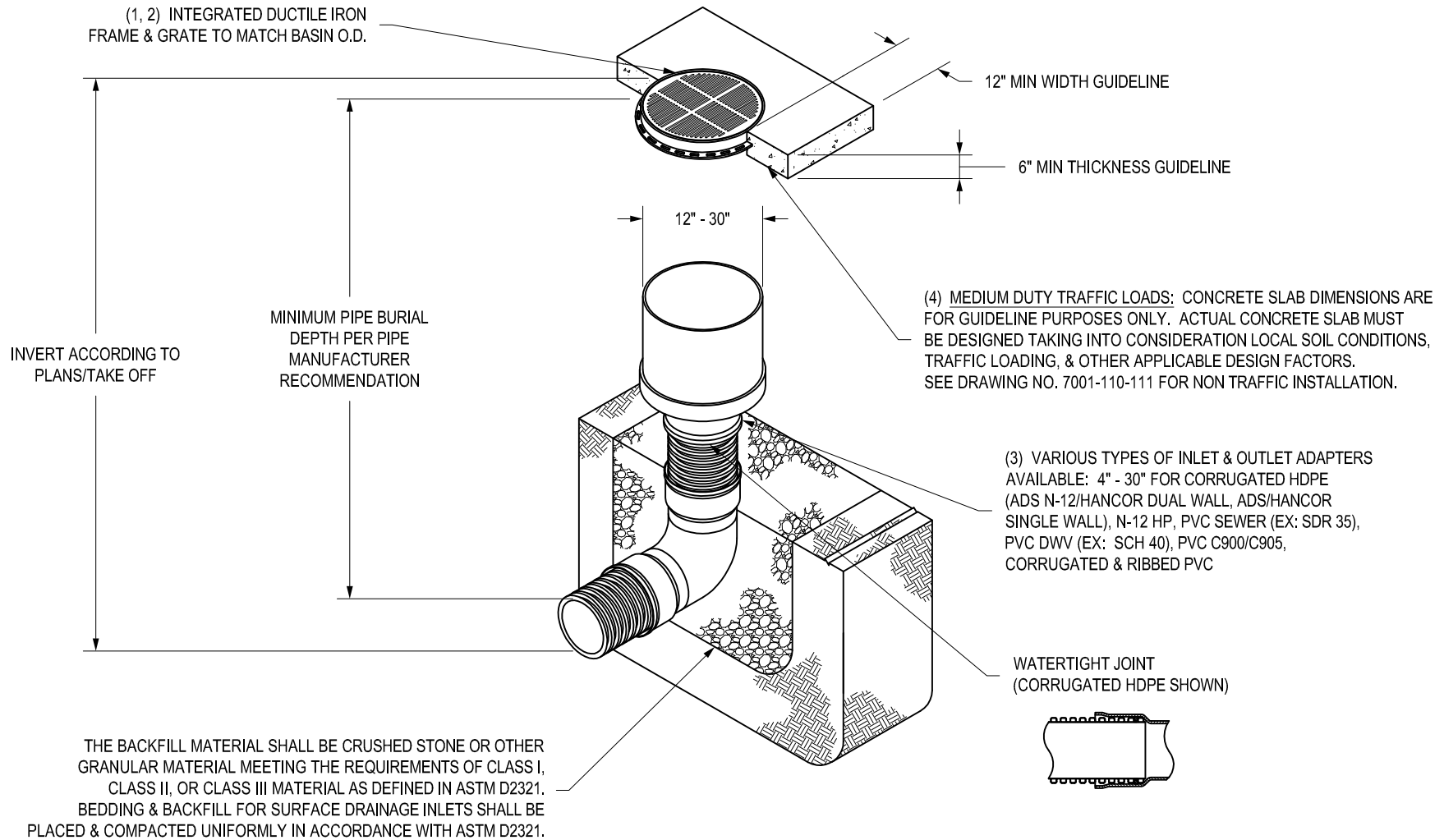


# NYLOPLAST INLINE DRAIN WITH PEDESTRIAN GRATE



- 1 - 12" - 30" PEDESTRIAN GRATES SHALL BE DUCTILE IRON PER ASTM A536 GRADE 70-50-05.
- 2 - 12" - 30" FRAMES SHALL BE DUCTILE IRON PER ASTM A536 GRADE 70-50-05.
- 3 - DRAINAGE CONNECTION STUB JOINT TIGHTNESS SHALL CONFORM TO ASTM D3212 FOR CORRUGATED HDPE (ADS N-12/HANCOR DUAL WALL, N-12 HP, & PVC SEWER (4" - 24")).
- 4 - 12" - 24" PEDESTRIAN GRATES SHALL MEET H-10 LOAD RATING. 30" PEDESTRIAN GRATE SHALL MEET H-20 LOAD RATING (SEE DRAWING NO. 7003-110-022 FOR H-20 TRAFFIC LOAD GUIDELINES).

THIS PRINT DISCLOSES SUBJECT MATTER IN WHICH NYLOPLAST HAS PROPRIETARY RIGHTS. THE RECEIPT OR POSSESSION OF THIS PRINT DOES NOT CONFER, TRANSFER, OR LICENSE THE USE OF THE DESIGN OR TECHNICAL INFORMATION SHOWN HEREIN REPRODUCTION OF THIS PRINT OR ANY INFORMATION CONTAINED HEREIN, OR MANUFACTURE OF ANY ARTICLE HEREFROM, FOR THE DISCLOSURE TO OTHERS IS FORBIDDEN, EXCEPT BY SPECIFIC WRITTEN PERMISSION FROM NYLOPLAST.

©2013 NYLOPLAST

DRAWN BY	EBC	MATERIAL
DATE	04-20-07	
REVISED BY	NMH	PROJECT NO./NAME
DATE	03-15-16	
DWG SIZE	A	SCALE 1:40 SHEET 1 OF 1

	3130 VERONA AVE BUFORD, GA 30518 PHN (770) 932-2443 FAX (770) 932-2490 www.nyloplast-us.com
	TITLE INLINE DRAIN WITH PEDESTRIAN GRATE QUICK SPEC INSTALLATION DETAIL
DWG NO.	7003-110-037 REV D