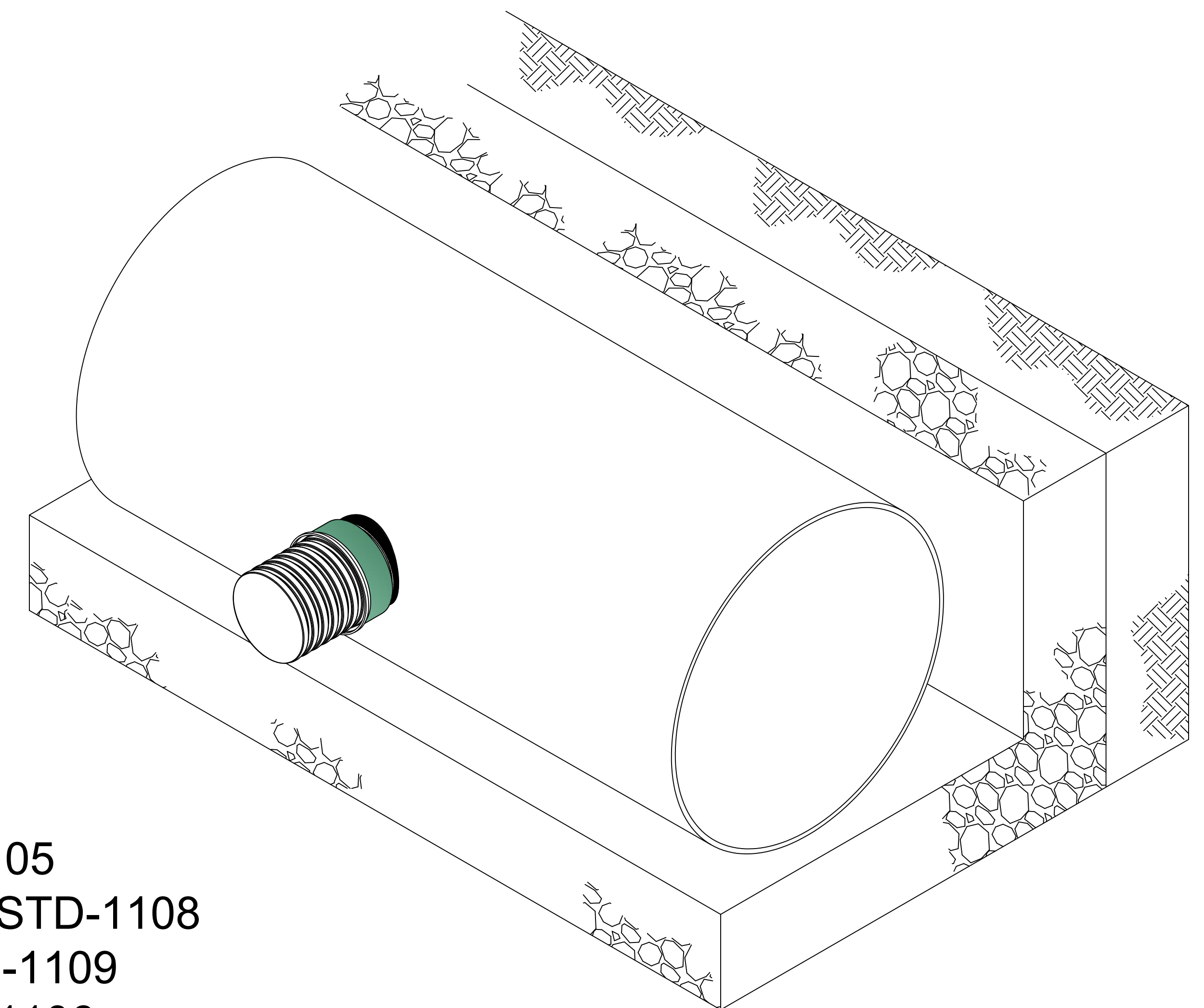
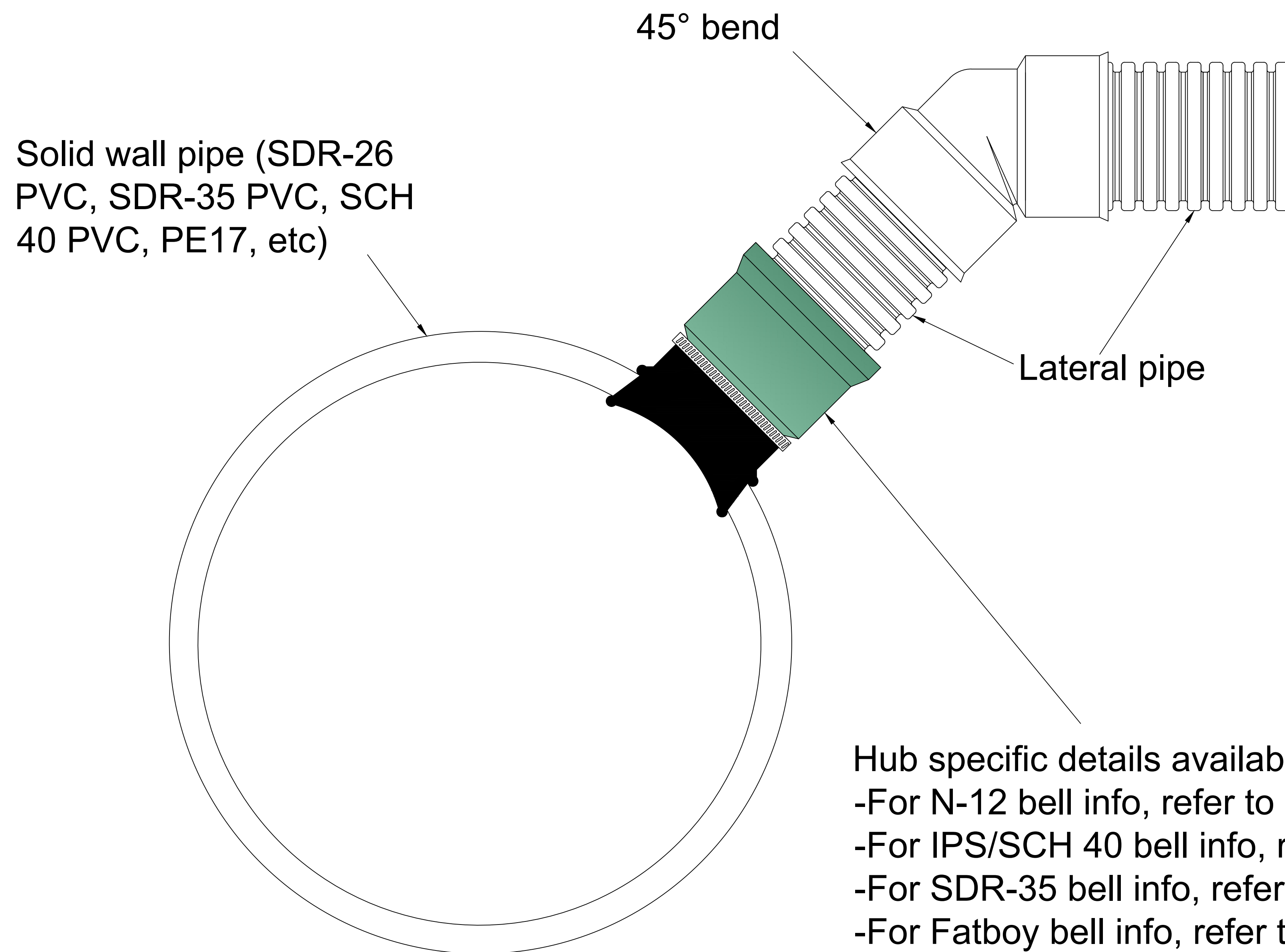


INSERTA TEE[®] INTO SOLID WALL PIPE

Inserta tee is ideal for connection into solid wall pipe. For specifications and installation instructions, refer to STD-1100 and STD-1100A.



- Hub specific details available.
- For N-12 bell info, refer to STD-1105
 - For IPS/SCH 40 bell info, refer to STD-1108
 - For SDR-35 bell info, refer to STD-1109
 - For Fatboy bell info, refer to STD-1106
 - For SDR-26 bell info, refer to STD-1110

NOTE: FOR INSTALLATION INSTRUCTIONS, REFER TO DETAIL STD-1100. FOR PROTRUSION INFORMATION, REFER TO DETAIL STD-1101. FOR HOLE SAW INFORMATION, REFER TO DETAIL STD-1102.

ADVANCED DRAINAGE SYSTEMS, INC. ("ADS") HAS PREPARED THIS DETAIL BASED ON INFORMATION PROVIDED TO ADS. THIS DRAWING IS INTENDED TO DEPICT THE COMPONENTS AS REQUESTED. ADS HAS NOT PERFORMED ANY ENGINEERING OR DESIGN SERVICES FOR THIS PROJECT, NOR HAS ADS INDEPENDENTLY VERIFIED THE INFORMATION SUPPLIED. THE INSTALLATION DETAILS PROVIDED HEREIN ARE GENERAL RECOMMENDATIONS AND ARE NOT SPECIFIC FOR THIS PROJECT. THE DESIGN ENGINEER SHALL REVIEW THESE DETAILS PRIOR TO CONSTRUCTION. IT IS THE DESIGN ENGINEERS RESPONSIBILITY TO ENSURE THE DETAILS PROVIDED HEREIN MEETS OR EXCEEDS THE APPLICABLE NATIONAL, STATE, OR LOCAL REQUIREMENTS AND TO ENSURE THAT THE DETAILS PROVIDED HEREIN ARE ACCEPTABLE FOR THIS PROJECT.

INSERTA TEE INTO
SOLID WALL PIPE

DRAWING NUMBER STD-1121



4640 TRUEMAN BLVD
HILLIARD, OH 43026

DRAWN BY:	HAK
DATE:	2/13/24
OK'S BY:	ENG
SCALE:	NTS
SHEET:	1