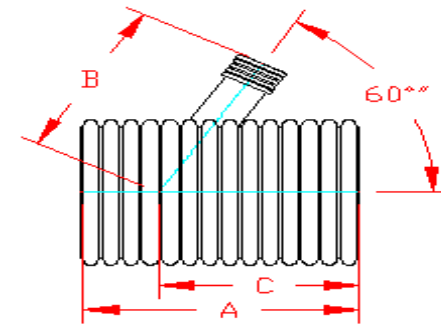
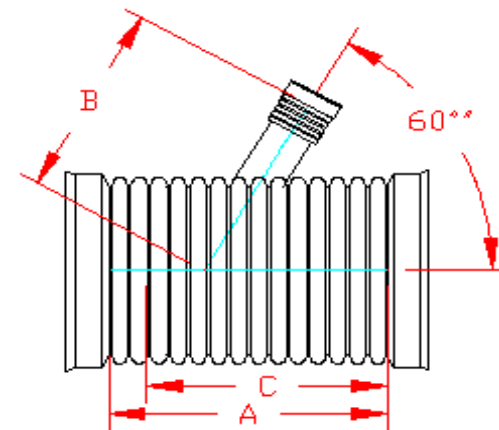


DUAL WALL FABRICATED 60° REDUCING WYES
60"x4" - 60"x10" DIAMETER

PART #	PIPE SIZE	A	B	C	JOINT
6080AN60	60 x 4 in (1500 x 100 mm)	54.0 in (1372 mm)	44.2 in (1123 mm)	46.1 in (1172 mm)	*
6080AN6065B	60 x 4 in (1500 x 100 mm)	42.0 in (1067 mm)	43.6 in (1106 mm)	40.1 in (1019 mm)	WT
6081AN60	60 x 6 in (1500 x 150 mm)	60.0 in (1524 mm)	45.2 in (1148 mm)	49.1 in (1248 mm)	*
6081AN6065B	60 x 6 in (1500 x 150 mm)	48.0 in (1219 mm)	44.4 in (1129 mm)	43.1 in (1096 mm)	WT
6082AN60	60 x 8 in (1500 x 200 mm)	60.0 in (1524 mm)	46.9 in (1192 mm)	49.1 in (1248 mm)	*
6082AN6065B	60 x 8 in (1500 x 200 mm)	48.0 in (1219 mm)	46.0 in (1167 mm)	43.1 in (1096 mm)	WT
6083AN60	60 x 10 in (1500 x 250 mm)	66.0 in (1676 mm)	49.6 in (2 mm)	52.1 in (1324 mm)	*
6083AN6065B	60 x 10 in (1500 x 250 mm)	54.0 in (1372 mm)	48.4 in (1228 mm)	46.1 in (1172 mm)	WT



PLAIN END



WT (INCLUDES 3 GASKETS)

* = PLAIN END
 ST = SOIL TIGHT
 WT = WATER TIGHT

NOTE: ALL FITTINGS DIMENSIONS ARE FOR REFERENCE ONLY

© 2023 Advanced Drainage Systems, Inc.



DRAWING #:	2390	
DRAWN BY:	JCB	04.20.06
APPROVED BY:	JCB	06.26.07
REVISIONS:	NJP	06.14.07