

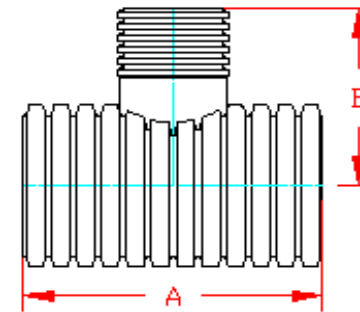
**DUAL WALL FABRICATED REDUCING TEES**  
**42"×4" - 42"×12" DIAMETER**

| PART #    | PIPE SIZE                     | A                    | B                   | JOINT |
|-----------|-------------------------------|----------------------|---------------------|-------|
| 4260AN    | 42 x 4 in<br>(1050 x 100 mm)  | 36.3 in<br>(923 mm)  | 29.5 in<br>(750 mm) | *     |
| 4260AN65B | 42 x 4 in<br>(1050 x 100 mm)  | 15.6 in<br>(395 mm)  | 27.6 in<br>(700 mm) | WT    |
| 4261AN    | 42 x 6 in<br>(1050 x 150 mm)  | 41.5 in<br>(1055 mm) | 30.8 in<br>(783 mm) | *     |
| 4261AN65B | 42 x 6 in<br>(1050 x 150 mm)  | 20.8 in<br>(527 mm)  | 28.5 in<br>(724 mm) | WT    |
| 4262AN    | 42 x 8 in<br>(1050 x 200 mm)  | 41.5 in<br>(1055 mm) | 33.0 in<br>(837 mm) | *     |
| 4262AN65B | 42 x 8 in<br>(1050 x 200 mm)  | 20.8 in<br>(527 mm)  | 30.1 in<br>(764 mm) | WT    |
| 4263AN    | 42 x 10 in<br>(1050 x 250 mm) | 46.7 in<br>(1186 mm) | 33.6 in<br>(852 mm) | *     |
| 4263AN65B | 42 x 10 in<br>(1050 x 250 mm) | 26.0 in<br>(659 mm)  | 29.8 in<br>(756 mm) | WT    |
| 4264AN    | 42 x 12 in<br>(1050 x 300 mm) | 46.7 in<br>(1186 mm) | 33.2 in<br>(843 mm) | *     |
| 4264AN65B | 42 x 12 in<br>(1050 x 300 mm) | 26.0 in<br>(659 mm)  | 27.4 in<br>(696 mm) | WT    |

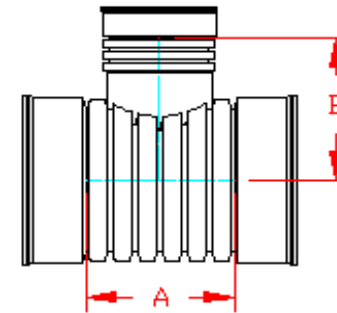
\* = PLAIN END  
 ST = SOIL TIGHT  
 WT = WATER TIGHT

NOTE: ALL FITTINGS DIMENSIONS ARE FOR REFERENCE ONLY

© 2023 Advanced Drainage Systems, Inc.



PLAIN END



WT (INCLUDES 3 GASKETS)



|              |      |          |
|--------------|------|----------|
| DRAWING #:   | 2435 |          |
| DRAWN BY:    | JCB  | 04.30.06 |
| APPROVED BY: | JCB  | 06.26.07 |
| REVISIONS:   | NJP  | 06.14.07 |
|              |      |          |
|              |      |          |