

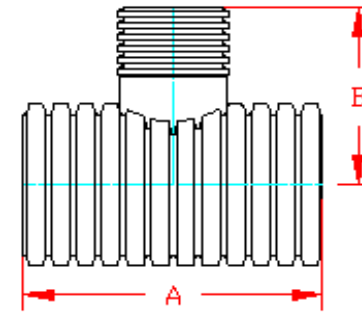
**DUAL WALL FABRICATED REDUCING TEES**  
**36"×12" - 36"×30" DIAMETER**

PART #	PIPE SIZE	A	B	JOINT
3664AN	36 x 12 in (900 x 300 mm)	47.3 in (1200 mm)	30.1 in (764 mm)	*
3664AN65B	36 x 12 in (900 x 300 mm)	26.3 in (667 mm)	24.3 in (618 mm)	WT
3665AN	36 x 15 in (900 x 375 mm)	52.5 in (1334 mm)	33.5 in (852 mm)	*
3665AN65B	36 x 15 in (900 x 375 mm)	31.5 in (800 mm)	25.8 in (655 mm)	WT
3666AN	36 x 18 in (900 x 450 mm)	57.8 in (1467 mm)	33.5 in (852 mm)	*
3666AN65B	36 x 18 in (900 x 450 mm)	36.8 in (933 mm)	25.5 in (648 mm)	WT
3667AN	36 x 24 in (900 x 600 mm)	63.0 in (1600 mm)	36.4 in (926 mm)	*
3667AN65B	36 x 24 in (900 x 600 mm)	42.0 in (1067 mm)	27.0 in (686 mm)	WT
3668AN	36 x 30 in (900 x 750 mm)	68.3 in (1734 mm)	37.4 in (949 mm)	*
3668AN65B	36 x 30 in (900 x 750 mm)	47.3 in (1200 mm)	25.0 in (635 mm)	WT

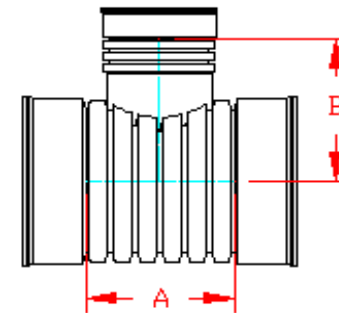
\* = PLAIN END  
 ST = SOIL TIGHT  
 WT = WATER TIGHT

NOTE: ALL FITTINGS DIMENSIONS ARE FOR REFERENCE ONLY

© 2023 Advanced Drainage Systems, Inc.



PLAIN END



WT (INCLUDES 3 GASKETS)



DRAWING #:	2430A	
DRAWN BY:	JCB	04.30.06
APPROVED BY:	JCB	06.26.07
REVISIONS:	NJP	06.14.07