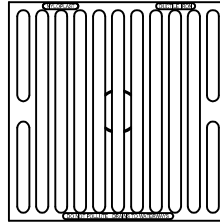


32 __ AGS __ X



2' X 2' ROAD & HIGHWAY GRATE



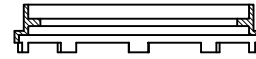
12" FRAME



15" FRAME



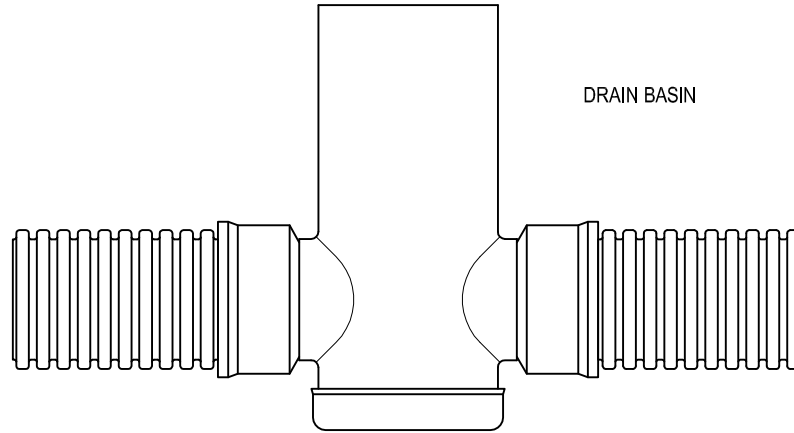
18" FRAME



24" FRAME



30" FRAME




DRAIN BASIN

THIS PRINT DISCLOSES SUBJECT MATTER IN WHICH NYLOPLAST HAS PROPRIETARY RIGHTS. THE RECEIPT OR POSSESSION OF THIS PRINT DOES NOT CONFER, TRANSFER, OR LICENSE THE USE OF THE DESIGN OR TECHNICAL INFORMATION SHOWN HEREIN REPRODUCTION OF THIS PRINT OR ANY INFORMATION CONTAINED HEREIN, OR MANUFACTURE OF ANY ARTICLE HEREFROM, FOR THE DISCLOSURE TO OTHERS IS FORBIDDEN, EXCEPT BY SPECIFIC WRITTEN PERMISSION FROM NYLOPLAST.

©2007 NYLOPLAST

DRAWN BY	CJA	MATERIAL
DATE	6-21-01	
APPD BY	CJA	PROJECT NO./NAME
DATE	6-21-01	
DWG SIZE	A	SCALE 1:20 SHEET 1 OF 1

	3130 VERONA AVE BUFORD, GA 30518 PHN (770) 932-2443 FAX (770) 932-2490 www.nyloplast-us.com
	TITLE
2 FT X 2 FT FAMILY	
DWG NO.	7001-110-069 REV E