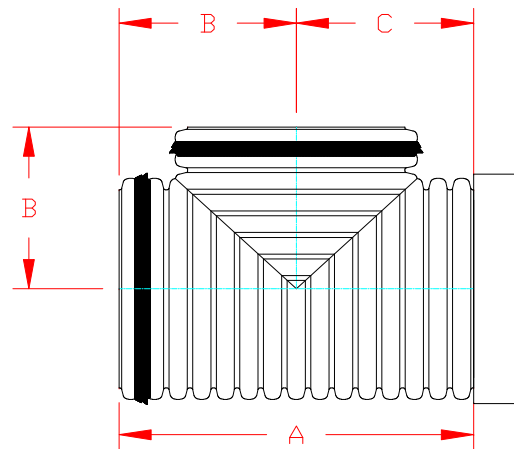


**DUAL WALL FABRICATED "WATER TIGHT" "GASKET END" SINGLE MANIFOLD**  
**36" - 60" DIAMETER**

PART #	PIPE SIZE	A	B	C
3651AN65G	36 in (900 mm)	63.0 in (1599 mm)	36.7 in (933 mm)	26.2 in (666 mm)
4251AN65G	42 in (1050 mm)	71.9 in (1827 mm)	36.0 in (914 mm)	36.0 in (914 mm)
4851AN65G	48 in (1200 mm)	78.5 in (1994 mm)	39.3 in (997 mm)	39.3 in (997 mm)
6051AN65G	60 in (1500 mm)	90.0 in (2286 mm)	51.0 in (1295 mm)	39.0 in (991 mm)



NOTE: ALL FITTINGS DIMENSIONS ARE FOR REFERENCE ONLY

© 2023 Advanced Drainage Systems, Inc.



DRAWING #:	4025A	
DRAWN BY:	AWM	03.17.06
APPROVED BY:		
REVISIONS:	NJP	06.28.07