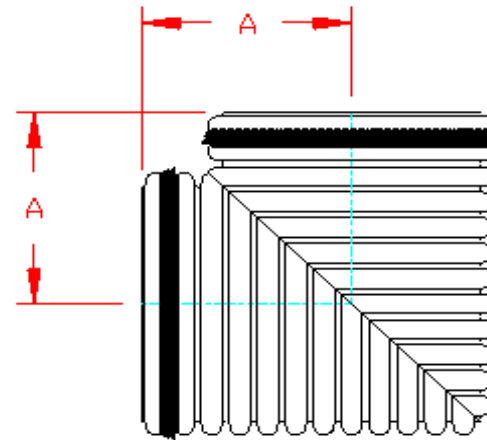


DUAL WALL FABRICATED "WATER TIGHT" "GASKET-GASKET" 90° MANIFOLD BEND
36" - 60" DIAMETER

PART #	PIPE SIZE	A
3698AN65GG	36 in (900 mm)	36.7 in (933 mm)
4298AN65GG	42 in (1050 mm)	36.0 in (914 mm)
4898AN65GG	48 in (1200 mm)	39.3 in (997 mm)
6098AN65GG	60 in (1500 mm)	51.0 in (1295 mm)



NOTE: ALL FITTINGS DIMENSIONS ARE FOR REFERENCE ONLY

© 2023 Advanced Drainage Systems, Inc.



DRAWING #:	4060A	
DRAWN BY:	AWM	03.17.06
APPROVED BY:	JCB	06.28.07
REVISIONS:	NJP	06.28.07