

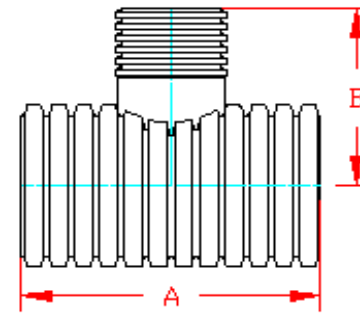
**DUAL WALL FABRICATED REDUCING TEES**  
**42"×15" - 42"×36" DIAMETER**

PART #	PIPE SIZE	A	B	JOINT
4265AN	42 x 15 in (1050 x 375 mm)	51.9 in (1318 mm)	36.6 in (930 mm)	*
4265AN65B	42 x 15 in (1050 x 375 mm)	31.1 in (791 mm)	28.9 in (733 mm)	WT
4266AN	42 x 18 in (1050 x 450 mm)	57.1 in (1450 mm)	36.6 in (930 mm)	*
4266AN65	42 x 18 in (1050 x 450 mm)	36.3 in (923 mm)	28.6 in (726 mm)	WT
4267AN	42 x 24 in (1050 x 600 mm)	62.3 in (1582 mm)	39.5 in (1004 mm)	*
4267AN65B	42 x 24 in (1050 x 600 mm)	41.5 in (1055 mm)	30.1 in (764 mm)	WT
4268AN	42 x 30 in (1050 x 750 mm)	67.5 in (1714 mm)	40.5 in (1029 mm)	*
4268AN65B	42 x 30 in (1050 x 750 mm)	46.7 in (1187 mm)	28.1 in (715 mm)	WT
4269AN	42 x 36 in (1050 x 900 mm)	77.9 in (1977 mm)	44.5 in (1131 mm)	*
4269AN65B	42 x 36 in (1050 x 900 mm)	57.1 in (1450 mm)	28.8 in (731 mm)	WT

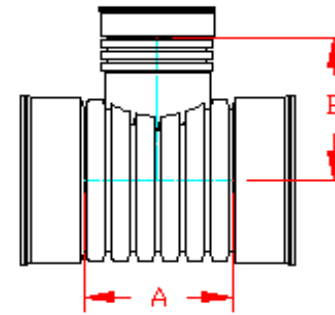
\* = PLAIN END  
 ST = SOIL TIGHT  
 WT = WATER TIGHT

NOTE: ALL FITTINGS DIMENSIONS ARE FOR REFERENCE ONLY

© 2023 Advanced Drainage Systems, Inc.



PLAIN END



WT (INCLUDES 3 GASKETS)

	DRAWING #:	2435A	
	DRAWN BY:	NJP	09.19.06
	APPROVED BY:	JCB	06.26.07
	REVISIONS:	NJP	06.14.07