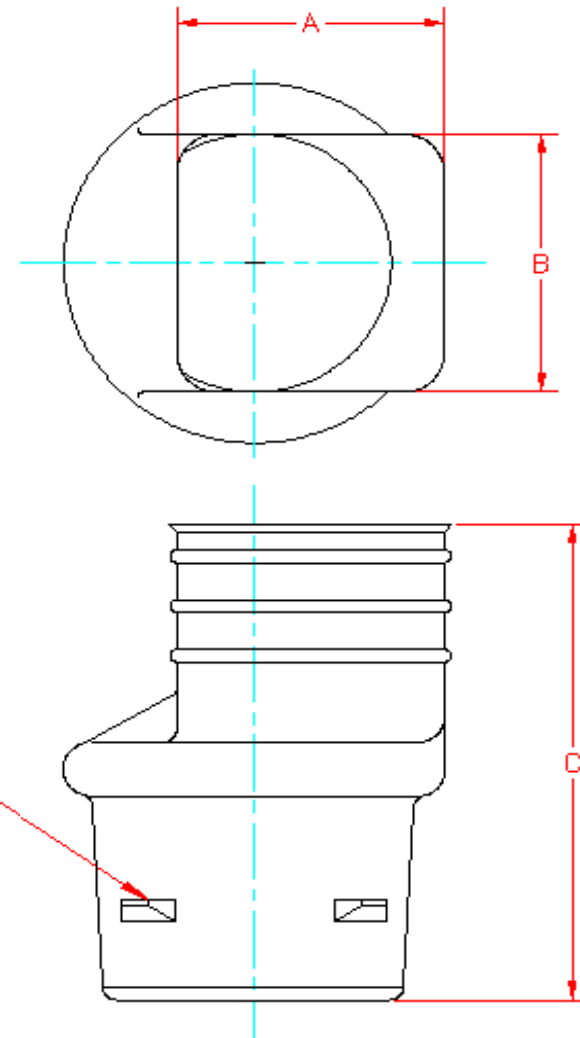


DOWNSPOUT ADAPTERS

PART #	PIPE SIZE	A	B	C
0364AA	3 in (76 mm)	2.5 in (64 mm)	3.3 in (83 mm)	4.8 in (121 mm)
0464AA	4 in (102 mm)	2.5 in (64 mm)	3.3 in (83 mm)	4.8 in (121 mm)
0465AA	4 in (102 mm)	3.3 in (83 mm)	4.5 in (114 mm)	5.0 in (127 mm)
0466AA	4 in (102 mm)	2.6 in (65 mm)	2.6 in (65 mm)	4.6 in (118 mm)
0664AA	6 in (152 mm)	3.6 in (92 mm)	5.6 in (143 mm)	6.4 in (163 mm)
0664AC*	6 in (152 mm)	3.6 in (92 mm)	5.6 in (143 mm)	6.4 in (163 mm)

* Part 0664AC is PVC



NOTE: ALL DIMENSIONS ARE NOMINAL

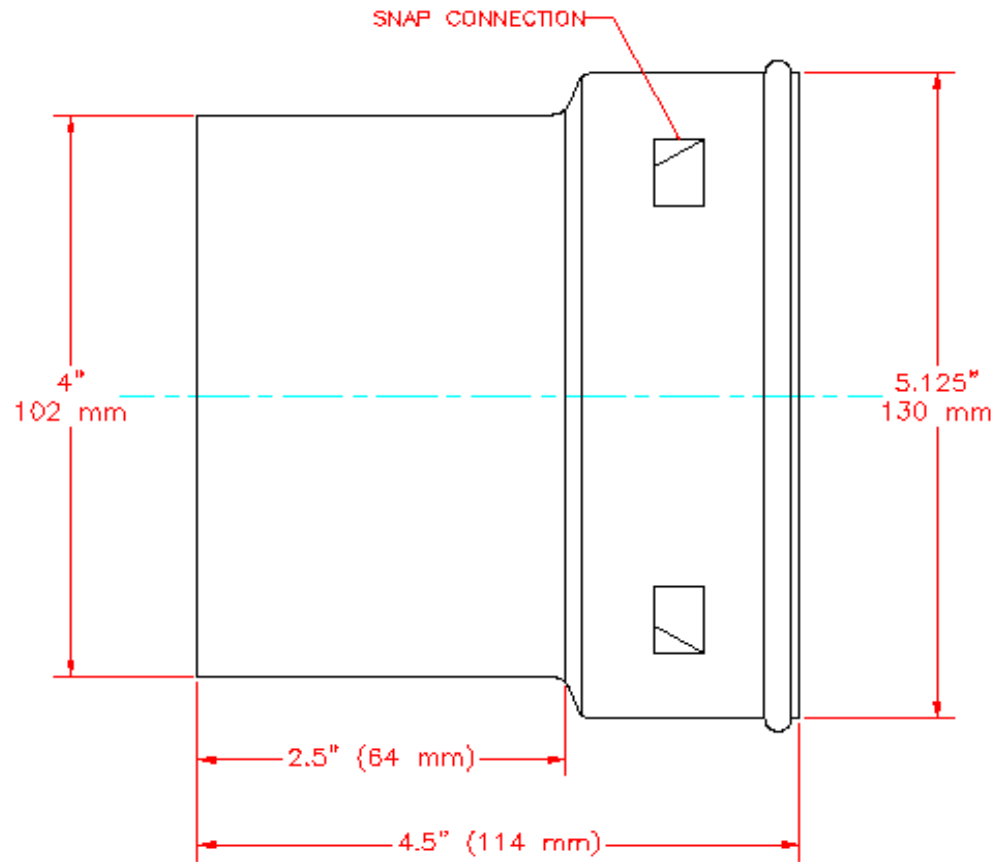
© 2021 Advanced Drainage Systems, Inc.



DRAWING #:	6000	
DRAWN BY:	JCB	03.20.07
APPROVED BY:	JCB	06.28.07
REVISIONS:	NJP	06.20.07

4" SEWER AND DRAIN ADAPTER

PART # 0467AA



NOTE: ALL DIMENSIONS ARE NOMINAL

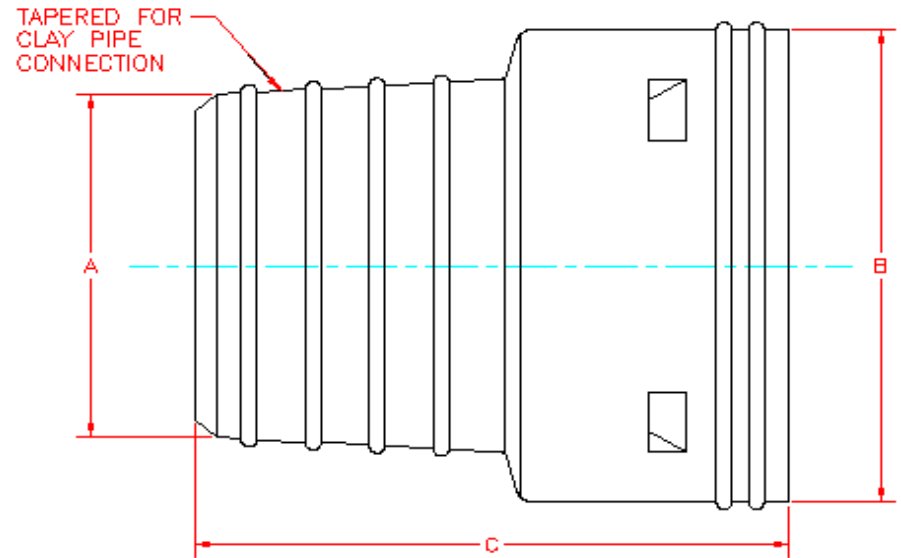
© 2021 Advanced Drainage Systems, Inc.



DRAWING #:	6010	
DRAWN BY:	JCB	03.20.07
APPROVED BY:	JCB	06.28.07
REVISIONS:	NJP	06.20.07

CLAY SNAP ADAPTER

PART #	PIPE SIZE	A	B	C
0362AA	3 in (76 mm)	2.9 in (73 mm)	4.0 in (102 mm)	4.1 in (105 mm)
0462AA	4 in (102 mm)	3.9 in (99 mm)	5.1 in (130 mm)	4.3 in (108 mm)
0562AA	5 in (127 mm)	4.9 in (124 mm)	6.3 in (159 mm)	5.0 in (127 mm)
0662AA	6 in (152 mm)	5.8 in (146 mm)	7.4 in (187 mm)	5.5 in (140 mm)
0862AA	8 in (203 mm)	7.8 in (197 mm)	10.0 in (254 mm)	5.5 in (140 mm)



NOTE: ALL DIMENSIONS ARE NOMINAL

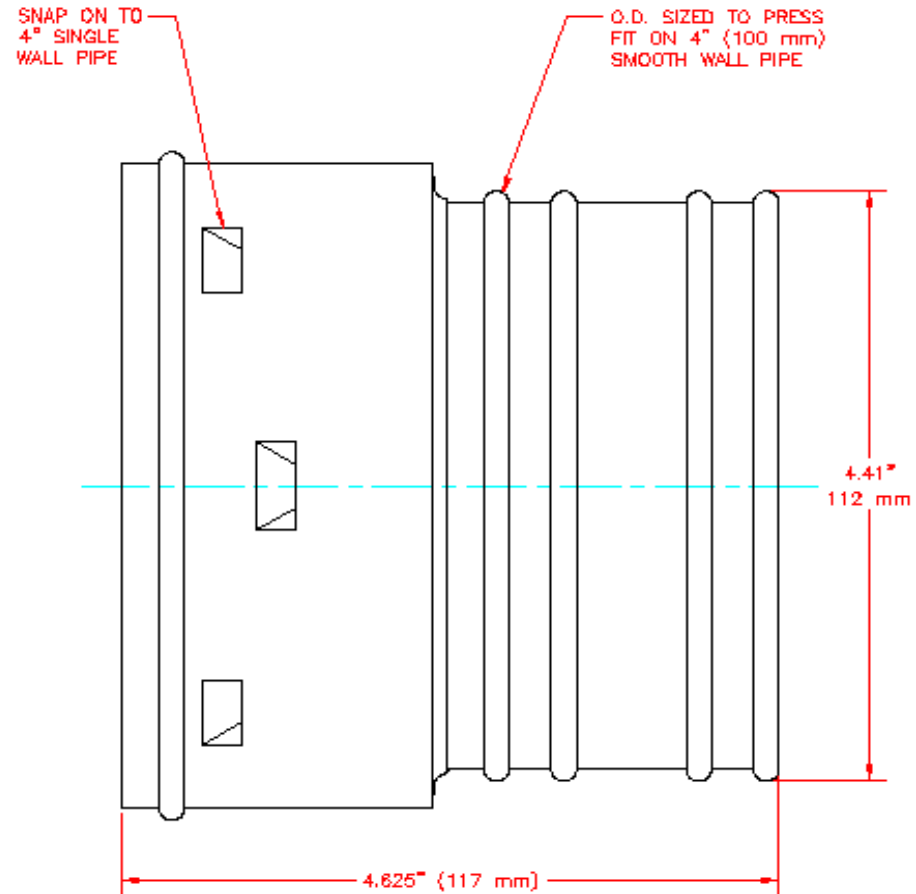
© 2021 Advanced Drainage Systems, Inc.



DRAWING #:	6015	
DRAWN BY:	JCB	03.20.07
APPROVED BY:	JCB	06.28.07
REVISIONS:	NJP	06.20.07

SEPTIC TANK ADAPTER

PART # 0463AA



NOTE: ALL DIMENSIONS ARE NOMINAL

© 2021 Advanced Drainage Systems, Inc.



DRAWING #:	6020	
DRAWN BY:	JCB	03.20.07
APPROVED BY:	JCB	06.28.07
REVISIONS:	NJP	06.20.07