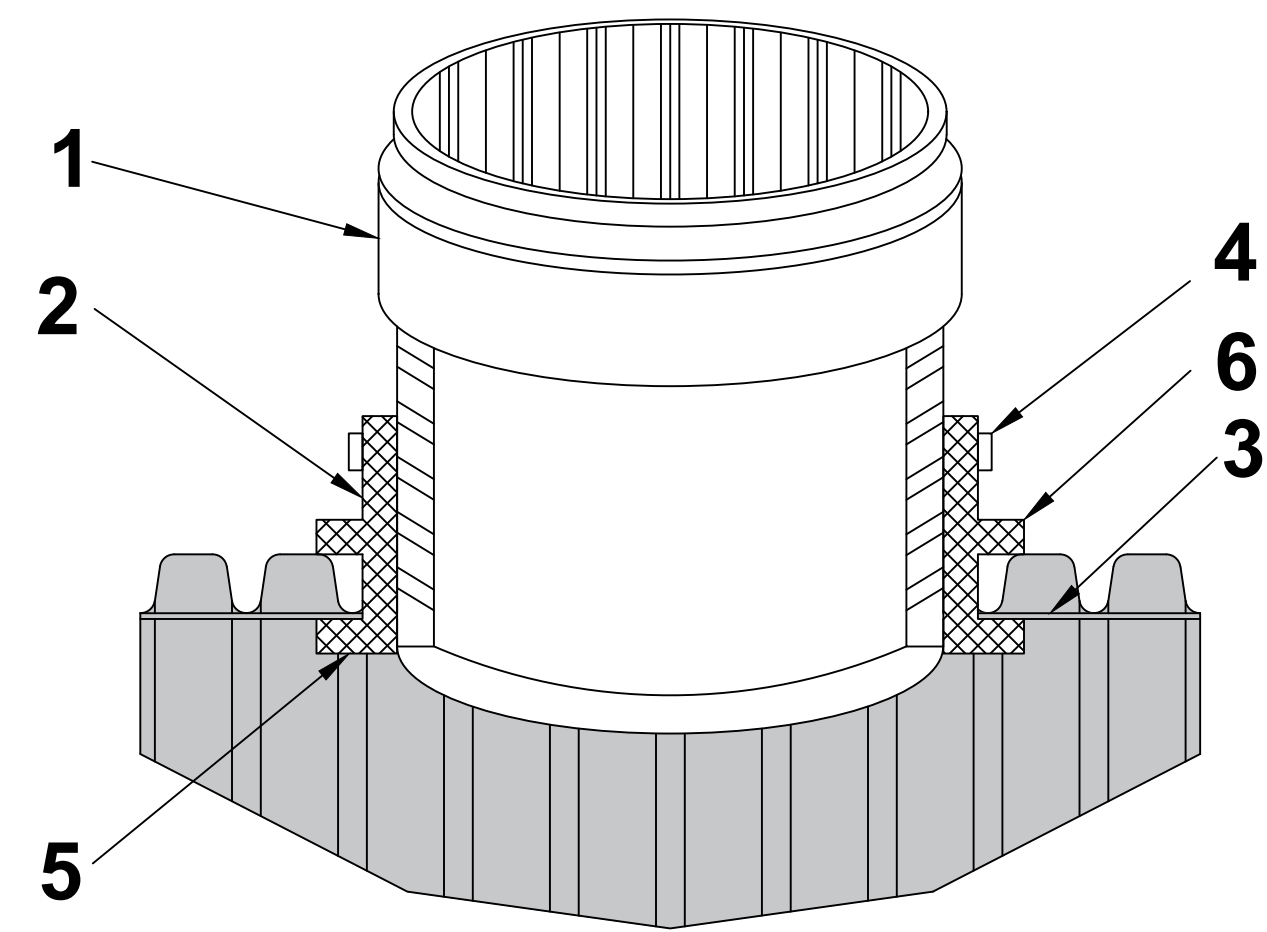
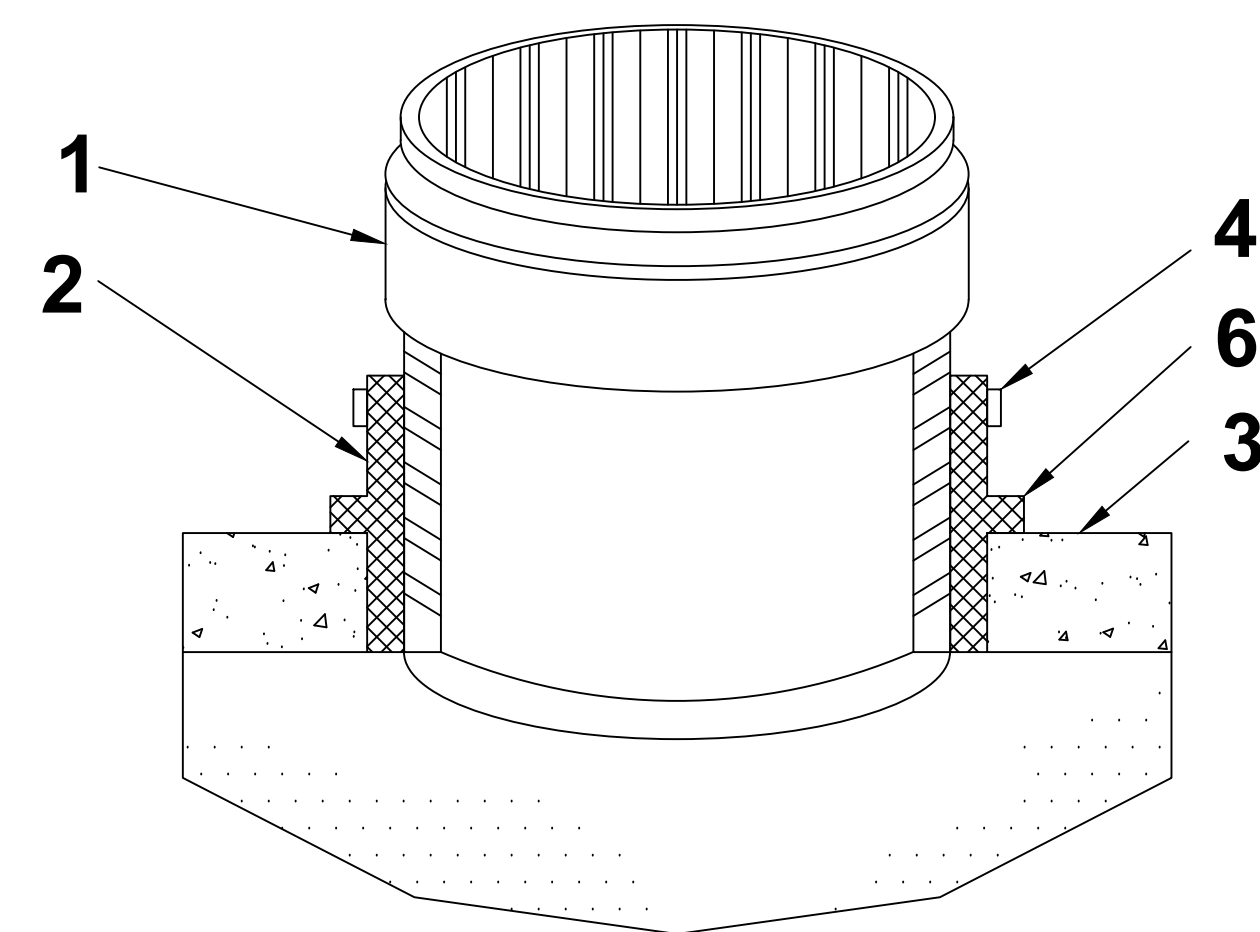


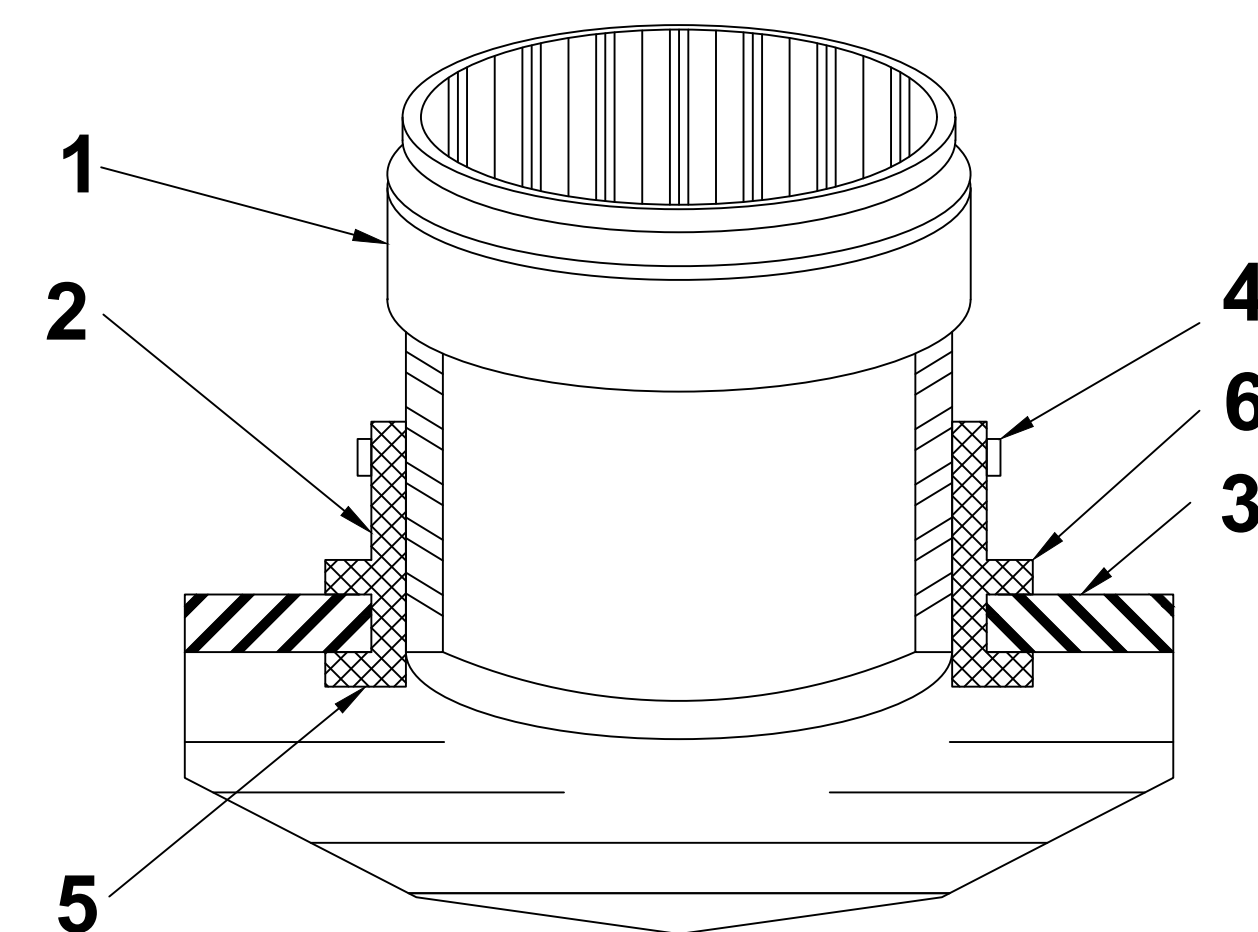
INSERTA TEE® CONNECTION DETAILS



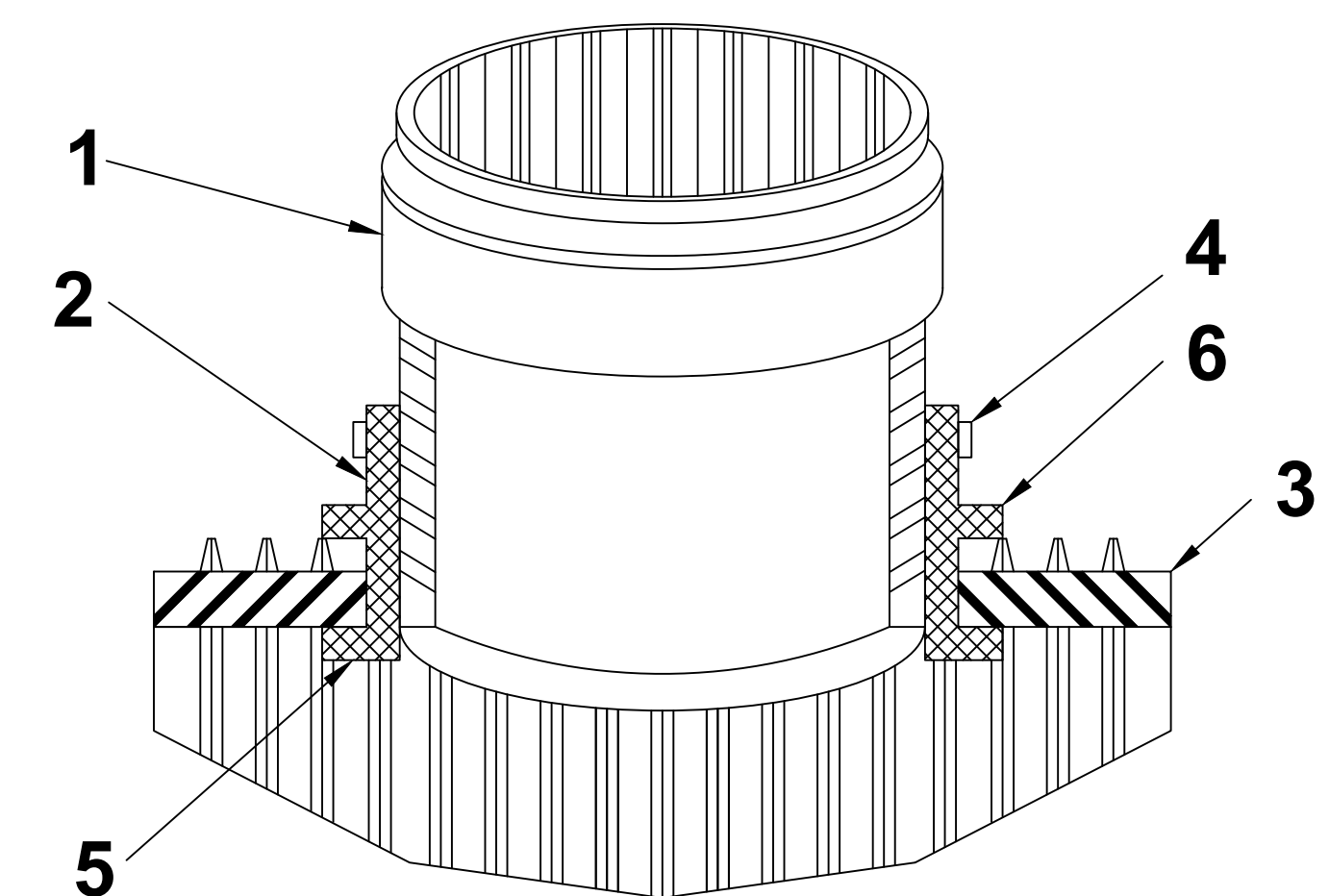
ADS PIPE



CONCRETE OR CLAY



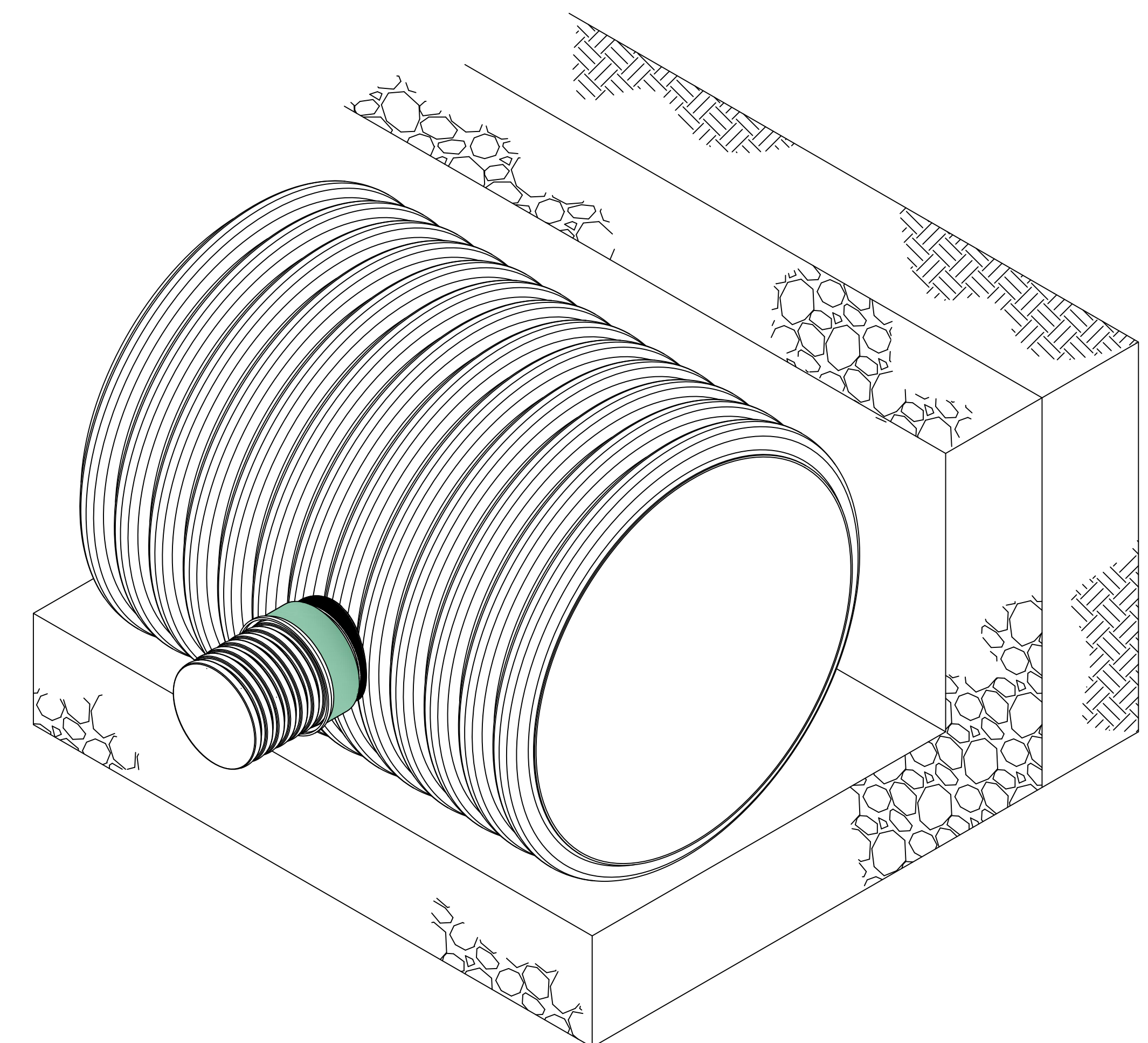
SOLID WALL



PROFILE WALL

PART #	DESCRIPTION
1	PVC hub adapter which is driven into the center of the rubber sleeve after the rubber sleeve is in the hole.
2	Complete rubber sleeve consisting of ASTM F 477 specifications.
3	Mainline pipe wall where branch line is connected.
4	Stainless steel band, put on above rubber segment as an added precaution.
5	Rubber segment which is molded into the rubber sleeve. This prevents snap out on the inside of the drilled hole (plastic pipe only) and helps hold the fitting in place, not creating the seal.
6	Rubber segment which is molded into the rubber sleeve. This prevents the rubber sleeve from going through the drilled hole when PVC hub is being driven into the rubber sleeve.

Note: Watertight seal is accomplished when PVC hub is driven into rubber sleeve causing the rubber sleeve to compress between pipe wall and PVC hub.



ADVANCED DRAINAGE SYSTEMS, INC. ("ADS") HAS PREPARED THIS DETAIL BASED ON INFORMATION PROVIDED TO ADS. THIS DRAWING IS INTENDED TO DEPICT THE COMPONENTS AS REQUESTED. ADS HAS NOT PERFORMED ANY ENGINEERING OR DESIGN SERVICES FOR THIS PROJECT, NOR HAS ADS INDEPENDENTLY VERIFIED THE INFORMATION SUPPLIED. THE INSTALLATION DETAILS PROVIDED HEREIN ARE GENERAL RECOMMENDATIONS AND ARE NOT SPECIFIC FOR THIS PROJECT. THE DESIGN ENGINEER SHALL REVIEW THESE DETAILS PRIOR TO CONSTRUCTION. IT IS THE DESIGN ENGINEERS RESPONSIBILITY TO ENSURE THE DETAILS PROVIDED HEREIN MEETS OR EXCEEDS THE APPLICABLE NATIONAL, STATE, OR LOCAL REQUIREMENTS AND TO ENSURE THAT THE DETAILS PROVIDED HEREIN ARE ACCEPTABLE FOR THIS PROJECT.

INSERTA TEE CONNECTION DETAILS

DRAWING NUMBER STD-1123



4640 TRUEMAN BLVD
HILLIARD, OH 43026

DRAWN BY: HAK
DATE: 12/4/23
OK'S BY: ENG
SCALE: NTS
SHEET: 1