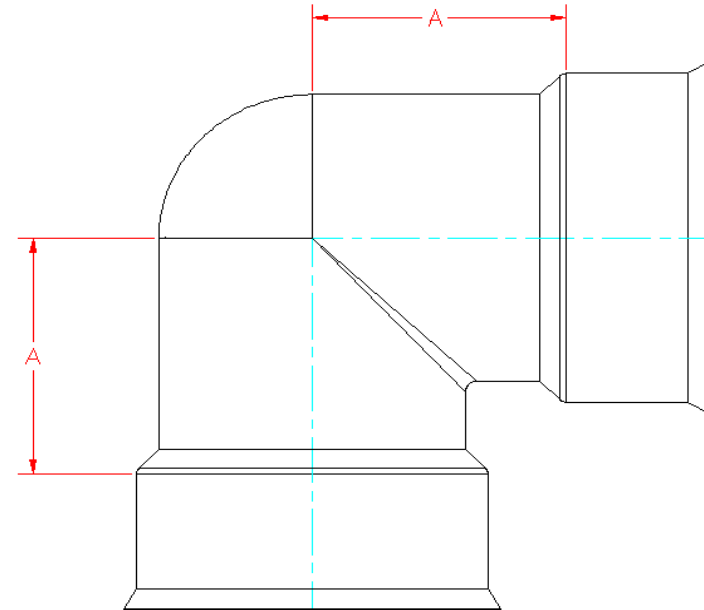


INJECTION MOLDED 90° BEND
4" - 12" DIAMETER

PART #	PIPE SIZE	A	JOINT
0499ST	4 in (100 mm)	3.7 in (93 mm)	ST
0499WT	4 in (100 mm)	3.7 in (93 mm)	WT
0699ST	6 in (150 mm)	5.2 in (133 mm)	ST
0699WT	6 in (150 mm)	5.2 in (133 mm)	WT
0899ST	8 in (200 mm)	6.9 in (175 mm)	ST
0899WT	8 in (200 mm)	6.9 in (175 mm)	WT
1099ST	10 in (250 mm)	8.9 in (227 mm)	ST
1099WT	10 in (250 mm)	8.9 in (227 mm)	WT
1299ST	12 in (300 mm)	11.3 in (286 mm)	ST
1299WT	12 in (300 mm)	11.3 in (286 mm)	WT



NOTE:

FITTINGS WHOSE PART NUMBERS END WITH "WT" HAVE WATER TIGHT BELL CONNECTIONS. WATER TIGHT BELLS ARE SHOWN HERE IN THIS DRAWING AND REQUIRE GASKETS TO BE FITTED TO DUAL WALL PIPE TO FORM A WATER TIGHT JOINT. (GASKETS INCLUDED)

FITTINGS WHOSE PART NUMBERS END WITH "ST" HAVE SOIL TIGHT BELL CONNECTIONS. SOIL TIGHT BELLS HAVE MOLDED CLEATS AND REQUIRE NO GASKET TO MAKE CONNECTION TO DUAL WALL PIPE.

NOTE: ALL FITTINGS DIMENSIONS ARE FOR REFERENCE ONLY

© 2023 Advanced Drainage Systems, Inc.

	DRAWING #:	3300	
	DRAWN BY:	JCB	07.31.06
	APPROVED BY:		
	REVISIONS:	NJP	06.15.07