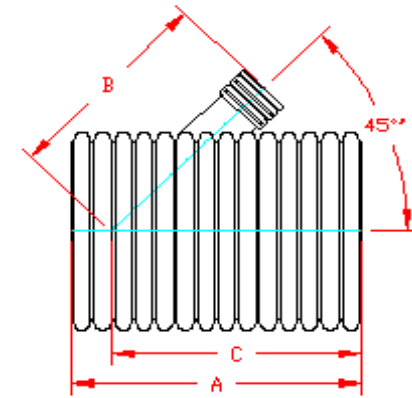


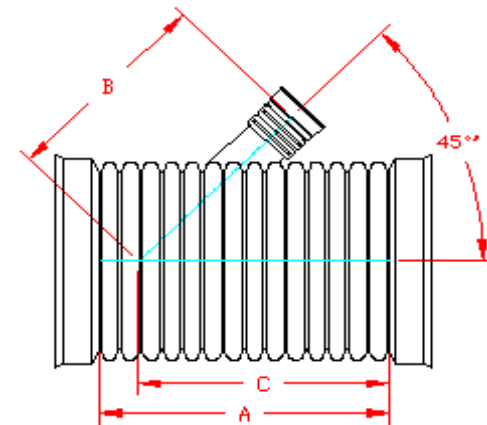
DUAL WALL FABRICATED REDUCING WYES
18"×12" - 18"×15" DIAMETER

PART #	PIPE SIZE	A	B	C	JOINT
1884AN	18 x 12 in (450 x 300 mm)	41.8 in (1062 mm)	32.3 in (820 mm)	32.0 in (814 mm)	*
1884AN65B	18 x 12 in (450 x 300 mm)	36.5 in (927 mm)	30.3 in (771 mm)	29.4 in (746 mm)	WT
1885AN	18 x 15 in (450 x 375 mm)	47.0 in (1194 mm)	38.3 in (973 mm)	34.7 in (882 mm)	*
1885AN65B	18 x 15 in (450 x 375 mm)	41.8 in (1062 mm)	35.7 in (907 mm)	32.0 in (814 mm)	WT

* = PLAIN END
 ST = SOIL TIGHT
 WT = WATER TIGHT



PLAIN END



WT (INCLUDES 3 GASKETS)

NOTE: ALL FITTINGS DIMENSIONS ARE FOR REFERENCE ONLY

© 2023 Advanced Drainage Systems, Inc.



DRAWING #:	2320A	
DRAWN BY:	JCB	06.14.06
APPROVED BY:	JCB	06.26.07
REVISIONS:	NJP	06.14.07