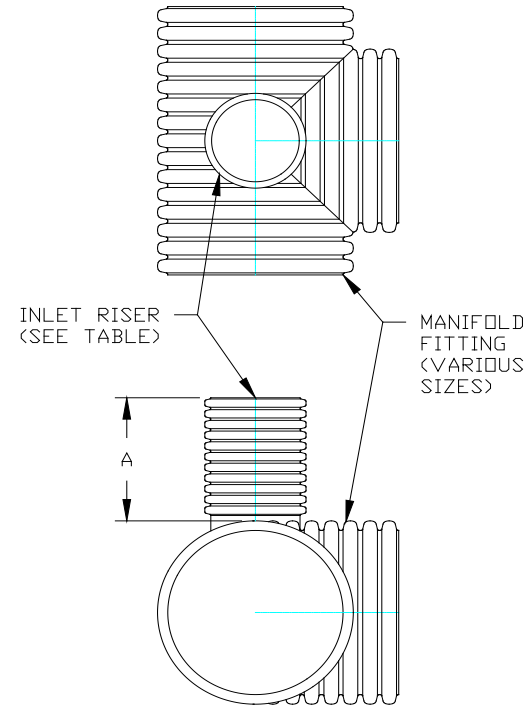


HP STORM DUAL WALL FABRICATED MANIFOLD INLET RISER

PART #	PIPE SIZE	A
1203ANP	12 in (300 mm)	24.0 in (610 mm)
1503ANP	15 in (375 mm)	36.0 in (914 mm)
1803ANP	18 in (450 mm)	36.0 in (914 mm)
2403ANP	24 in (600 mm)	36.0 in (914 mm)



This component item can only be ordered with standard manifold fittings or standard pipe. When ordering this component item, be sure to include shop drawing showing the location of inlet riser on standard manifold or pipe product.

Contact your local sales representative for acceptable size combinations, ie 48" manifold fitting with a 24" riser. **Not all combinations of inlet riser on standard manifold or pipe product are allowed.**

NOTE: ALL FITTINGS DIMENSIONS ARE FOR REFERENCE ONLY

 Advanced Drainage Systems, Inc.	DRAWING #:	13625	
	DRAWN BY:	TJR	12/14/2016
	APPROVED BY:		
	REVISIONS:		