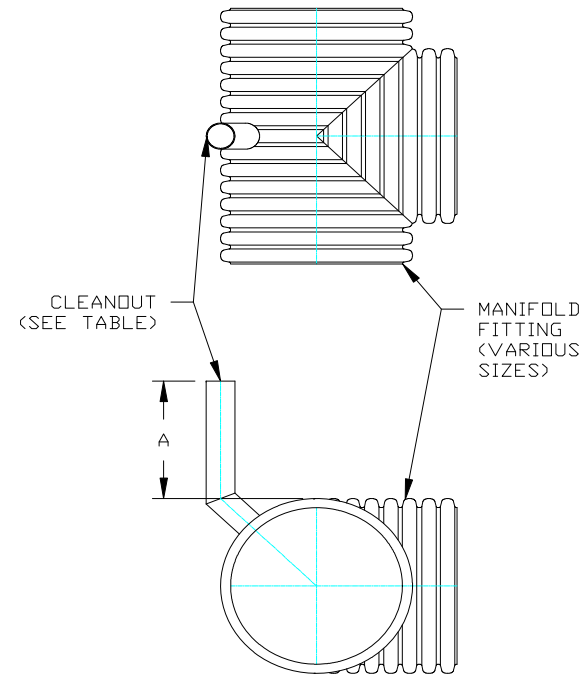


DUAL WALL FABRICATED MANIFOLD CLEANOUT RISER

PART #	PIPE SIZE	A
0402AN	4 in (100 mm)	36.0 in (914 mm)
0602AN	6 in (150 mm)	36.0 in (914 mm)
0802AN	8 in (200 mm)	36.0 in (914 mm)

This component item can only be ordered with standard manifold fittings or standard pipe. When ordering this component item, be sure to include shop drawing showing the location of cleanout riser on standard manifold.



NOTE: ALL FITTINGS DIMENSIONS ARE FOR REFERENCE ONLY

© 2023 Advanced Drainage Systems, Inc.



DRAWING #:	4070	
DRAWN BY:	AWM	07.13.06
APPROVED BY:	JCB	06.28.07
REVISIONS:	NJP	06.20.07