

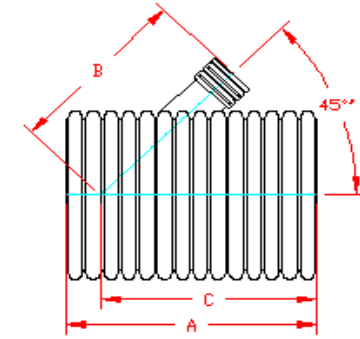
**DUAL WALL FABRICATED REDUCING WYES**  
**24"×4" - 24"×18" DIAMETER**

PART #	PIPE SIZE	A	B	C	JOINT
2480AN	24 x 4 in (600 x 100 mm)	34.4 in (874 mm)	27.7 in (704 mm)	31.2 in (793 mm)	*
2480AN65B	24 x 4 in (600 x 100 mm)	28.2 in (716 mm)	27.7 in (704 mm)	28.1 in (713 mm)	WT
2481AN	24 x 6 in (600 x 150 mm)	37.6 in (955 mm)	29.3 in (744 mm)	32.8 in (833 mm)	*
2481AN65B	24 x 6 in (600 x 150 mm)	31.3 in (795 mm)	29.3 in (744 mm)	29.7 in (753 mm)	WT
2482AN	24 x 8 in (600 x 200 mm)	40.7 in (1034 mm)	32.5 in (826 mm)	34.4 in (873 mm)	*
2482AN65B	24 x 8 in (600 x 200 mm)	34.4 in (874 mm)	32.5 in (826 mm)	31.2 in (793 mm)	WT
2483AN	24 x 10 in (600 x 250 mm)	46.9 in (1191 mm)	33.0 in (838 mm)	36.0 in (913 mm)	*
2483AN65B	24 x 10 in (600 x 250 mm)	36.6 in (930 mm)	33.0 in (838 mm)	32.8 in (833 mm)	WT
2484AN	24 x 12 in (600 x 300 mm)	46.9 in (1191 mm)	36.9 in (938 mm)	37.5 in (953 mm)	*
2484AN65B	24 x 12 in (600 x 300 mm)	40.7 in (1034 mm)	35.0 in (889 mm)	34.4 in (873 mm)	WT
2485AN	24 x 15 in (600 x 375 mm)	47.0 in (1193 mm)	42.5 in (1080 mm)	37.5 in (953 mm)	*
2485AN65B	24 x 15 in (600 x 375 mm)	40.7 in (1033 mm)	52.5 in (1334 mm)	34.4 in (874 mm)	WT
2486AN	24 x 18 in (600 x 450 mm)	53.2 in (1352 mm)	44.6 in (1133 mm)	40.6 in (1032 mm)	*
2486AN65B	24 x 18 in (600 x 450 mm)	40.7 in (1034 mm)	44.6 in (1133 mm)	33.2 in (844 mm)	WT

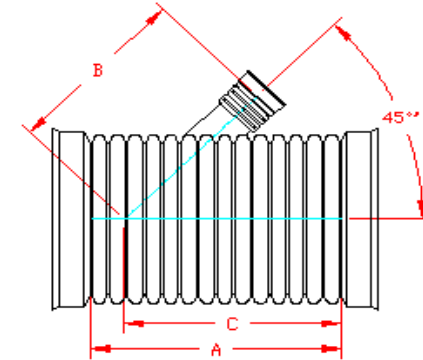
\* = PLAIN END  
 ST = SOIL TIGHT  
 WT = WATER TIGHT

NOTE: ALL FITTINGS DIMENSIONS ARE FOR REFERENCE ONLY

© 2023 Advanced Drainage Systems, Inc.



PLAIN END



WT (INCLUDES 3 GASKETS)



DRAWING #:	2325	
DRAWN BY:	JCB	06.14.06
APPROVED BY:	JCB	06.26.07
REVISIONS:	TJR	2/8/2010