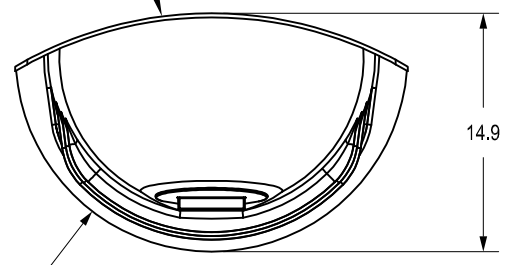
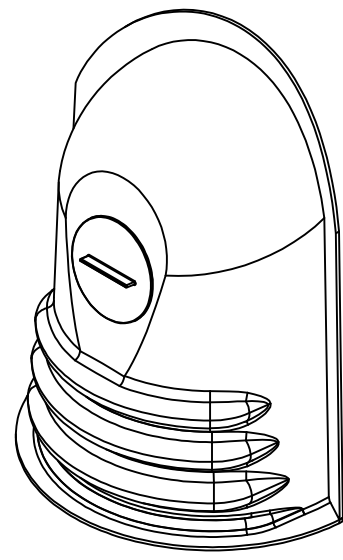


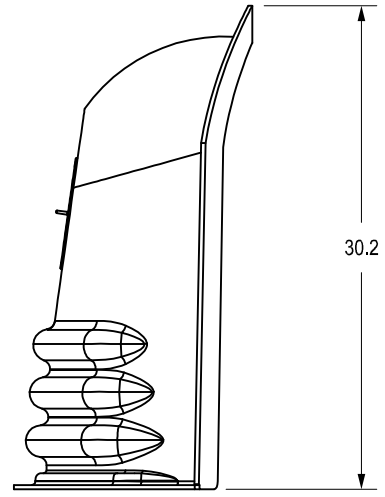
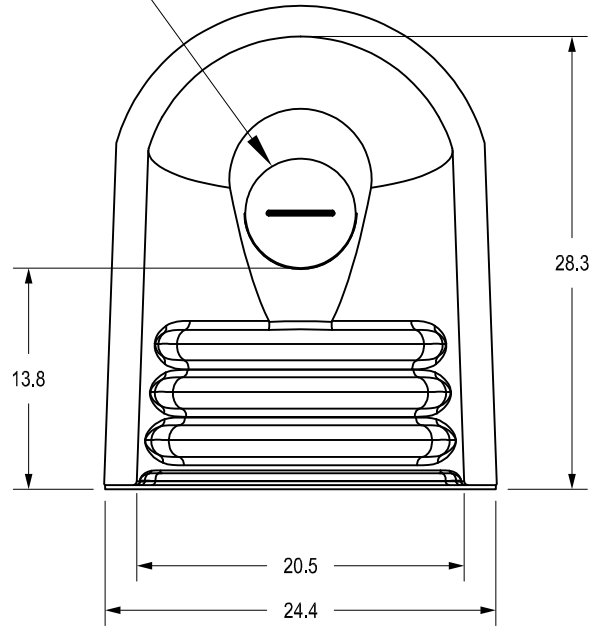
DESIGNED TO FIT 48" ROUND CONCRETE STRUCTURES



R12.3



REMOVABLE 6" ACCESS PORT



THIS PRINT DISCLOSES SUBJECT MATTER IN WHICH NYLOPLAST HAS PROPRIETARY RIGHTS. THE RECEIPT OR POSSESSION OF THIS PRINT DOES NOT CONFER, TRANSFER, OR LICENSE THE USE OF THE DESIGN OR TECHNICAL INFORMATION SHOWN HEREIN REPRODUCTION OF THIS PRINT OR ANY INFORMATION CONTAINED HEREIN, OR MANUFACTURE OF ANY ARTICLE HEREFROM, FOR THE DISCLOSURE TO OTHERS IS FORBIDDEN, EXCEPT BY SPECIFIC WRITTEN PERMISSION FROM NYLOPLAST.

DRAWN BY	JJC	MATERIAL	HIGH DENSITY POLYETHYLENE
DATE	7-2-12	PROJECT NO./NAME	
APPD BY	JJC	SCALE	NTS
DATE	7-2-12	SHEET	1 OF 1
DWG SIZE	A		

	3130 VERONA AVE BUFORD, GA 30518 PHN (770) 932-2443 FAX (770) 932-2490 www.nyloplast-us.com
	TITLE 18R ENVIROHOOD FOR 48" ROUND CONCRETE STRUCTURES
DWG NO.	7004-110-102
REV	A