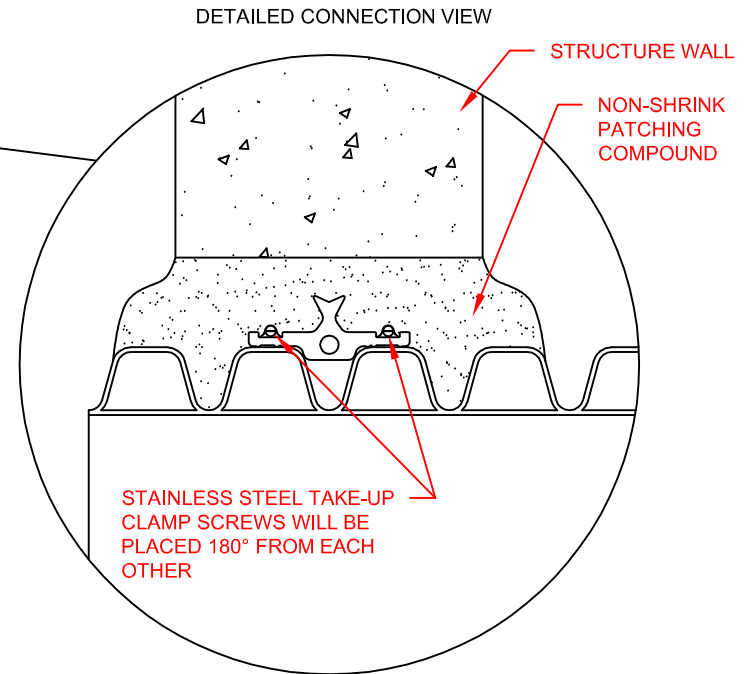
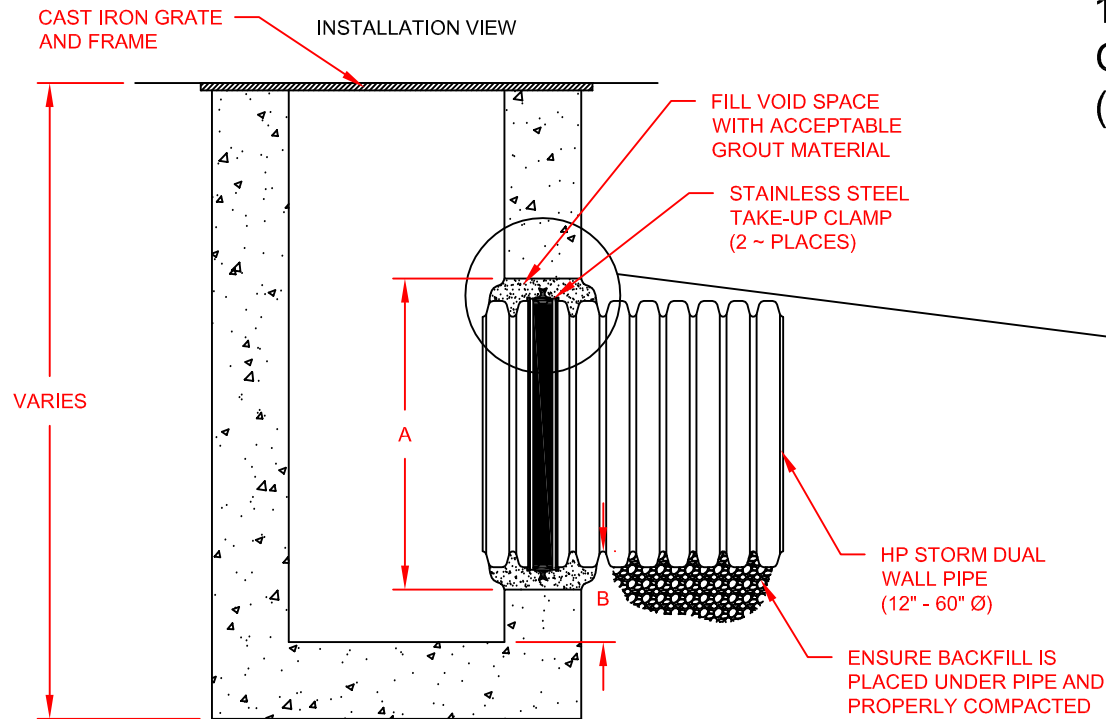


12"-60" HP STORM WATERSTOP GROUTED MANHOLE CONNECTION (DUAL WALL)



PIPE SIZE	PIPE OD	"A" MIN. HOLE Ø	"B" MIN. DISTANCE FROM PIPE INVERT TO STRUCTURE INVERT	ADS PRODUCT CODE
12" (300mm)	14.5" (368mm)	19.50" (495mm)	3.7" (94mm)	1202PS
15" (375mm)	17.6" (447mm)	23.00" (584mm)	4.0" (102mm)	1502PS
18" (450mm)	21.2" (538mm)	26.50" (673mm)	4.2" (107mm)	1802PS
21" (525mm)	24.8" (630mm)	30.25" (768mm)	4.5" (114mm)	2102PS
24" (600mm)	27.8" (706mm)	33.25" (845mm)	4.5" (114mm)	2402PS
30" (750mm)	35.1" (892mm)	40.50" (1029mm)	5.2" (132mm)	3002PS
36" (900mm)	41.1" (1044mm)	47.00" (1194mm)	5.5" (140mm)	3602PS
42" (1050mm)	47.7" (1212mm)	53.00" (1346mm)	5.7" (145mm)	4202PS
48" (1200mm)	53.6" (1361mm)	59.00" (1499mm)	5.7" (145mm)	4802PS
60" (1500mm)	66.3" (1684mm)	72.00" (1829mm)	6.4" (163mm)	6002PS

NOTES:

PERFORMANCE HIGHLY DEPENDENT ON INSTALLATION. CONTRACTOR MUST ENSURE MANHOLE GASKET IS UNIFORMLY SEATED AROUND STRUCTURE ADAPTER. EXTRA PRECAUTIONS MUST BE TAKEN TO PREVENT DIFFERENTIAL SETTLEMENT BETWEEN THE PIPE AND MANHOLE.

INSTALLATION RECOMMENDATIONS ARE ALSO SPECIFIED IN INSTALLATION GUIDE 1.05: WATERSTOP INSTALLATION

© 2016 ADS, INC

ADVANCED DRAINAGE SYSTEMS, INC. ("ADS") HAS PREPARED THIS DETAIL BASED ON INFORMATION PROVIDED TO ADS. THIS DRAWING IS INTENDED TO DEPICT THE COMPONENTS AS REQUESTED. ADS HAS NOT PERFORMED ANY ENGINEERING OR DESIGN SERVICES FOR THIS PROJECT, NOR HAS ADS INDEPENDENTLY VERIFIED THE INFORMATION SUPPLIED. THE INSTALLATION DETAILS PROVIDED HEREIN ARE GENERAL RECOMMENDATIONS AND ARE NOT SPECIFIC FOR THIS PROJECT. THE DESIGN ENGINEER SHALL REVIEW THESE DETAILS PRIOR TO CONSTRUCTION. IT IS THE DESIGN ENGINEERS RESPONSIBILITY TO ENSURE THE DETAILS PROVIDED HEREIN MEETS OR EXCEEDS THE APPLICABLE NATIONAL, STATE, OR LOCAL REQUIREMENTS AND TO ENSURE THAT THE DETAILS PROVIDED HEREIN ARE ACCEPTABLE FOR THIS PROJECT.

3	ADDED METRIC UNITS AND RENAMED	TJR	01/30/16		
REV.	DESCRIPTION	BY	MM/DD/YY	CHK'D	

**12"-60" HP STORM MH
GROUTED WATERSTOP**

DRAWING NUMBER: STD-206A



4640 TRUEMAN BLVD
HILLIARD, OHIO 43026

DRAWN BY:	JAB
DATE:	4/3/09
CHK'D BY:	
SCALE:	NTS
SHEET:	1 OF 1