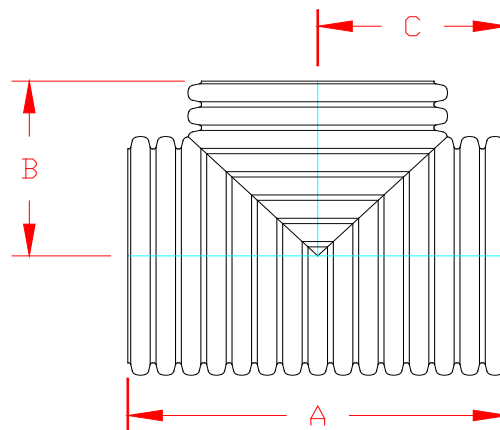


**HP STORM DUAL WALL FABRICATED "SOIL TIGHT" "PLAIN END"  
SINGLE MANIFOLD 12" - 30" DIAMETER**

PART #	PIPE SIZE	A	B	C
1251ANP	12 in (300 mm)	23.6 in (600 mm)	11.8 in (300 mm)	11.8 in (300 mm)
1551ANP	15 in (375 mm)	28.4 in (721 mm)	14.2 in (360 mm)	14.2 in (360 mm)
1851ANP	18 in (450 mm)	35.4 in (900 mm)	17.7 in (450 mm)	17.7 in (450 mm)
2151ANP	21 in (525 mm)	38.5 in (978 mm)	19.2 in (489 mm)	19.2 in (489 mm)
2451ANP	24 in (600 mm)	41.1 in (1043 mm)	20.5 in (522 mm)	20.5 in (522 mm)
3051ANP	30 in (750 mm)	50.5 in (1282 mm)	25.2 in (641 mm)	25.2 in (641 mm)



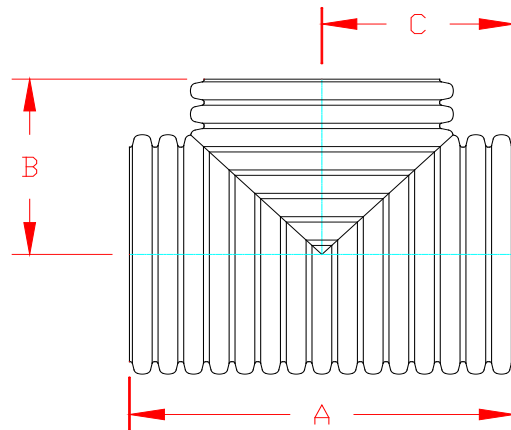
NOTE: ALL FITTINGS DIMENSIONS ARE FOR REFERENCE ONLY



DRAWING #:	13000	
DRAWN BY:	TJR	10/13/2016
APPROVED BY:		
REVISIONS:		

**HP STORM DUAL WALL FABRICATED "SOIL TIGHT" "PLAIN END"  
SINGLE MANIFOLD 36" - 60" DIAMETER**

PART #	PIPE SIZE	A	B	C
3651ANP	36 in (900 mm)	63.0 in (1601 mm)	31.5 in (800 mm)	31.5 in (800 mm)
4251ANP	42 in (1050 mm)	67.9 in (1725 mm)	34.0 in (863 mm)	34.0 in (863 mm)
4851ANP	48 in (1200 mm)	78.9 in (2005 mm)	39.5 in (1003 mm)	39.5 in (1003 mm)
6051ANP	60 in (1500 mm)	90.7 in (2305 mm)	45.4 in (1152 mm)	45.4 in (1152 mm)



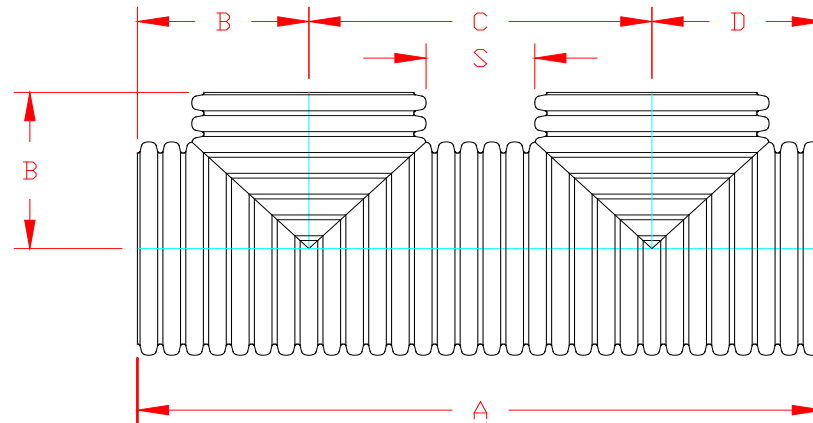
NOTE: ALL FITTINGS DIMENSIONS ARE FOR REFERENCE ONLY



DRAWING #:	13025	
DRAWN BY:	TJR	10/13/2016
APPROVED BY:		
REVISIONS:		

**HP STORM DUAL WALL FABRICATED "SOIL TIGHT" "PLAIN END"  
DOUBLE MANIFOLD 12" - 30" DIAMETER**

PART #	PIPE SIZE	A	B	C	D	S
1252ANP	12 in (300 mm)	47.3 in (1200 mm)	11.8 in (300 mm)	23.6 in (600 mm)	11.8 in (300 mm)	9.1 in (230 mm)
1552ANP	15 in (375 mm)	56.8 in (1442 mm)	14.2 in (360 mm)	28.4 in (721 mm)	14.2 in (360 mm)	10.7 in (271 mm)
1852ANP	18 in (450 mm)	70.9 in (1801 mm)	17.7 in (450 mm)	35.4 in (900 mm)	17.7 in (450 mm)	14.1 in (357 mm)
2152ANP	21 in (525 mm)	77.0 in (1955 mm)	19.2 in (489 mm)	38.5 in (978 mm)	19.2 in (489 mm)	13.8 in (350 mm)
2452ANP	24 in (600 mm)	82.2 in (2087 mm)	20.5 in (522 mm)	41.1 in (1043 mm)	20.5 in (522 mm)	12.6 in (321 mm)
3052ANP	30 in (750 mm)	101.0 in (2565 mm)	25.2 in (641 mm)	50.5 in (1282 mm)	25.2 in (641 mm)	15.0 in (382 mm)

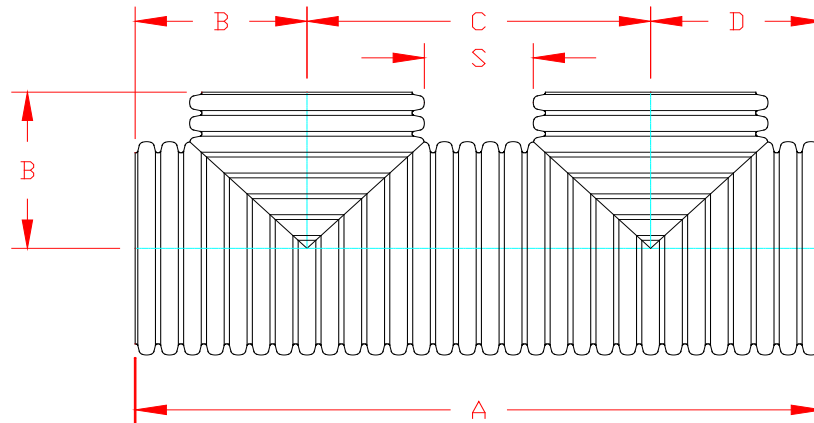


NOTE: ALL FITTINGS DIMENSIONS ARE FOR REFERENCE ONLY

 Advanced Drainage Systems, Inc.	DRAWING #:	13050	
	DRAWN BY:	TJR	10/13/2016
	APPROVED BY:		
	REVISIONS:		

**HP STORM DUAL WALL FABRICATED "SOIL TIGHT" "PLAIN END"  
DOUBLE MANIFOLD 36" - 60" DIAMETER**

PART #	PIPE SIZE	A	B	C	D	S
3652ANP	36 in (900 mm)	126.0 in (3201 mm)	31.5 in (800 mm)	63.0 in (1601 mm)	31.5 in (800 mm)	21.5 in (546 mm)
4252ANP	42 in (1050 mm)	135.9 in (3451 mm)	34.0 in (863 mm)	67.9 in (1725 mm)	34.0 in (863 mm)	20.5 in (522 mm)
4852ANP	48 in (1200 mm)	157.9 in (4010 mm)	39.5 in (1003 mm)	78.9 in (2005 mm)	39.5 in (1003 mm)	24.8 in (629 mm)
6052ANP	60 in (1500 mm)	181.5 in (4609 mm)	45.4 in (1152 mm)	90.7 in (2305 mm)	45.4 in (1152 mm)	23.6 in (600 mm)



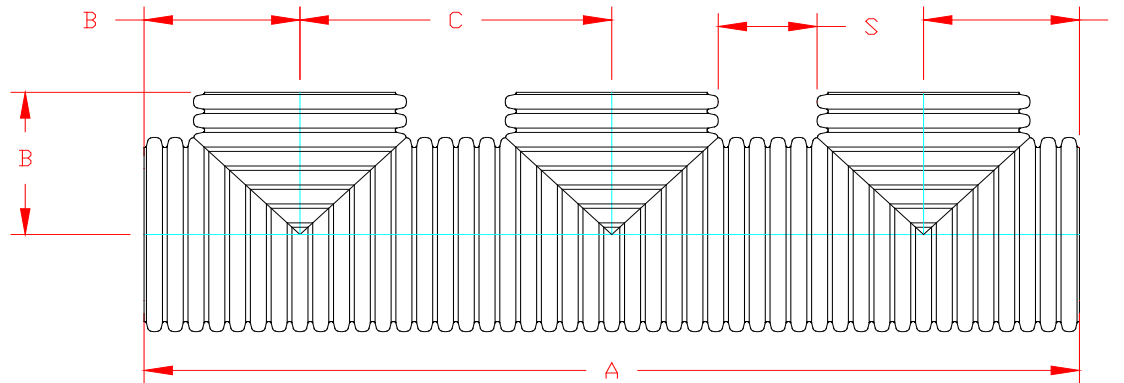
NOTE: ALL FITTINGS DIMENSIONS ARE FOR REFERENCE ONLY



DRAWING #:	13075	
DRAWN BY:	TJR	10/13/2016
APPROVED BY:		
REVISIONS:		

**HP STORM DUAL WALL FABRICATED "SOIL TIGHT" "PLAIN END"  
TRIPLE MANIFOLD 12" - 36" DIAMETER**

PART #	PIPE SIZE	A	B	C	D	S
1253ANP	12 in (300 mm)	70.9 in (1800 mm)	11.8 in (300 mm)	23.6 in (600 mm)	11.8 in (300 mm)	9.1 in (230 mm)
1553ANP	15 in (375 mm)	85.2 in (2163 mm)	14.2 in (360 mm)	28.4 in (721 mm)	14.2 in (360 mm)	10.7 in (271 mm)
1853ANP	18 in (450 mm)	106.3 in (2701 mm)	17.7 in (450 mm)	35.4 in (900 mm)	17.7 in (450 mm)	14.1 in (357 mm)
2153ANP	21 in (525 mm)	115.5 in (2933 mm)	19.2 in (489 mm)	38.5 in (978 mm)	19.2 in (489 mm)	13.8 in (350 mm)
2453ANP	24 in (600 mm)	123.3 in (3131 mm)	20.5 in (522 mm)	41.1 in (1043 mm)	20.5 in (522 mm)	12.6 in (321 mm)
3053ANP	30 in (750 mm)	151.5 in (3847 mm)	25.2 in (641 mm)	50.5 in (1282 mm)	25.2 in (641 mm)	15.0 in (382 mm)
3653ANP	36 in (900 mm)	189.1 in (4802 mm)	31.5 in (800 mm)	63.0 in (1601 mm)	31.5 in (800 mm)	21.5 in (546 mm)



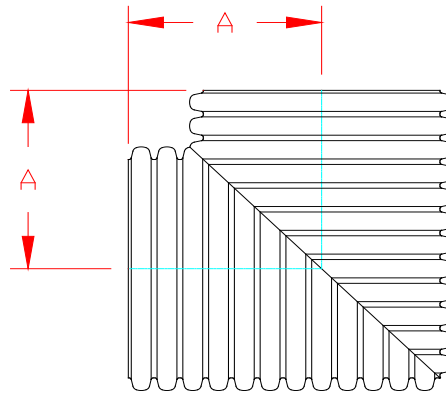
NOTE: ALL FITTINGS DIMENSIONS ARE FOR REFERENCE ONLY



DRAWING #:	13100	
DRAWN BY:	TJR	10/13/2016
APPROVED BY:		
REVISIONS:		

HP STORM DUAL WALL FABRICATED "SOIL TIGHT" "PLAIN END"  
 90° MANIFOLD BEND 12" - 30" DIAMETER

PART #	PIPE SIZE	A
1298ANP	12 in (300 mm)	11.8 in (300 mm)
1598ANP	15 in (375 mm)	14.2 in (360 mm)
1898ANP	18 in (450 mm)	17.7 in (450 mm)
2198ANP	21 in (525 mm)	19.2 in (489 mm)
2498ANP	24 in (600 mm)	20.5 in (522 mm)
3098ANP	30 in (750 mm)	25.2 in (641 mm)



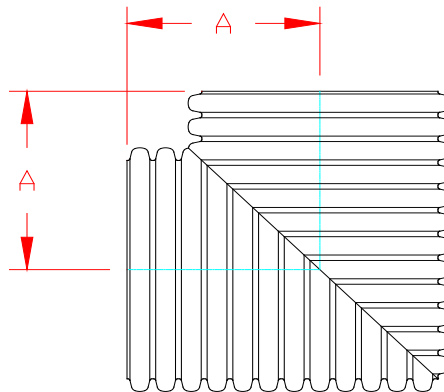
NOTE: ALL FITTINGS DIMENSIONS ARE FOR REFERENCE ONLY



DRAWING #:	13125	
DRAWN BY:	TJR	10/13/2016
APPROVED BY:		
REVISIONS:		

HP STORM DUAL WALL FABRICATED "SOIL TIGHT" "PLAIN END"  
 90° MANIFOLD BEND 36" - 60" DIAMETER

PART #	PIPE SIZE	A
3698ANP	36 in (900 mm)	31.6 in (801 mm)
4298ANP	42 in (1050 mm)	34.0 in (863 mm)
4898ANP	48 in (1200 mm)	39.5 in (1003 mm)
6098ANP	60 in (1500 mm)	45.4 in (1152 mm)



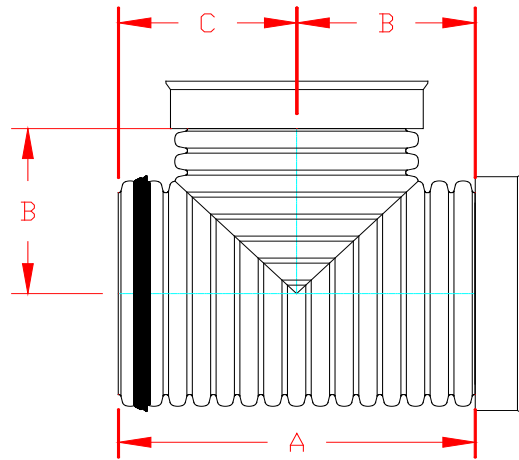
NOTE: ALL FITTINGS DIMENSIONS ARE FOR REFERENCE ONLY



DRAWING #:	13150	
DRAWN BY:	TJR	10/13/2016
APPROVED BY:		
REVISIONS:		

**HP STORM DUAL WALL FABRICATED "WATER TIGHT" "BELL END"  
SINGLE MANIFOLD 12" - 18" & 24" DIAMETER**

PART #	PIPE SIZE	A	B	C
1251AN65BP	12 in (300 mm)	23.6 in (600 mm)	9.8 in (250 mm)	13.8 in (350 mm)
1551AN65BP	15 in (375 mm)	28.5 in (725 mm)	12.0 in (304 mm)	16.6 in (421 mm)
1851AN65BP	18 in (450 mm)	35.4 in (900 mm)	14.8 in (375 mm)	20.7 in (525 mm)
2451AN65BP	24 in (600 mm)	41.1 in (1043 mm)	17.4 in (441 mm)	23.7 in (602 mm)



BELL END GASKET NOT INCLUDED WITH FITTING PLEASE ORDER SEPARATELY.

NOTE: ALL FITTINGS DIMENSIONS ARE FOR REFERENCE ONLY

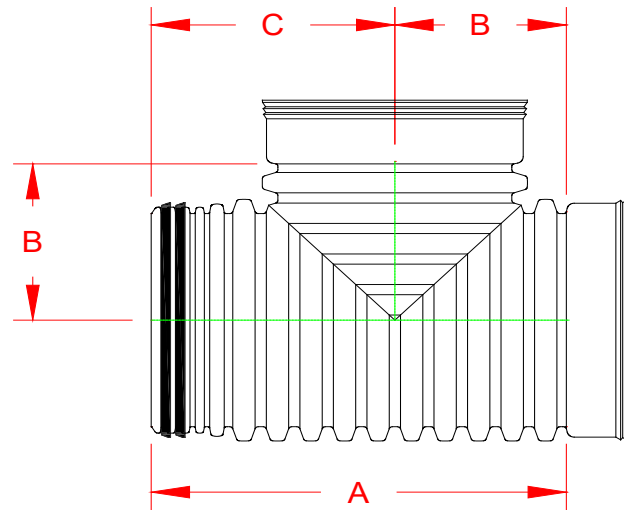


DRAWING #:	13175	
DRAWN BY:	TJR	10/13/2016
APPROVED BY:		
REVISIONS:		



**HP STORM DUAL WALL FABRICATED "WATER TIGHT" "IN-LINE BELL END"  
SINGLE MANIFOLD 21" & 30" - 60" DIAMETER**

PART #	PIPE SIZE	A	B	C
2151AN65BP	21 in (525 mm)	41.7 in (1060 mm)	16.6 in (421 mm)	25.2 in (639 mm)
3051AN65BP	30 in (750 mm)	55.6 in (1412 mm)	22.0 in (558 mm)	33.6 in (854 mm)
3651AN65BP	36 in (900 mm)	65.0 in (1652 mm)	26.9 in (682 mm)	38.2 in (969 mm)
4251AN65BP	42 in (1050 mm)	73.7 in (1871 mm)	30.3 in (770 mm)	43.4 in (1101 mm)
4851AN65BP	48 in (1200 mm)	82.6 in (2099 mm)	34.8 in (883 mm)	47.9 in dist end
6051AN65BP	60 in (1500 mm)	97.3 in (2470 mm)	40.0 in (1017 mm)	57.2 in (1454 mm)



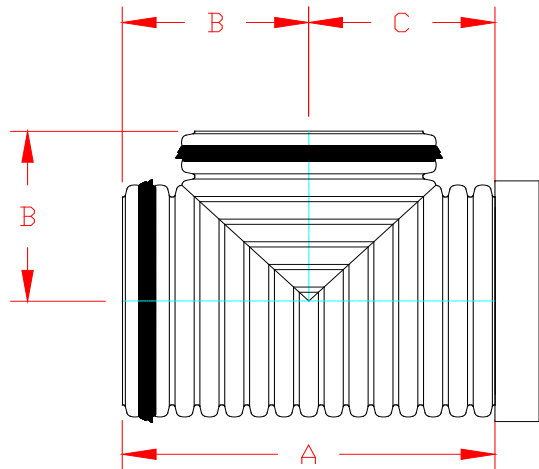
NOTE: ALL FITTINGS DIMENSIONS ARE FOR REFERENCE ONLY



DRAWING #:	13200	
DRAWN BY:	TJR	10/13/2016
APPROVED BY:		
REVISIONS:		

**HP STORM DUAL WALL FABRICATED "WATER TIGHT" "GASKET END"  
SINGLE MANIFOLD 12" - 18" & 24" DIAMETER**

PART #	PIPE SIZE	A	B	C
1251AN65GP	12 in (300 mm)	23.6 in (600 mm)	13.8 in (350 mm)	9.8 in (250 mm)
1551AN65GP	15 in (375 mm)	28.5 in (725 mm)	16.6 in (421 mm)	12.0 in (304 mm)
1851AN65GP	18 in (450 mm)	35.4 in (900 mm)	20.7 in (525 mm)	14.8 in (375 mm)
2451AN65GP	24 in (600 mm)	41.1 in (1043 mm)	23.7 in (602 mm)	17.4 in (441 mm)



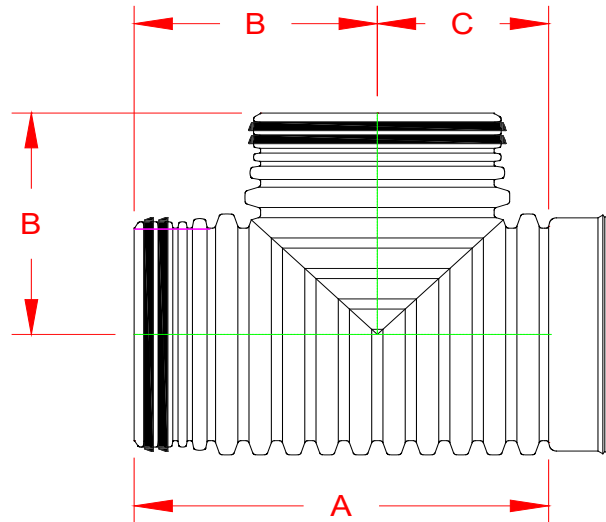
NOTE: ALL FITTINGS DIMENSIONS ARE FOR REFERENCE ONLY



DRAWING #:	13225	
DRAWN BY:	TJR	10/13/2016
APPROVED BY:		
REVISIONS:		

**HP STORM DUAL WALL FABRICATED "WATER TIGHT" "IN-LINE SPIGOT END"  
SINGLE MANIFOLD 21" & 36" - 60" DIAMETER**

PART #	PIPE SIZE	A	B	C
2151AN65GP	21 in (525 mm)	41.7 in (1060 mm)	25.2 in (639 mm)	16.6 in (421 mm)
3051AN65GP	30 in (750 mm)	55.6 in (1412 mm)	33.6 in (854 mm)	22.0 in (558 mm)
3651AN65GP	36 in (900 mm)	65.0 in (1652 mm)	38.2 in (969 mm)	26.9 in (682 mm)
4251AN65GP	42 in (1050 mm)	73.7 in (1871 mm)	43.4 in (1101 mm)	30.3 in (770 mm)
4851AN65GP	48 in (1200 mm)	82.6 in (2099 mm)	47.9 in (1216 mm)	34.8 in (883 mm)
6051AN65GP	60 in (1500 mm)	97.3 in (2470 mm)	57.2 in (1454 mm)	40.0 in (1017 mm)



NOTE: ALL FITTINGS DIMENSIONS ARE FOR REFERENCE ONLY

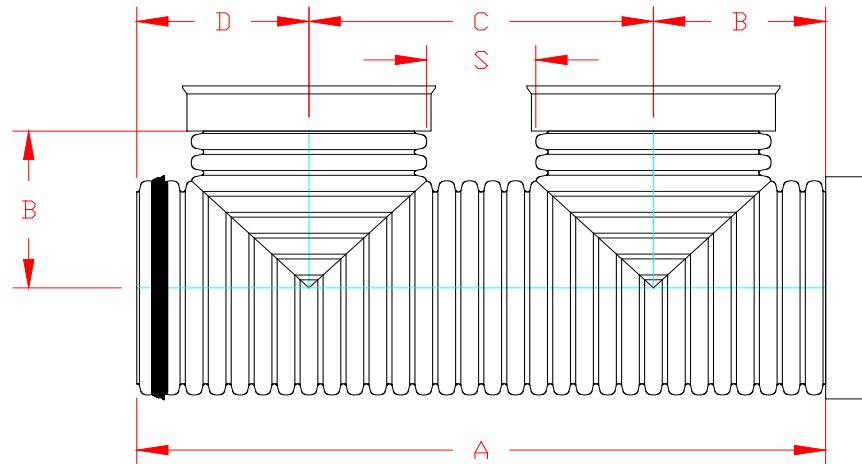
© 2021 Advanced Drainage Systems, Inc.



DRAWING #:	13250	
DRAWN BY:	TJR	10/13/2016
APPROVED BY:		
REVISIONS:		

**HP STORM DUAL WALL FABRICATED "WATER TIGHT" "BELL END"  
DOUBLE MANIFOLD 12" - 18" & 24" DIAMETER**

PART #	PIPE SIZE	A	B	C	D	S
1252AN65BP	12 in (300 mm)	47.3 in (1200 mm)	9.8 in (250 mm)	23.6 in (600 mm)	13.8 in (350 mm)	9.1 in (230 mm)
1552AN65BP	15 in (375 mm)	56.9 in (1446 mm)	12.0 in (304 mm)	28.4 in (721 mm)	16.6 in (421 mm)	10.7 in (271 mm)
1852AN65BP	18 in (450 mm)	70.9 in (1801 mm)	14.8 in (375 mm)	35.4 in (900 mm)	20.7 in (525 mm)	14.1 in (357 mm)
2452AN65BP	24 in (600 mm)	82.2 in (2087 mm)	17.4 in (441 mm)	41.1 in (1043 mm)	23.7 in (602 mm)	12.6 in (321 mm)



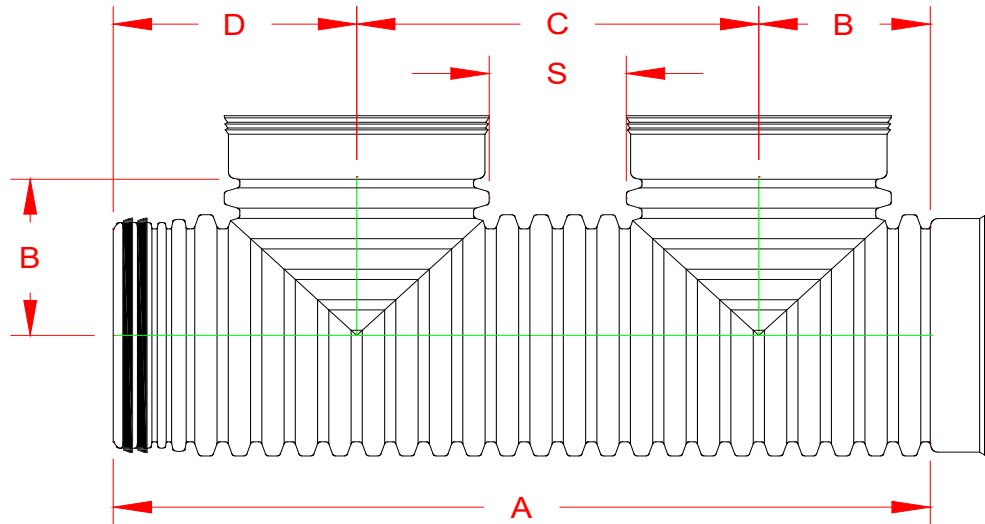
BELL END GASKET NOT INCLUDED WITH FITTING PLEASE ORDER SEPARATELY.

NOTE: ALL FITTINGS DIMENSIONS ARE FOR REFERENCE ONLY

 Advanced Drainage Systems, Inc.	DRAWING #:	13275
	DRAWN BY:	TJR 10/13/2016
	APPROVED BY:	
	REVISIONS:	

**HP STORM DUAL WALL FABRICATED "WATER TIGHT" "IN-LINE BELL END"  
DOUBLE MANIFOLD 21" & 30" - 60" DIAMETER**

PART #	PIPE SIZE	A	B	C	D	S
2152AN65BP	21 in (525 mm)	83.2 in (2113 mm)	16.6 in (421 mm)	41.5 in (1053 mm)	25.2 in (639 mm)	16.7 in (425 mm)
3052AN65BP	30 in (750 mm)	110.0 in (2795 mm)	22.0 in (558 mm)	54.4 in (1381 mm)	33.7 in (856 mm)	18.9 in (481 mm)
3652AN65BP	36 in (900 mm)	128.0 in (3252 mm)	26.9 in (682 mm)	63.0 in (1601 mm)	38.2 in (969 mm)	21.5 in (546 mm)
4252AN65BP	42 in (1050 mm)	145.9 in (3705 mm)	30.3 in (770 mm)	72.2 in (1833 mm)	43.4 in (1101 mm)	24.8 in (629 mm)
4852AN65BP	48 in (1200 mm)	166.8 in (4238 mm)	34.8 in (883 mm)	84.2 in (2139 mm)	47.9 in (1216 mm)	30.0 in (763 mm)
6052AN65BP	60 in (1500 mm)	194.0 in (4928 mm)	40.0 in (1017 mm)	96.8 in (2458 mm)	57.2 in (1454 mm)	29.7 in (754 mm)



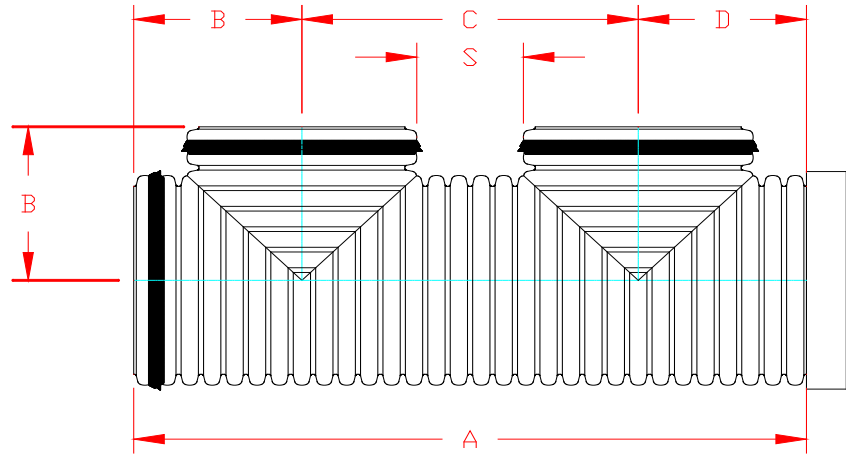
NOTE: ALL FITTINGS DIMENSIONS ARE FOR REFERENCE ONLY



DRAWING #:	13300	
DRAWN BY:	TJR	10/13/2016
APPROVED BY:		
REVISIONS:		

**HP STORM DUAL WALL FABRICATED "WATER TIGHT" "GASKET END"  
DOUBLE MANIFOLD 12" - 18" & 24" DIAMETER**

PART #	PIPE SIZE	A	B	C	D	S
1252AN65GP	12 in (300 mm)	47.3 in (1201 mm)	13.8 in (350 mm)	23.6 in (600 mm)	9.8 in (250 mm)	9.1 in (230 mm)
1552AN65GP	15 in (375 mm)	56.9 in (1446 mm)	16.6 in (421 mm)	28.4 in (721 mm)	12.0 in (304 mm)	10.7 in (271 mm)
1852AN65GP	18 in (450 mm)	70.9 in (1801 mm)	20.7 in (525 mm)	35.4 in (900 mm)	14.8 in (375 mm)	14.1 in (357 mm)
2452AN65GP	24 in (600 mm)	82.2 in (2087 mm)	23.7 in (602 mm)	41.1 in (1043 mm)	17.4 in (441 mm)	12.6 in (321 mm)



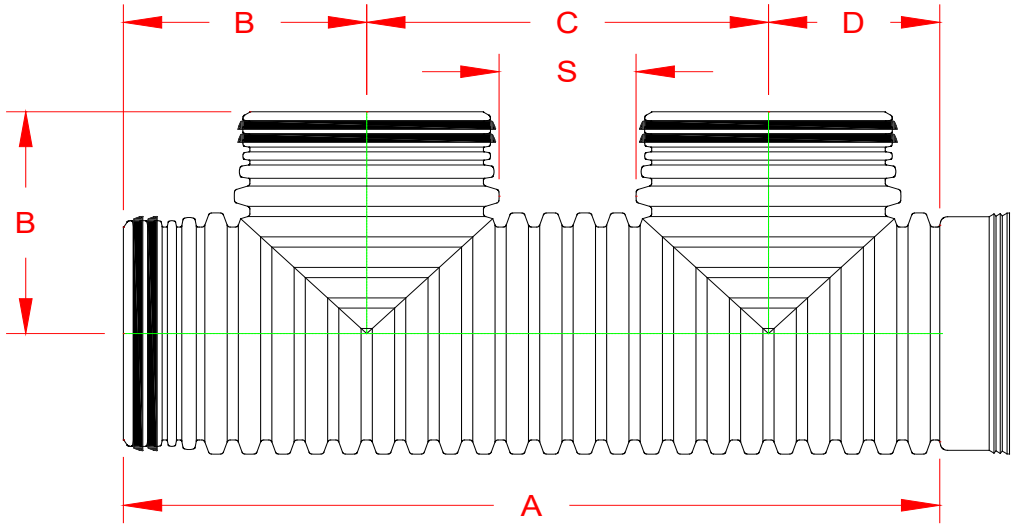
NOTE: ALL FITTINGS DIMENSIONS ARE FOR REFERENCE ONLY



DRAWING #:	13325	
DRAWN BY:	TJR	10/13/2016
APPROVED BY:		
REVISIONS:		

**HP STORM DUAL WALL FABRICATED "WATER TIGHT" "IN-LINE SPIGOT END"  
DOUBLE MANIFOLD 21" & 30" - 60" DIAMETER**

PART #	PIPE SIZE	A	B	C	D	S
2152AN65GP	21 in (525 mm)	83.2 in (2113 mm)	25.2 in (639 mm)	41.5 in (1053 mm)	16.6 in (421 mm)	16.7 in (425 mm)
3052AN65GP	30 in (750 mm)	110.0 in (2795 mm)	33.6 in (854 mm)	54.4 in (1381 mm)	22.0 in (558 mm)	18.9 in (481 mm)
3652AN65GP	36 in (900 mm)	128.0 in (3252 mm)	38.2 in (969 mm)	63.0 in (1601 mm)	26.9 in (682 mm)	21.5 in (546 mm)
4252AN65GP	42 in (1050 mm)	145.9 in (3705 mm)	43.4 in (1101 mm)	72.2 in (1833 mm)	30.3 in (770 mm)	24.8 in (630 mm)
4852AN65GP	48 in (1200 mm)	166.8 in (4238 mm)	47.9 in (1216 mm)	84.2 in (2139 mm)	34.8 in (883 mm)	30.0 in (763 mm)
6052AN65GP	60 in (1500 mm)	194.0 in (4928 mm)	57.2 in (1454 mm)	96.8 in (2458 mm)	40.0 in (1017 mm)	29.7 in (754 mm)

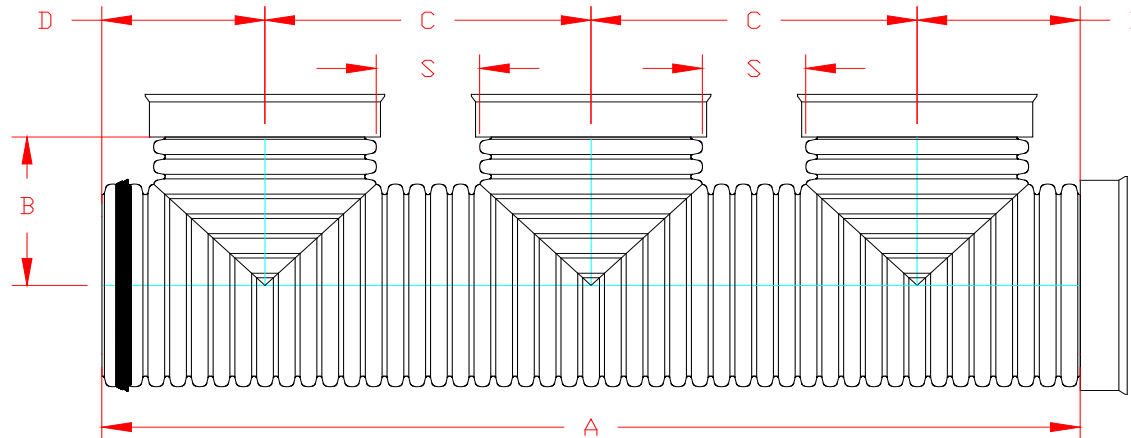


NOTE: ALL FITTINGS DIMENSIONS ARE FOR REFERENCE ONLY

	DRAWING #:	13350
	DRAWN BY:	TJR
	APPROVED BY:	
	REVISIONS:	

**HP STORM DUAL WALL FABRICATED "WATER TIGHT" "BELL END"  
TRIPLE MANIFOLD 12" - 18" & 24" DIAMETER**

PART #	PIPE SIZE	A	B	C	D	S
1253AN65BP	12 in (300 mm)	70.9 in (1800 mm)	9.8 in (250 mm)	23.6 in (600 mm)	13.8 in (350 mm)	9.1 in (230 mm)
1553AN65BP	15 in (375 mm)	85.3 in (2167 mm)	12.0 in (304 mm)	28.4 in (721 mm)	16.6 in (421 mm)	10.7 in (271 mm)
1853AN65BP	18 in (450 mm)	106.3 in (2701 mm)	14.8 in (375 mm)	35.4 in (900 mm)	20.7 in (525 mm)	14.1 in (357 mm)
2453AN65BP	24 in (600 mm)	123.3 in (3131 mm)	17.4 in (441 mm)	41.1 in (1044 mm)	23.7 in (602 mm)	12.6 in (321 mm)



BELL END GASKET NOT INCLUDED WITH FITTING PLEASE ORDER SEPARATELY.

NOTE: ALL FITTINGS DIMENSIONS ARE FOR REFERENCE ONLY

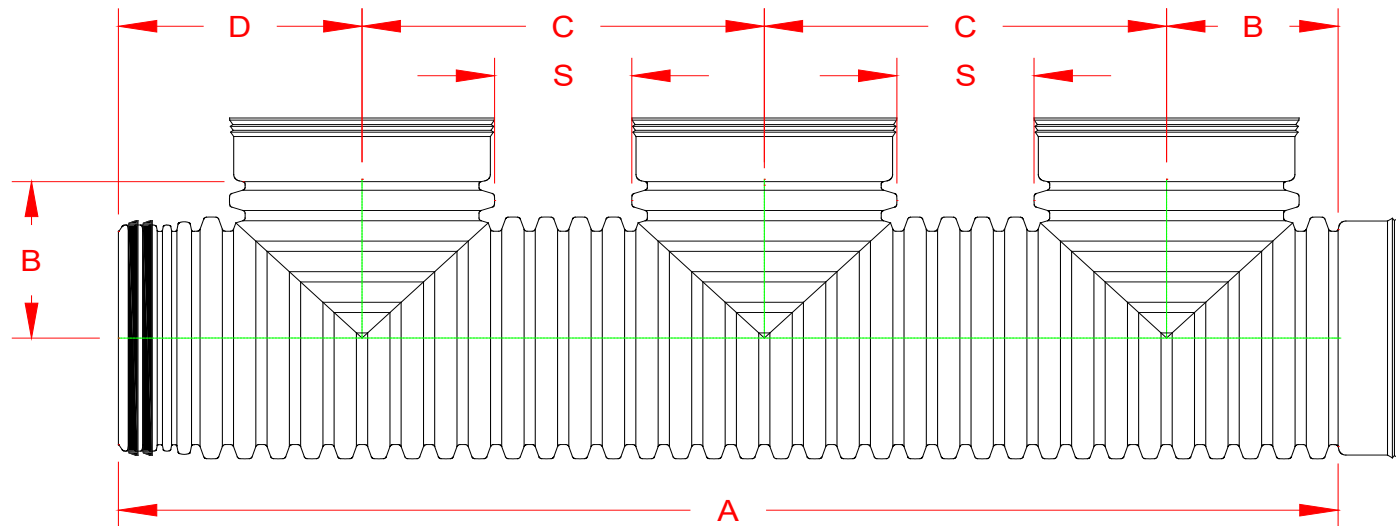


DRAWING #:	13375	
DRAWN BY:	TJR	10/13/2016
APPROVED BY:		
REVISIONS:		



HP STORM DUAL WALL FABRICATED "WATER TIGHT" "IN-LINE BELL END"  
TRIPLE MANIFOLD 21" & 30" - 36" DIAMETER

PART #	PIPE SIZE	A	B	C	D	S
2153AN65BP	21 in (525 mm)	124.6 in (3165 mm)	16.6 in (421 mm)	41.5 in (1053 mm)	25.2 in (639 mm)	16.7 in (425 mm)
3053AN65BP	30 in (750 mm)	164.4 in (4176 mm)	22.0 in (559 mm)	54.4 in (1381 mm)	33.7 in (856 mm)	18.9 in (481 mm)
3653AN65BP	36 in (900 mm)	191.1 in (4853 mm)	26.9 in (682 mm)	63.0 in (1601 mm)	38.2 in (969 mm)	21.5 in (546 mm)



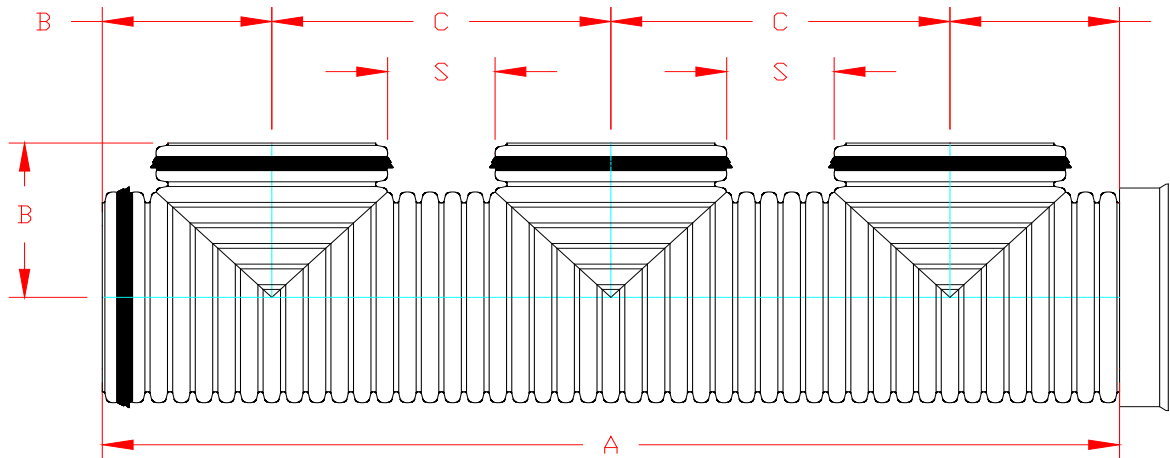
NOTE: ALL FITTINGS DIMENSIONS ARE FOR REFERENCE ONLY



DRAWING #:	13400	
DRAWN BY:	TJR	10/13/2016
APPROVED BY:		
REVISIONS:		

**HP STORM DUAL WALL FABRICATED "WATER TIGHT" "GASKET END"  
TRIPLE MANIFOLD 12" - 18" & 24" DIAMETER**

PART #	PIPE SIZE	A	B	C	D	S
1253AN65GP	12 in (300 mm)	70.9 in (1800 mm)	13.8 in (350 mm)	23.6 in (600 mm)	9.8 in (250 mm)	9.1 in (230 mm)
1553AN65GP	15 in (375 mm)	85.3 in (2167 mm)	16.6 in (421 mm)	28.4 in (721 mm)	12.0 in (304 mm)	10.7 in (271 mm)
1853AN65GP	18 in (450 mm)	106.3 in (2701 mm)	20.7 in (525 mm)	35.4 in (900 mm)	14.8 in (375 mm)	14.1 in (357 mm)
2453AN65GP	24 in (600 mm)	123.3 in (3131 mm)	23.7 in (602 mm)	41.1 in (1043 mm)	17.4 in (441 mm)	12.6 in (321 mm)



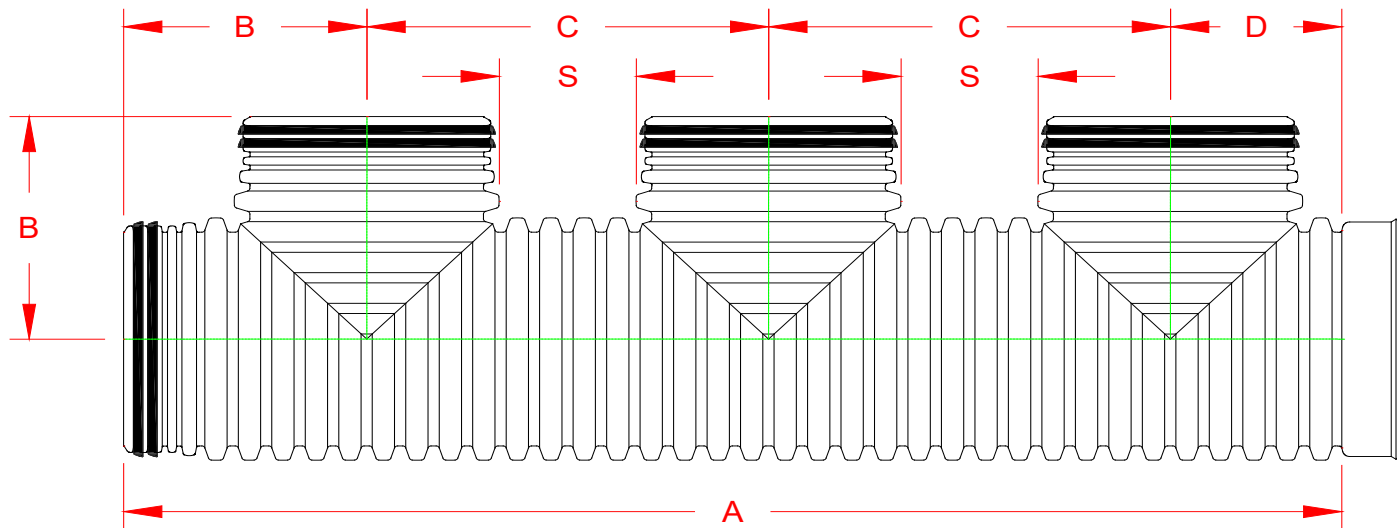
NOTE: ALL FITTINGS DIMENSIONS ARE FOR REFERENCE ONLY



DRAWING #:	13425	
DRAWN BY:	TJR	10/13/2016
APPROVED BY:		
REVISIONS:		

**HP STORM DUAL WALL FABRICATED "WATER TIGHT" "IN-LINE SPIGOT END"  
TRIPLE MANIFOLD 21" & 30" - 36" DIAMETER**

PART #	PIPE SIZE	A	B	C	D	S
2153AN65GP	21 in (525 mm)	124.6 in (3165 mm)	25.2 in (639 mm)	41.5 in (1053 mm)	16.6 in (421 mm)	16.7 in (425 mm)
3053AN65GP	30 in (750 mm)	164.4 in (4176 mm)	33.7 in (856 mm)	54.4 in (1381 mm)	22.0 in (558 mm)	18.9 in (481 mm)
3653AN65GP	36 in (900 mm)	191.1 in (4853 mm)	38.2 in (969 mm)	63.0 in (1601 mm)	26.9 in (682 mm)	21.5 in (546 mm)

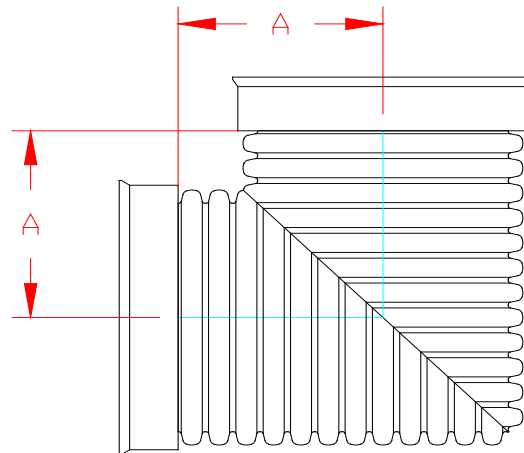


NOTE: ALL FITTINGS DIMENSIONS ARE FOR REFERENCE ONLY

 <small>Advanced Drainage Systems, Inc.</small>	DRAWING #:	13450	
	DRAWN BY:	TJR	10/13/2016
	APPROVED BY:		
	REVISIONS:		

HP STORM DUAL WALL FABRICATED "WATER TIGHT" "BELL-BELL"  
 90° MANIFOLD BEND 12" - 18" & 24" DIAMETER

PART #	PIPE SIZE	A
1298AN65BBP	12 in (300 mm)	9.8 in (250 mm)
1598AN65BBP	15 in (375 mm)	12.0 in (304 mm)
1898AN65BBP	18 in (450 mm)	14.8 in (375 mm)
2498AN65BBP	24 in (600 mm)	17.4 in (441 mm)



BELL END GASKET NOT INCLUDED WITH FITTING PLEASE ORDER SEPARATELY.

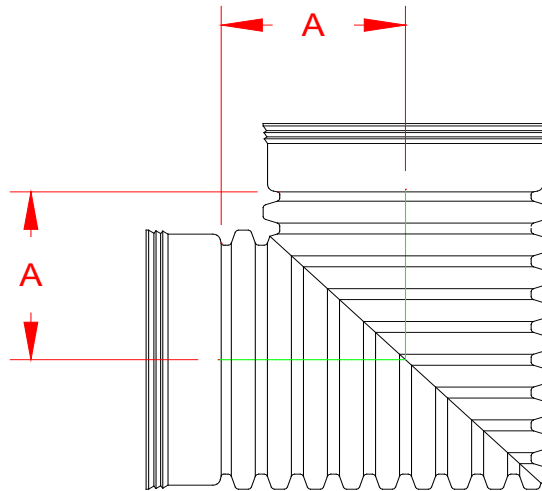
NOTE: ALL FITTINGS DIMENSIONS ARE FOR REFERENCE ONLY



DRAWING #:	13475	
DRAWN BY:	TJR	10/13/2016
APPROVED BY:		
REVISIONS:		

HP STORM DUAL WALL FABRICATED "WATER TIGHT" "IN-LINE BELL - IN-LINE BELL"  
 90° MANIFOLD BEND 21" & 30" - 60" DIAMETER

PART #	PIPE SIZE	A
2198AN65BBP	21 in (525 mm)	17.1 in (434 mm)
3098AN65BBP	30 in (750 mm)	21.7 in (551 mm)
3698AN65BBP	36 in (900 mm)	26.9 in (682 mm)
4298AN65BBP	42 in (1050 mm)	29.9 in (760 mm)
4898AN65BBP	48 in (1200 mm)	34.8 in (883 mm)
6098AN65BBP	60 in (1500 mm)	40.1 in (1018 mm)



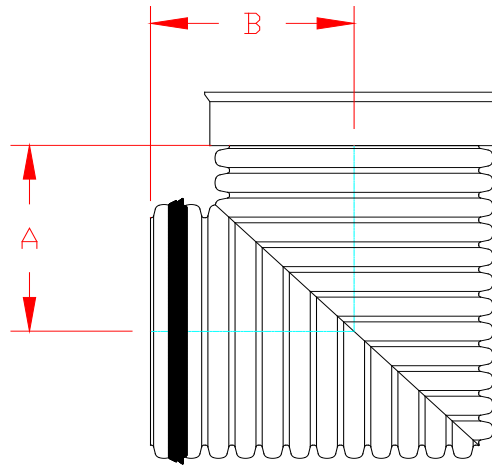
NOTE: ALL FITTINGS DIMENSIONS ARE FOR REFERENCE ONLY



DRAWING #:	13500	
DRAWN BY:	TJR	10/13/2016
APPROVED BY:		
REVISIONS:		

**HP STORM DUAL WALL FABRICATED "WATER TIGHT" "BELL - GASKET"  
90° MANIFOLD BEND 12" - 18" & 24" DIAMETER**

PART #	PIPE SIZE	A	B
1298AN65BGP	12 in (300 mm)	9.8 in (250 mm)	13.8 in (350 mm)
1598AN65BGP	15 in (375 mm)	12.0 in (304 mm)	16.6 in (421 mm)
1898AN65BGP	18 in (450 mm)	14.8 in (375 mm)	20.7 in (525 mm)
2498AN65BGP	24 in (600 mm)	17.4 in (441 mm)	23.7 in (602 mm)



BELL END GASKET NOT INCLUDED WITH FITTING PLEASE ORDER SEPARATELY.

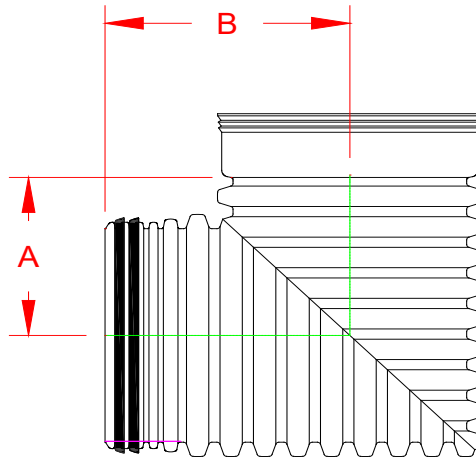
NOTE: ALL FITTINGS DIMENSIONS ARE FOR REFERENCE ONLY



DRAWING #:	13525	
DRAWN BY:	TJR	10/7/2016
APPROVED BY:		
REVISIONS:		

**HP STORM DUAL WALL FABRICATED "WATER TIGHT" "IN-LINE BELL - IN-LINE SPIGOT"  
90° MANIFOLD BEND 21" & 30" - 60" DIAMETER**

PART #	PIPE SIZE	A	B
2198AN65BGP	21 in (525 mm)	17.1 in (434 mm)	25.7 in (652 mm)
3098AN65BGP	30 in (750 mm)	22.0 in (558 mm)	33.6 in (854 mm)
3698AN65BGP	36 in (900 mm)	27.1 in (689 mm)	38.4 in (975 mm)
4298AN65BGP	42 in (1050 mm)	29.9 in (760 mm)	43.0 in (1091 mm)
4898AN65BGP	48 in (1200 mm)	34.8 in (883 mm)	47.9 in (1216 mm)
6098AN65BGP	60 in (1500 mm)	40.3 in (1024 mm)	57.5 in (1462 mm)



BELL END GASKET NOT INCLUDED WITH FITTING PLEASE ORDER SEPARATELY.

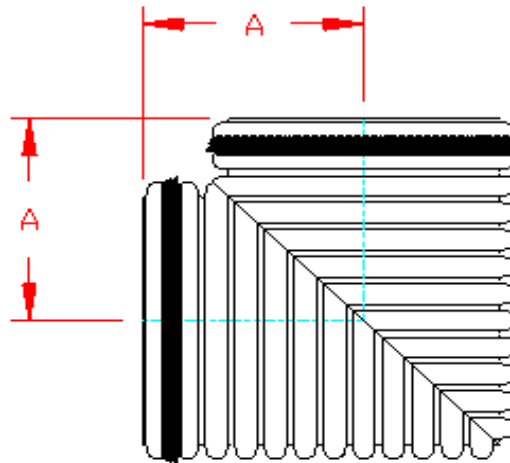
NOTE: ALL FITTINGS DIMENSIONS ARE FOR REFERENCE ONLY



DRAWING #:	13550	
DRAWN BY:	TJR	10/7/2016
APPROVED BY:		
REVISIONS:		

HP STORM DUAL WALL FABRICATED "WATER TIGHT" "GASKET-GASKET"  
 90° MANIFOLD BEND 12" - 18" & 24" DIAMETER

PART #	PIPE SIZE	A
1298AN65GGP	12 in (300 mm)	13.8 in (351 mm)
1598AN65GGP	15 in (375 mm)	16.6 in (422 mm)
1898AN65GGP	18 in (450 mm)	20.6 in (523 mm)
2498AN65GGP	24 in (600 mm)	23.6 in (600 mm)



NOTE: ALL FITTINGS DIMENSIONS ARE FOR REFERENCE ONLY

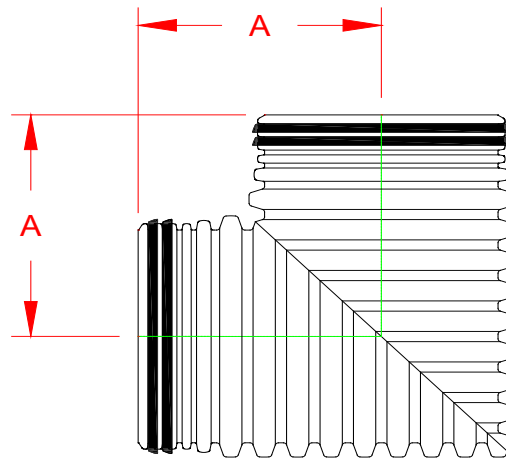


DRAWING #:	13575	
DRAWN BY:	TJR	10/13/2016
APPROVED BY:		
REVISIONS:		



HP STORM DUAL WALL FABRICATED "WATER TIGHT" "IN-LINE SPIGOT - IN-LINE SPIGOT"  
 90° MANIFOLD BEND 21" & 30" - 60" DIAMETER

PART #	PIPE SIZE	A
2198AN65GGP	21 in (525 mm)	25.7 in (652 mm)
3098AN65GGP	30 in (750 mm)	33.6 in (854 mm)
3698AN65GGP	36 in (900 mm)	38.2 in (969 mm)
4298AN65GGP	42 in (1050 mm)	43.0 in (1091 mm)
4898AN65GGP	48 in (1200 mm)	47.9 in (1216 mm)
6098AN65GGP	60 in (1500 mm)	57.5 in (1461 mm)



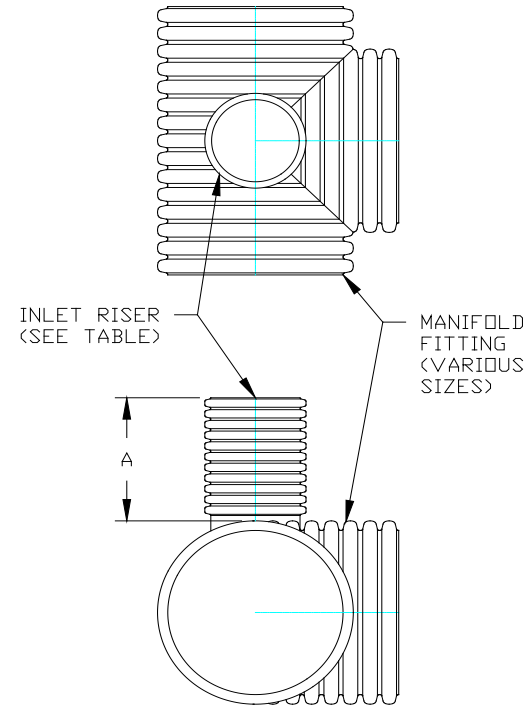
NOTE: ALL FITTINGS DIMENSIONS ARE FOR REFERENCE ONLY



DRAWING #:	13600	
DRAWN BY:	TJR	10/13/2016
APPROVED BY:		
REVISIONS:		

## HP STORM DUAL WALL FABRICATED MANIFOLD INLET RISER

PART #	PIPE SIZE	A
1203ANP	12 in (300 mm)	24.0 in (610 mm)
1503ANP	15 in (375 mm)	36.0 in (914 mm)
1803ANP	18 in (450 mm)	36.0 in (914 mm)
2403ANP	24 in (600 mm)	36.0 in (914 mm)



This component item can only be ordered with standard manifold fittings or standard pipe. When ordering this component item, be sure to include shop drawing showing the location of inlet riser on standard manifold or pipe product.

Contact your local sales representative for acceptable size combinations, ie 48" manifold fitting with a 24" riser. **Not all combinations of inlet riser on standard manifold or pipe product are allowed.**

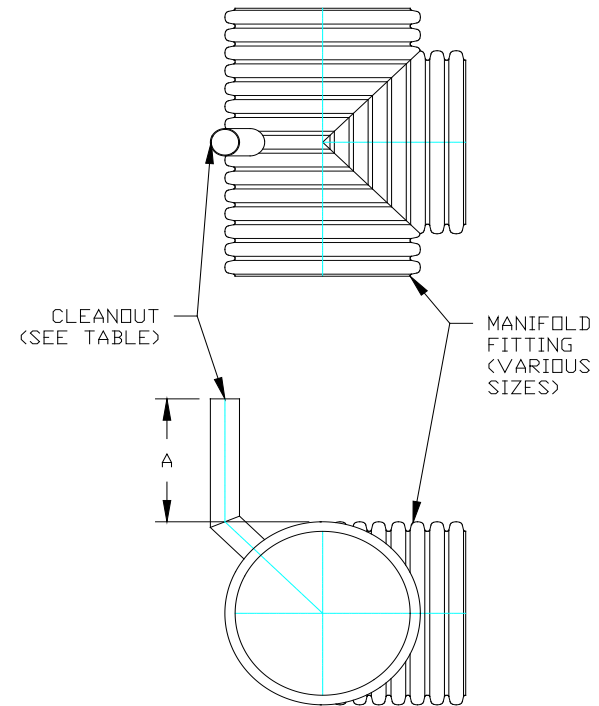
NOTE: ALL FITTINGS DIMENSIONS ARE FOR REFERENCE ONLY

 Advanced Drainage Systems, Inc.	DRAWING #:	13625	
	DRAWN BY:	TJR	12/14/2016
	APPROVED BY:		
	REVISIONS:		

## HP STORM DUAL WALL FABRICATED MANIFOLD CLEANOUT RISER

PART #	PIPE SIZE	A
0402ANP	4 in (100 mm)	36.0 in (914 mm)
0602ANP	6 in (150 mm)	36.0 in (914 mm)
0802ANP	8 in (200 mm)	36.0 in (914 mm)

This component item can only be ordered with standard manifold fittings or standard pipe. When ordering this component item, be sure to include shop drawing showing the location of cleanout riser on standard manifold.

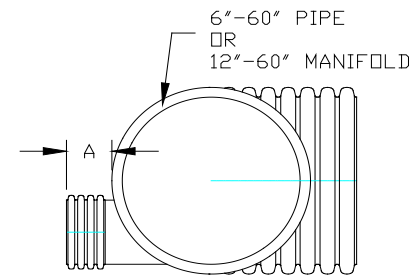
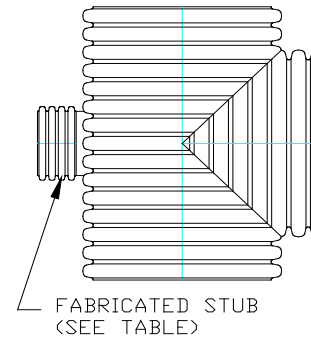


NOTE: ALL FITTINGS DIMENSIONS ARE FOR REFERENCE ONLY

	DRAWING #:	13650
	DRAWN BY:	TJR 10/13/2016
	APPROVED BY:	
	REVISIONS:	

## HP STORM DUAL WALL FABRICATED STUB

PART #	PIPE SIZE	A
1206ANP	12 in (300 mm)	12.0 in (305 mm)
1506ANP	15 in (375 mm)	16.0 in (406 mm)
1806ANP	18 in (450 mm)	16.0 in (406 mm)
2406ANP	24 in (600 mm)	16.0 in (406 mm)



This component item can only be ordered with standard manifold fittings or standard pipe. When ordering this component item, be sure to include shop drawing showing the location of stub on standard manifold or pipe product.

Contact your local sales representative for acceptable size combinations, ie 48" manifold fitting with a 24" stub. **Not all combinations of stub on standard manifold or pipe product are allowed.**

NOTE: ALL FITTINGS DIMENSIONS ARE FOR REFERENCE ONLY

 Advanced Drainage Systems, Inc.	DRAWING #:	13675
	DRAWN BY:	TJR 12/14/2016
	APPROVED BY:	
	REVISIONS:	