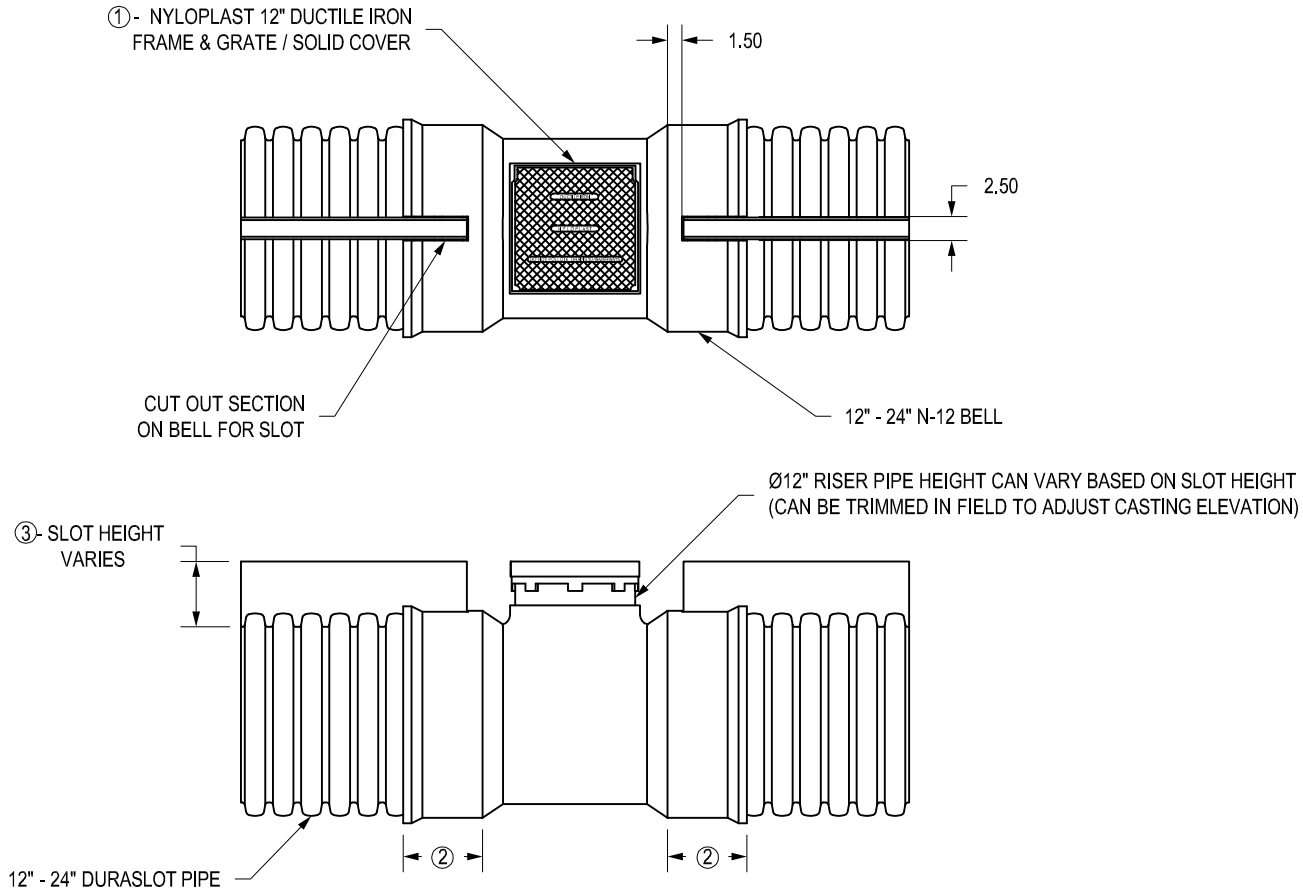


NYLOPLAST 12" - 24" DURASLOT TEE STANDARD DETAIL



- 1 - NYLOPLAST 12" FRAMES & SOLID COVERS/GRATES SHALL CONFORM TO ASTM A 536 GRADE 70-50-05 FOR DUCTILE IRON.
- 2 - ADAPTERS FOR DURASLOT CONNECTION RANGE BETWEEN 12"-24". SEE DRAWING NO. 7001-110-275 FOR ADS N-12 BELL INFORMATION.
- 3 - SLOT HEIGHT VARIES DEPENDING ON DESIGN CRITERIA. SLOT HEIGHT CAN RANGE FROM 2.5" TO 36".
- 3 - ENCASE ADAPTER IN CONCRETE TO SEAL CONNECTION BETWEEN ADS DURASLOT PIPE AND NYLOPLAST TEE BODY.
- 4 - RECTANGULAR SLOTS ARE TO BE CUT INTO BELL ON NYLOPLAST TEE DURING THE MANUFACTURING PROCESS TO ALLOW PIPE AND TEE TO FIT PROPERLY.
- 5 - DIMENSIONS ARE FOR REFERENCE ONLY. ACTUAL DIMENSIONS MAY VARY. DIMENSIONS ARE IN INCHES.

NYLOPLAST 12" CASTINGS			
GRATE OPTIONS	LOAD RATING	PART #	DRAWING #
STANDARD	MEETS H-20	1299CGS	7001-110-203
SOLID COVER	MEETS H-20	1299CGC	7001-110-204

NYLOPLAST DURASLOT TEE	
NYLOPLAST P/N	P/N DESCRIPTION
1265AGDS	12" X 12" DURASLOT TEE
1565AGDS	15" X 12" DURASLOT TEE
1865AGDS	18" X 12" DURASLOT TEE
2466AGDS	24" X 12" DURASLOT TEE

THIS PRINT DISCLOSES SUBJECT MATTER IN WHICH NYLOPLAST HAS PROPRIETARY RIGHTS. THE RECEIPT OR POSSESSION OF THIS PRINT DOES NOT CONFER, TRANSFER, OR LICENSE THE USE OF THE DESIGN OR TECHNICAL INFORMATION SHOWN HEREIN REPRODUCTION OF THIS PRINT OR ANY INFORMATION CONTAINED HEREIN, OR MANUFACTURE OF ANY ARTICLE HEREFROM, FOR THE DISCLOSURE TO OTHERS IS FORBIDDEN, EXCEPT BY SPECIFIC WRITTEN PERMISSION FROM NYLOPLAST.

©2007 NYLOPLAST

DRAWN BY	NMH	MATERIAL	
DATE	03-23-20		
APPD BY	NMH	PROJECT NO./NAME	
DATE	03-23-20		
DWG SIZE	A	SCALE	1:20 SHEET 1 OF 1



ADS
Nyloplast

3130 VERONA AVE
BUFORD, GA 30518
PHN (770) 932-2443
FAX (770) 932-2490
www.nyloplast-us.com

TITLE		
12" - 24" DURASLOT TEE STANDARD DETAIL		
DWG NO.	6001-110-237	REV A