

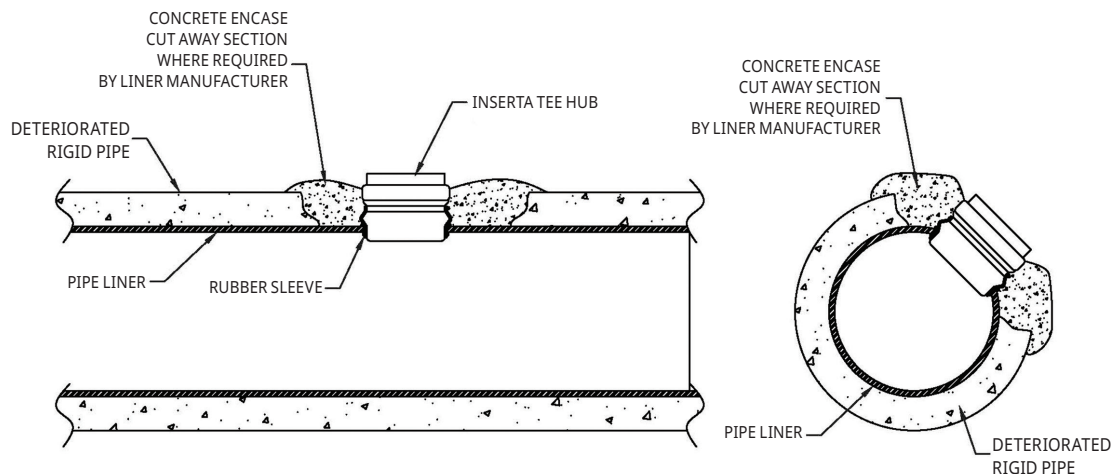
Inserta Tee® For CIP Liner Applications

Inserta Tee is a three-piece service connection consisting of a PVC hub, rubber sleeve and stainless steel band. Inserta Tee is compression fit into the cored wall of a mainline, does not require special tooling and allows for tapping of existing lines without disturbing the bedding.

When utilized with Cured-In-Place Liner applications, Inserta Tees will provide:

- Reduction in labor hours and pipe materials
- Services connected where needed
- Watertight*, testable connection every time

Installation detail for tapping lined rigid pipe using Inserta Tee



Installation Instructions

1. Mark area to be tapped on surface of rigid pipe. Working area should be 2" (50 mm) wider than Inserta Tee diameter.
2. Break away rigid pipe section to be tapped and expose new liner section.
3. Brush and clean pipe liner surface, removing damaged sections of rigid pipe.
4. Core hole into liner with appropriate Inserta Tee hole saw
5. Install Inserta Tee fitting into CIPP Liner per regular installation instructions. (Place sleeve onto host pipe, aligning gold line perpendicular to mainline. Apply soap solution. Align red line on PVC hub to sleeve's gold line. Drive hub through rubber sleeve to the red "home" line. Place and tighten stainless steel band
6. Encase cut out section of rigid pipe with concrete where required by liner manufacturer.

* Watertight performance depends on the type and condition of the mainline pipe. Contact your ADS representative about your specific application.

