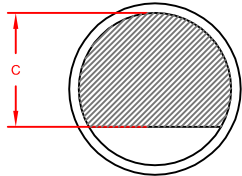
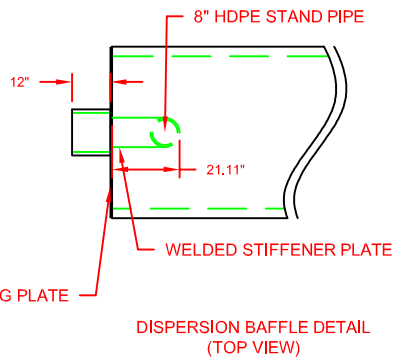


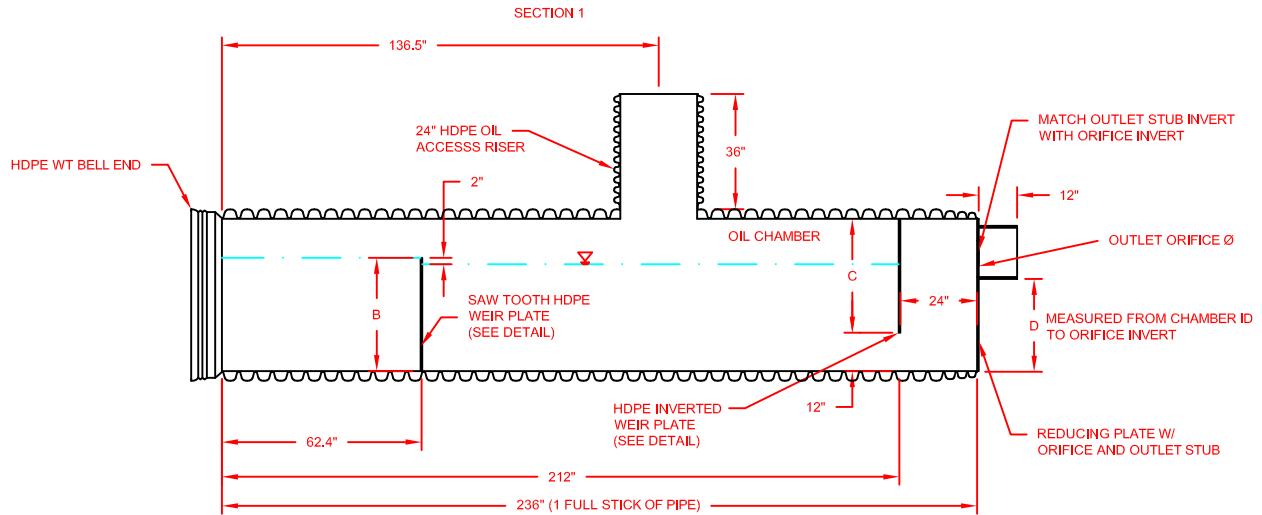
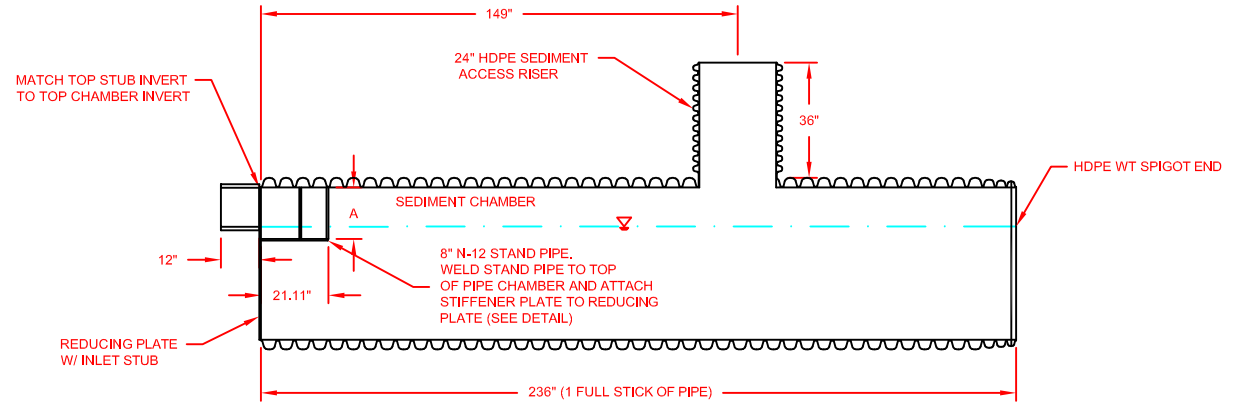
SAW TOOTH HDPE WEIR PLATE IN SEDIMENT CHAMBER



HDPE INVERTED WEIR PLATE FOR OIL CHAMBER



DISPERSION BAFFLE DETAIL (TOP VIEW)



PRODUCT #	MAIN PIPE DIA.	TREAT. FLOW RATE	SIEVE SIZE	INLET STUB DIA.	OUTLET STUB DIA.	ORIFICE DIA.	A	B	C	D
3640WQAXX	36"	2.38 CFS	140	10"	10"	9.9"	13.9"	26"	24"	24"
3640WQBXX	36"	1.60 CFS	200	10"	10"	8.08"	13.9"	26"	24"	24"
4240WQAXX	42"	3.66 CFS	140	12"	12"	11.75"	16.1"	30"	30"	28"
4240WQBXX	42"	1.83 CFS	200	12"	12"	8.31"	16.1"	30"	30"	28"
4840WQAXX	48"	3.94 CFS	140	12"	12"	12.15"	16.1"	36"	36"	34"
4840WQBXX	48"	2.39 CFS	200	12"	12"	9.5"	16.1"	36"	36"	34"
6040WQAXX	60"	6.23 CFS	140	15"	15"	14.61"	18.9"	45"	48"	43"
6040WQBXX	60"	3.12 CFS	200	15"	15"	10.34"	18.9"	45"	48"	43"

XX DENOTES A BY-PASS SIZE OF 15", 18", 24", 30", 36", 42", 48", OR 60"  
 XX=00 DENOTES UNITS W/OUT A BY-PASS.

**NOTES:**

1. THE UNIT WILL BE SHIPPED AS 2 PIECES SECTION 1 AND SECTION 2 WILL BE FIELD CONNECTED
2. ALL DIMENSIONS ARE NOMINAL
3. ALL FITTING CONNECTIONS WILL BE MADE USING A STANDARD BELL/BELL OR SPLIT COUPLER

© 2016 ADS, INC.

ADVANCED DRAINAGE SYSTEMS, INC. ("ADS") HAS PREPARED THIS DETAIL BASED ON INFORMATION PROVIDED TO ADS. THIS DRAWING IS INTENDED TO DEPICT THE COMPONENTS AS REQUESTED. ADS HAS NOT PERFORMED ANY ENGINEERING OR DESIGN SERVICES FOR THIS PROJECT, NOR HAS ADS INDEPENDENTLY VERIFIED THE INFORMATION SUPPLIED. THE INSTALLATION DETAILS PROVIDED HEREIN ARE GENERAL RECOMMENDATIONS AND ARE NOT SPECIFIC FOR THIS PROJECT. THE DESIGN ENGINEER SHALL REVIEW THESE DETAILS PRIOR TO CONSTRUCTION. IT IS THE DESIGN ENGINEERS RESPONSIBILITY TO ENSURE THE DETAILS PROVIDED HEREIN MEETS OR EXCEEDS THE APPLICABLE NATIONAL, STATE, OR LOCAL REQUIREMENTS AND TO ENSURE THAT THE DETAILS PROVIDED HEREIN ARE ACCEPTABLE FOR THIS PROJECT.

2	FORMATTING UPDATES AND RENAMED	TJR	02/17/16	
REV.	DESCRIPTION	BY	MM/DD/YY	CHK'D

<b>40ft WQU PRODUCT DETAIL</b>		 Advanced Drainage Systems, Inc.	4640 TRUEMAN BLVD HILLIARD, OHIO 43026
DRAWING NUMBER: <b>STD-502</b>			DRAWN BY: <b>CKS</b>
		DATE: <b>10/26/07</b>	CHK'D BY:
		SCALE: <b>NTS</b>	SHEET: <b>OF</b>