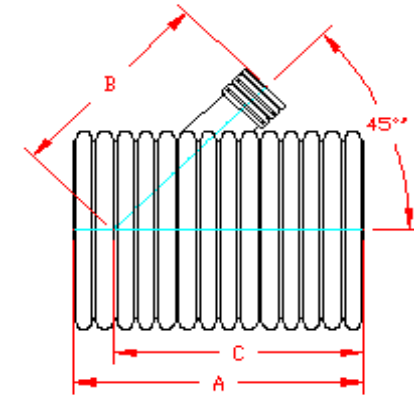
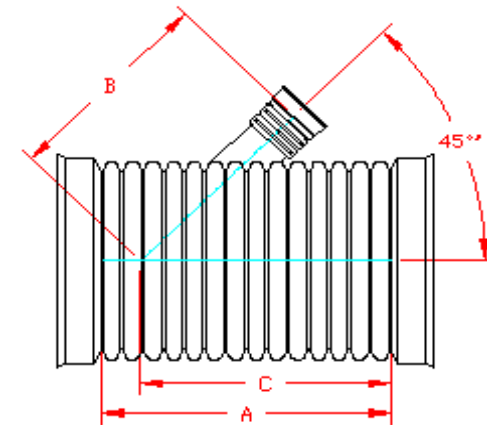


DUAL WALL FABRICATED REDUCING WYES 48"×12" - 48"×24" DIAMETER

PART #	PIPE SIZE	A	B	C	JOINT
4884AN	48 x 12 in (1200 x 300 mm)	62.8 in (1595 mm)	55.2 in (1402 mm)	58.3 in (1481 mm)	*
4884AN65B	48 x 12 in (1200 x 300 mm)	52.3 in (1328 mm)	53.3 in (1353 mm)	53.1 in (1347 mm)	WT
4885AN	48 x 15 in (1200 x 375 mm)	68.0 in (1727 mm)	61.2 in (1555 mm)	60.9 in (1547 mm)	*
4885AN65B	48 x 15 in (1200 x 375 mm)	57.6 in (1463 mm)	58.6 in (1489 mm)	55.7 in (1414 mm)	WT
4886AN	48 x 18 in (1200 x 450 mm)	73.3 in (1862 mm)	62.0 in (1575 mm)	63.6 in (1614 mm)	*
4886AN65B	48 x 18 in (1200 x 450 mm)	62.8 in (1595 mm)	59.3 in (1507 mm)	58.3 in (1481 mm)	WT
4887AN	48 x 24 in (1200 x 600 mm)	83.7 in (2126 mm)	66.3 in (1683 mm)	68.8 in (1748 mm)	*
4887AN65B	48 x 24 in (1200 x 600 mm)	73.3 in (1862 mm)	63.1 in (1603 mm)	63.6 in (1614 mm)	WT



PLAIN END



WT (INCLUDES 3 GASKETS)

* = PLAIN END
ST = SOIL TIGHT
WT = WATER TIGHT

NOTE: ALL FITTINGS DIMENSIONS ARE FOR REFERENCE ONLY

© 2023 Advanced Drainage Systems, Inc.



DRAWING #:	2345A	
DRAWN BY:	JCB	06.14.06
APPROVED BY:	JCB	06.26.07
REVISIONS:	NJP	06.14.07