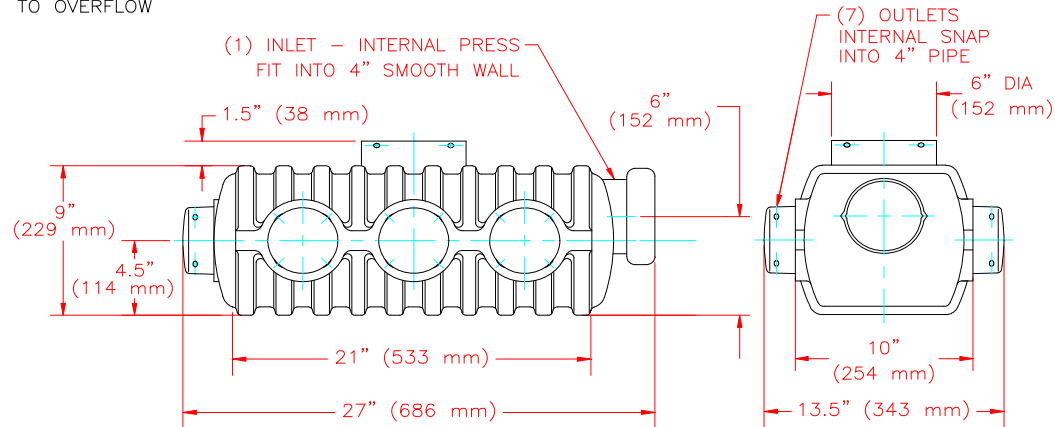


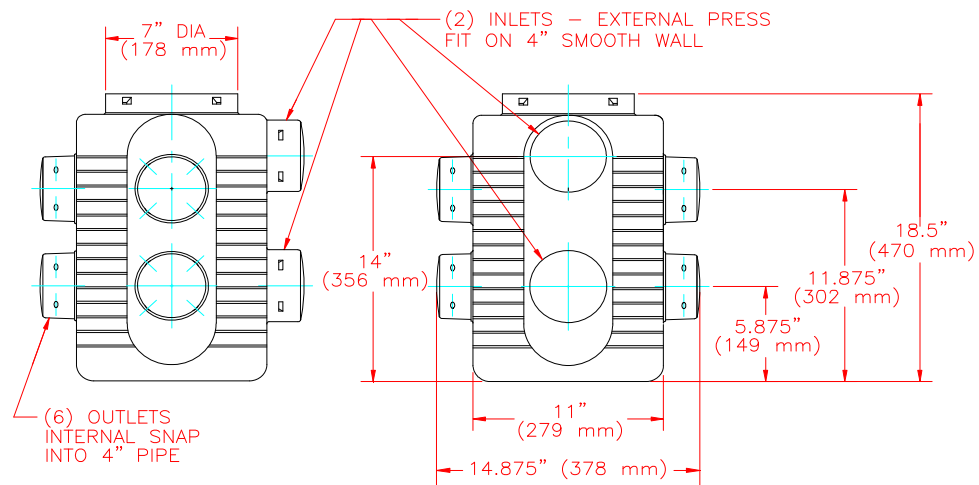
DISTRIBUTION BOXES

PART № 1369 (REGULAR)

CAPACITY:
7.25 GALLONS (28.4 LITERS)
TO OVERFLOW



PART № 1370 (HILLSIDE)



CAPACITY:
8 GALLONS (30.3 LITERS)
TO OVERFLOW

NOTE: ALL FITTINGS DIMENSIONS ARE FOR REFERENCE ONLY

© 2023 Advanced Drainage Systems, Inc.

 Advanced Drainage Systems, Inc.	DRAWING #:	6150	
	DRAWN BY:	TJR	12.18.07
	APPROVED BY:	TJR	12.18.07
	REVISIONS:		