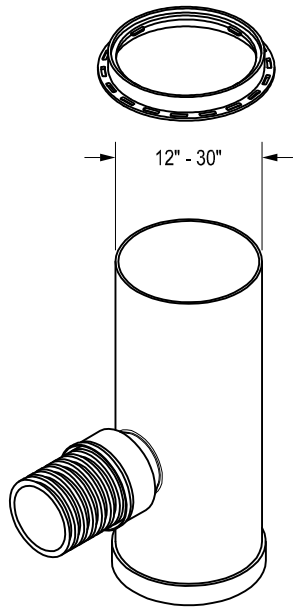
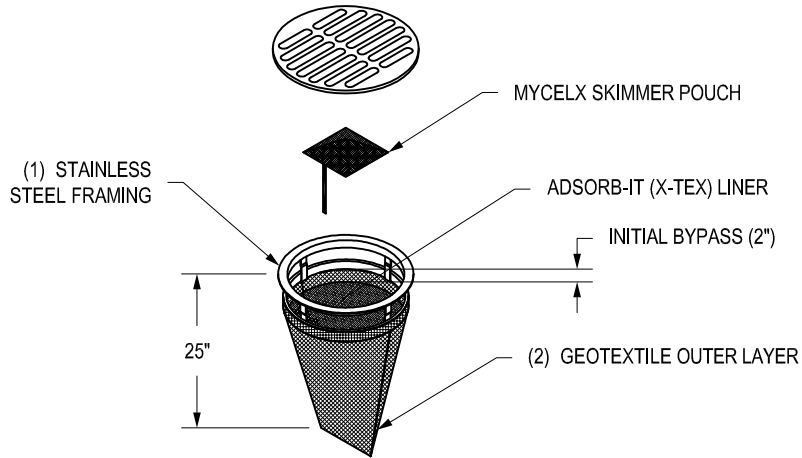
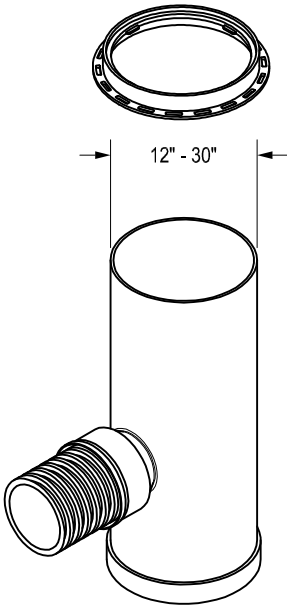
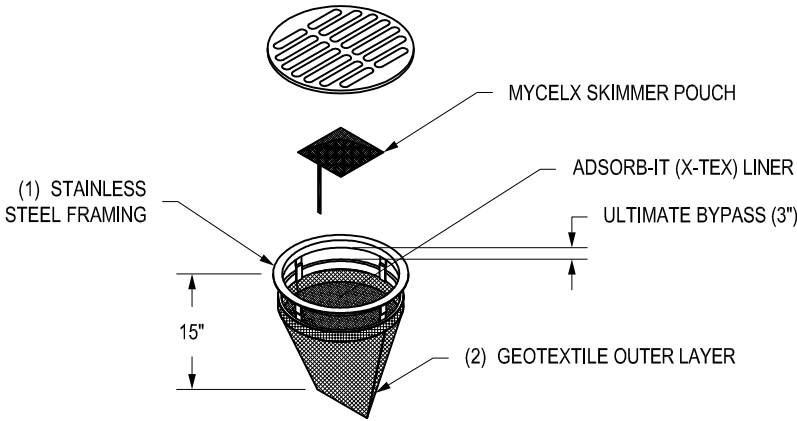


FLEXSTORM PC+ INLET FILTER

PC+ INLET FILTER



PC+ INLET FILTER (SHORT)




- 1 - FLEXSTORM PC FRAME MATERIAL SHALL BE 304 STAINLESS STEEL.
- 2 - FLEXSTORM PC OUTER GEOTEXTILE MATERIAL SHALL BE PROPEX GEOTEX 117F.
- 3 - FLEXSTORM PC AVAILABLE FOR ALL 12" - 30" DRAIN BASIN, ROAD & HIGHWAY, & CURB INLETSTRUCTURE OPTIONS.

THIS PRINT DISCLOSES SUBJECT MATTER IN WHICH NYLOPLAST HAS PROPRIETARY RIGHTS. THE RECEIPT OR POSSESSION OF THIS PRINT DOES NOT CONFER, TRANSFER, OR LICENSE THE USE OF THE DESIGN OR TECHNICAL INFORMATION SHOWN HEREIN REPRODUCTION OF THIS PRINT OR ANY INFORMATION CONTAINED HEREIN, OR MANUFACTURE OF ANY ARTICLE HEREFROM, FOR THE DISCLOSURE TO OTHERS IS FORBIDDEN, EXCEPT BY SPECIFIC WRITTEN PERMISSION FROM NYLOPLAST.

©2013 NYLOPLAST

DRAWN BY	EBC	MATERIAL	
DATE	04-27-10		
APPD BY	CCA	PROJECT NO./NAME	
DATE	09-09-13		
DWG SIZE	A	SCALE 1:30	SHEET 1 OF 1



ADS
Nyloplast

3130 VERONA AVE
BUFORD, GA 30518
PHN (770) 932-2443
FAX (770) 932-2490
www.nyloplast-us.com

TITLE	
FLEXSTORM PC+ INLET FILTER (NYLOPLAST UNIT)	
DWG NO.	7005-110-020
	REV B