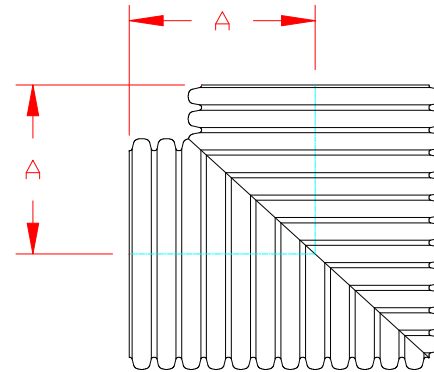


DUAL WALL FABRICATED "SOIL TIGHT" "PLAIN END" 90° MANIFOLD BEND
36" - 60" DIAMETER

PART #	PIPE SIZE	A
3698AN	36 in (900 mm)	31.5 in (800 mm)
4298AN	42 in (1050 mm)	36.0 in (914 mm)
4898AN	48 in (1200 mm)	39.3 in (997 mm)
6098AN	60 in (1500 mm)	45.0 in (1143 mm)



NOTE: ALL FITTINGS DIMENSIONS ARE FOR REFERENCE ONLY

© 2023 Advanced Drainage Systems, Inc.

 Advanced Drainage Systems, Inc.	DRAWING #:	4015A	
	DRAWN BY:	AWM	03.17.06
	APPROVED BY:	JCB	06.28.07
	REVISIONS:	NJP	06.20.07