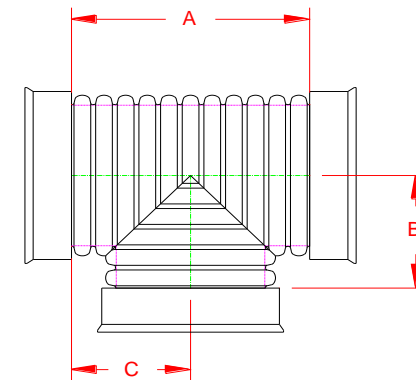


SANITITE® HP DUAL WALL FABRICATED TEES
12" - 24" DIAMETER (BELL\BELL)

PART #	PIPE SIZE	A	B	C	JOINT
1264AN30BP	12 in (300 mm)	21.6 in (548 mm)	10.8 in (274 mm)	10.8 in (274 mm)	WT
1565AN30BP	15 in (375 mm)	26.2 in (665 mm)	13.1 in (333 mm)	13.1 in (333 mm)	WT
1866AN30BP	18 in (450 mm)	26.4 in (671 mm)	13.2 in (335 mm)	13.2 in (336 mm)	WT
2467AN30BP	24 in (600 mm)	38.2 in (969 mm)	19.1 in (485 mm)	19.1 in (485 mm)	WT



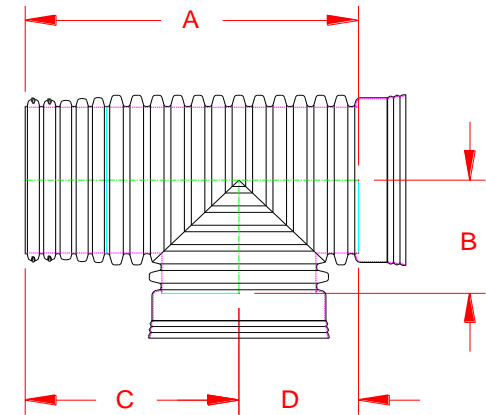
WT (INCLUDES 3 GASKETS)

NOTE: ALL FITTINGS DIMENSIONS ARE FOR REFERENCE ONLY

	DRAWING #:	HP 17000
	DRAWN BY:	TJR 10/27/2009
	APPROVED BY:	
	REVISIONS:	TJR 3/24/2016


**SANITITE® HP DUAL WALL FABRICATED TEES
30" DIAMETER (IB BELL\IB BELL\ SPIGOT)**

PART #	PIPE SIZE	A	B	C	D	JOINT
3068AN30BP	30 in (750 mm)	64.9 in (1649 mm)	25.3 in (642 mm)	39.6 in (1007 mm)	25.3 in (642 mm)	WT



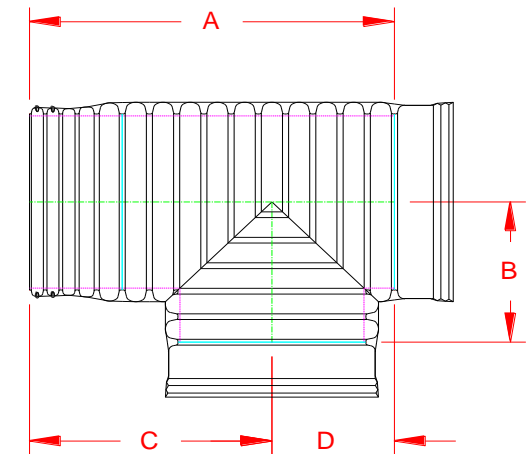
WT (INCLUDES 2 GASKETS)

NOTE: ALL FITTINGS DIMENSIONS ARE FOR REFERENCE ONLY

 Advanced Drainage Systems, Inc.	DRAWING #:	HP 17050
	DRAWN BY:	TJR 8/18/2010
	APPROVED BY:	
	REVISIONS:	TJR 3/24/2016

SANITITE® HP TRIPLE WALL FABRICATED TEES
30" - 60" DIAMETER (IB BELL\IB BELL\ SPIGOT)

PART #	PIPE SIZE	A	B	C	D	JOINT
3068AN30BPT	30 in (750 mm)	65.1 in (1652 mm)	25.3 in (643 mm)	39.2 in (996 mm)	25.3 in (643 mm)	WT
3669AN30BPT	36 in (900 mm)	71.4 in (1813 mm)	26.6 in (676 mm)	44.8 in (1137 mm)	26.6 in (677 mm)	WT
4251AN30BPT	42 in (1050 mm)	69.0 in (1754 mm)	28.4 in (721 mm)	40.6 in (1032 mm)	28.4 in (722 mm)	WT
4851AN30BPT	48 in (1200 mm)	84.2 in (2140 mm)	32.6 in (828 mm)	51.6 in (1311 mm)	32.6 in (829 mm)	WT
6051AN30BPT	60 in (1500 mm)	108.5 in (2757 mm)	39.6 in (1006 mm)	69.0 in (1752 mm)	39.6 in (1005 mm)	WT



WT (INCLUDES 2 GASKETS)

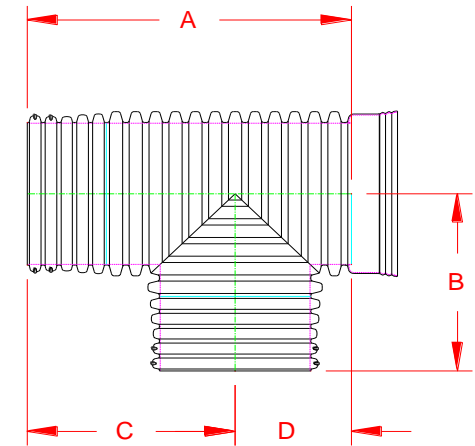
NOTE: ALL FITTINGS DIMENSIONS ARE FOR REFERENCE ONLY



DRAWING #:	HP 17100	
DRAWN BY:	TJR	10/27/2009
APPROVED BY:		
REVISIONS:	TJR	3/24/2016

SANITITE® HP DUAL WALL FABRICATED TEES
 30" DIAMETER (IB BELL\IB SPIGOT\IB SPIGOT)

PART #	PIPE SIZE	A	B	C	D	JOINT
3068AN30GP	30 in (750 mm)	64.9 in (1649 mm)	39.6 in (1007 mm)	39.6 in (1007 mm)	25.3 in (642 mm)	WT



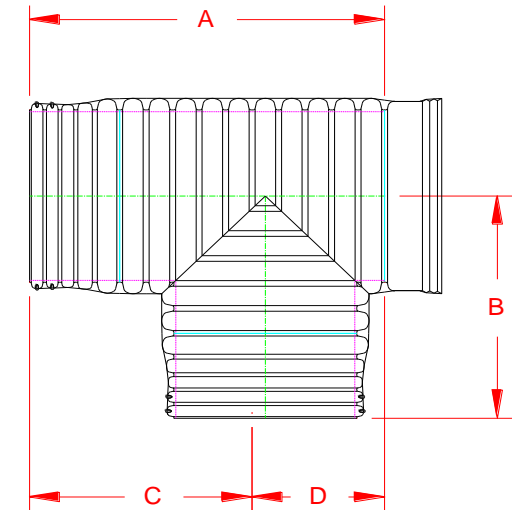
WT (INCLUDES 4 GASKETS)

NOTE: ALL FITTINGS DIMENSIONS ARE FOR REFERENCE ONLY

	DRAWING #:	HP 17150
	DRAWN BY:	TJR 8/18/2010
	APPROVED BY:	
	REVISIONS:	TJR 3/24/2016

SANITITE® HP TRIPLE WALL FABRICATED TEES
30" - 60" DIAMETER (IB BELL\IB SPIGOT\IB SPIGOT)

PART #	PIPE SIZE	A	B	C	D	JOINT
3068AN30GPT	30 in (750 mm)	65.1 in (1652 mm)	39.2 in (995 mm)	39.2 in (996 mm)	25.3 in (643 mm)	WT
3669AN30GPT	36 in (900 mm)	71.4 in (1813 mm)	44.8 in (1138 mm)	44.8 in (1137 mm)	26.6 in (677 mm)	WT
4251AN30GPT	42 in (1050 mm)	69.0 in (1754 mm)	42.7 in (1085 mm)	40.6 in (1032 mm)	28.4 in (722 mm)	WT
4851AN30GPT	48 in (1200 mm)	84.2 in (2140 mm)	51.6 in (1311 mm)	51.6 in (1311 mm)	32.6 in (829 mm)	WT
6051AN30GPT	60 in (1500 mm)	108.5 in (2757 mm)	69.0 in (1753 mm)	69.0 in (1752 mm)	39.6 in (1005 mm)	WT



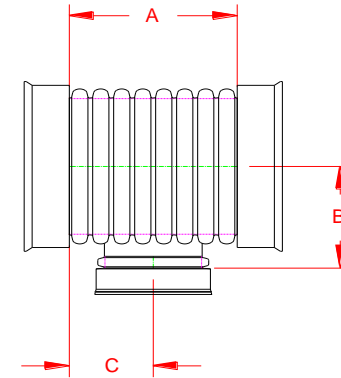
WT (INCLUDES 4 GASKETS)

NOTE: ALL FITTINGS DIMENSIONS ARE FOR REFERENCE ONLY

	DRAWING #:	HP 17200
	DRAWN BY:	TJR 10/27/2009
	APPROVED BY:	
	REVISIONS:	TJR 3/24/2016

SANITITE® HP DUAL WALL FABRICATED REDUCING TEES
15" X 12" - 24" X 18" DIAMETER (BELLBELL)

PART #	PIPE SIZE	A	B	C	JOINT
1564AN30BP	15 x 12 in (375 x 300 mm)	26.2 in (665 mm)	14.1 in (358 mm)	13.1 in (333 mm)	WT
1864AN30BP	18 x 12 in (450 x 300 mm)	26.4 in (671 mm)	15.5 in (394 mm)	13.2 in (336 mm)	WT
1865AN30BP	18 x 15 in (450 x 375 mm)	29.1 in (738 mm)	17.6 in (447 mm)	14.5 in (369 mm)	WT
2464AN30BP	24 x 12 in (600 x 300 mm)	28.6 in (727 mm)	19.3 in (490 mm)	14.3 in (363 mm)	WT
2465AN30BP	24 x 15 in (600 x 375 mm)	31.8 in (808 mm)	21.4 in (544 mm)	15.9 in (404 mm)	WT
2466AN30BP	24 x 18 in (600 x 450 mm)	35.0 in (888 mm)	21.2 in (538 mm)	17.5 in (444 mm)	WT



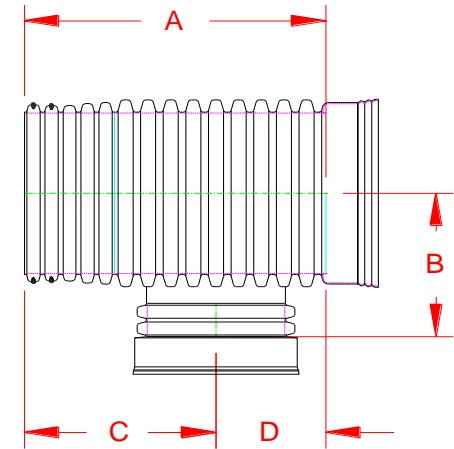
WT (INCLUDES 3 GASKETS)

NOTE: ALL FITTINGS DIMENSIONS ARE FOR REFERENCE ONLY

	DRAWING #:		HP 17300
	DRAWN BY:		TJR 10/27/2009
	APPROVED BY:		
	REVISIONS:		TJR 8/18/2010

SANITITE® HP DUAL WALL FABRICATED REDUCING TEE
30" x 12" - 30" x 24" DIAMETER (IB BELL\IB SPIGOT\BELL)

PART #	PIPE SIZE	A	B	C	D	JOINT
3064AN30BP	30 x 12 in (750x 300 mm)	41.1 in (1043 mm)	22.9 in (582 mm)	27.7 in (704 mm)	13.4 in (339 mm)	WT
3065AN30BP	30 x 15 in (750 x 375 mm)	45.0 in (1144 mm)	25.0 in (634 mm)	29.7 in (754 mm)	15.3 in (390 mm)	WT
3066AN30BP	30 x 18 in (750 x 450mm)	49.0 in (1245 mm)	24.8 in (630 mm)	31.7 in (805 mm)	17.3 in (440 mm)	WT
3067AN30BP	30 x 24 in (750 x 600 mm)	53.0 in (1346 mm)	26.8 in (681 mm)	33.7 in (855 mm)	19.3 in (491 mm)	WT



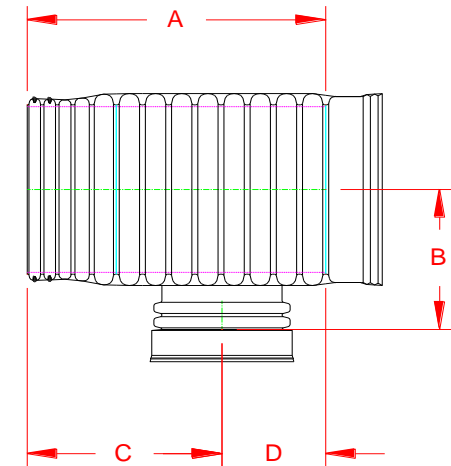
WT (INCLUDES 3 GASKETS)

NOTE: ALL FITTINGS DIMENSIONS ARE FOR REFERENCE ONLY

 Advanced Drainage Systems, Inc.	DRAWING #:	HP 17350	
	DRAWN BY:	TJR	8/18/2010
	APPROVED BY:		
	REVISIONS:		

SANITITE® HP TRIPLE WALL FABRICATED REDUCING TEE
30" x 12" - 42" x 24" DIAMETER (IB BELL\IB SPIGOT\BELL)

PART #	PIPE SIZE	A	B	C	D	JOINT
3064AN30BPT	30 x 12 in (750x 300 mm)	46.2 in (1173 mm)	22.9 in (582 mm)	31.6 in (804 mm)	13.4 in (340 mm)	WT
3065AN30BPT	30 x 15 in (750 x 375 mm)	50.0 in (1269 mm)	25.0 in (634 mm)	33.8 in (858 mm)	15.2 in (387 mm)	WT
3066AN30BPT	30 x 18 in (750 x 450mm)	51.6 in (1310 mm)	25.0 in (635 mm)	35.7 in (907 mm)	17.3 in (439 mm)	WT
3067AN30BPT	30 x 24 in (750 x 600 mm)	55.6 in (1411 mm)	26.9 in (682 mm)	37.7 in (958 mm)	19.3 in (489 mm)	WT
3664AN30BPT	36 x 12 in (900x 300 mm)	44.8 in (1137 mm)	26.5 in (672 mm)	31.4 in (799 mm)	13.3 in (338 mm)	WT
3665AN30BPT	36 x 15 in (900 x 375 mm)	50.1 in (1272 mm)	28.5 in (724 mm)	34.2 in (869 mm)	15.9 in (403 mm)	WT
3666AN30BPT	36 x 18 in (900 x 450mm)	55.4 in (1407 mm)	25.6 in (649 mm)	36.9 in (938 mm)	18.5 in (470 mm)	WT
3667AN30BPT	36 x 24 in (900 x 600 mm)	60.7 in (1543 mm)	30.4 in (772 mm)	39.6 in (1007 mm)	21.1 in (536 mm)	WT
4264AN30BPT	42 x 12 in (1050 x 300 mm)	35.5 in (901 mm)	28.8 in (731 mm)	24.4 in (620 mm)	11.1 in (281 mm)	WT
4265AN30BPT	42 x 15 in (1050 x 375 mm)	43.9 in (1114 mm)	30.8 in (783 mm)	28.6 in (726 mm)	15.3 in (387 mm)	WT
4266AN30BPT	42 x 18 in (1050 x 450 mm)	43.9 in (1114 mm)	30.9 in (784 mm)	28.6 in (726 mm)	15.3 in (387 mm)	WT
4267AN30BPT	42 x 24 in (1050 x 600 mm)	52.3 in (1327 mm)	32.7 in (831 mm)	32.8 in (833 mm)	19.5 in (494 mm)	WT



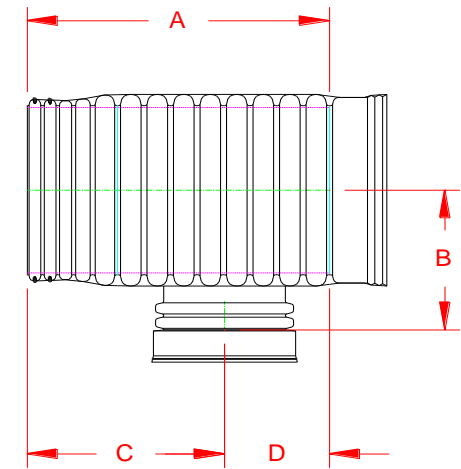
WT (INCLUDES 3 GASKETS)

NOTE: ALL FITTINGS DIMENSIONS ARE FOR REFERENCE ONLY

 Advanced Drainage Systems, Inc.	DRAWING #:	HP 17400
	DRAWN BY:	TJR 10/27/2009
	APPROVED BY:	
	REVISIONS:	TJR 8/8/2011


SANITITE® HP TRIPLE WALL FABRICATED REDUCING TEE
48" x 12" - 60" x 24" DIAMETER (IB BELL\IB SPIGOT\BELL)

PART #	PIPE SIZE	A	B	C	D	JOINT
4864AN30BPT	48 x 12 in (1200 x 300 mm)	47.6 in (1209 mm)	32.3 in (820 mm)	33.3 in (846 mm)	14.3 in (363 mm)	WT
4865AN30BPT	48 x 15 in (1200 x 375 mm)	52.9 in (1342 mm)	34.4 in (872 mm)	33.3 in (846 mm)	16.9 in (430 mm)	WT
4866AN30BPT	48 x 18 in (1200 x 450 mm)	58.1 in (1475 mm)	34.4 in (873 mm)	35.9 in (912 mm)	19.5 in (496 mm)	WT
4867AN30BPT	48 x 24 in (1200 x 600 mm)	63.3 in (1608 mm)	36.2 in (920 mm)	41.2 in (1045 mm)	22.2 in (563 mm)	WT
6064AN30BPT	60 x 12 in (1500 x 300 mm)	59.8 in (1519 mm)	38.8 in (985 mm)	44.7 in (1135 mm)	15.1 in (384 mm)	WT
6065AN30BPT	60 x 15 in (1500 x 375 mm)	59.8 in (1519 mm)	40.9 in (1040 mm)	44.8 in (1137 mm)	15.0 in (382 mm)	WT
6066AN30BPT	60 x 18 in (1500 x 450 mm)	65.9 in (1674 mm)	41.0 in (1041 mm)	47.9 in (1216 mm)	18.0 in (458 mm)	WT
6067AN30BPT	60 x 24 in (1500 x 600 mm)	72.0 in (1829 mm)	42.8 in (1088 mm)	51.0 in (1294 mm)	21.0 in (534 mm)	WT



WT (INCLUDES 3 GASKETS)

NOTE: ALL FITTINGS DIMENSIONS ARE FOR REFERENCE ONLY

 Advanced Drainage Systems, Inc.	DRAWING #:	HP 17500
	DRAWN BY:	TJR 10/27/2009
	APPROVED BY:	
	REVISIONS:	TJR 8/8/2011