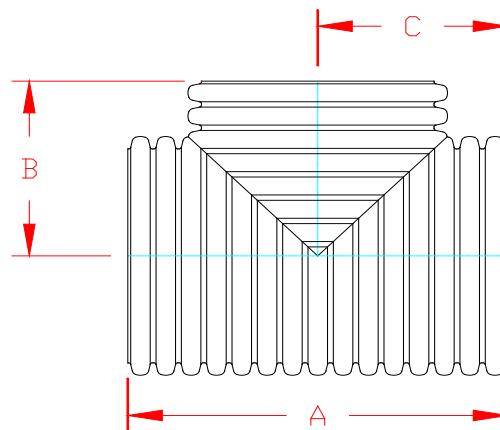


**HP STORM DUAL WALL FABRICATED "SOIL TIGHT" "PLAIN END"
SINGLE MANIFOLD 12" - 30" DIAMETER**

PART #	PIPE SIZE	A	B	C
1251ANP	12 in (300 mm)	23.6 in (600 mm)	11.8 in (300 mm)	11.8 in (300 mm)
1551ANP	15 in (375 mm)	28.4 in (721 mm)	14.2 in (360 mm)	14.2 in (360 mm)
1851ANP	18 in (450 mm)	35.4 in (900 mm)	17.7 in (450 mm)	17.7 in (450 mm)
2151ANP	21 in (525 mm)	38.5 in (978 mm)	19.2 in (489 mm)	19.2 in (489 mm)
2451ANP	24 in (600 mm)	41.1 in (1043 mm)	20.5 in (522 mm)	20.5 in (522 mm)
3051ANP	30 in (750 mm)	50.5 in (1282 mm)	25.2 in (641 mm)	25.2 in (641 mm)



NOTE: ALL FITTINGS DIMENSIONS ARE FOR REFERENCE ONLY



DRAWING #:	13000	
DRAWN BY:	TJR	10/13/2016
APPROVED BY:		
REVISIONS:		